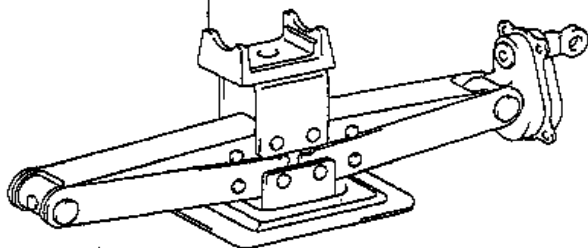
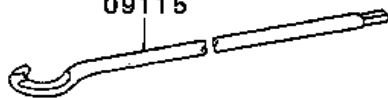


09110



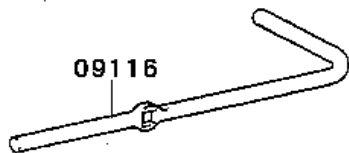
09115



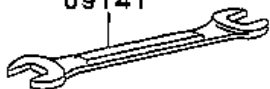
09120



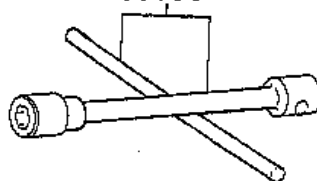
09116



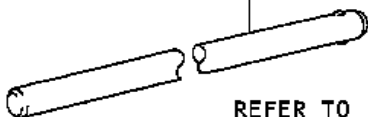
09141



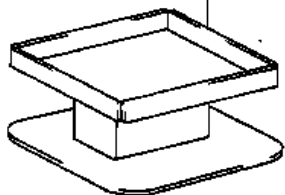
09150



09152

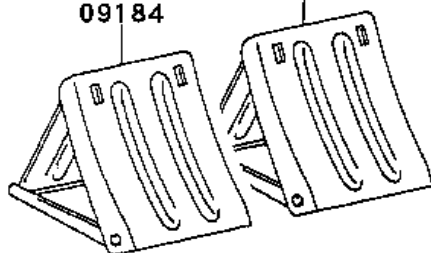


REFER TO
FIG 75-54
(PNC 51179A)

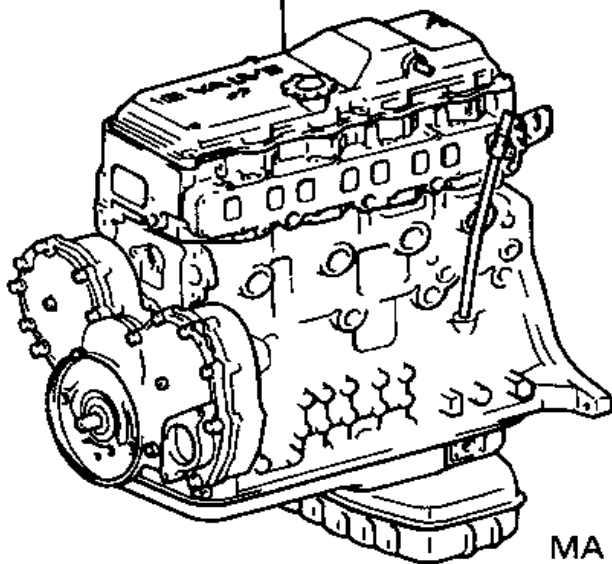


09184

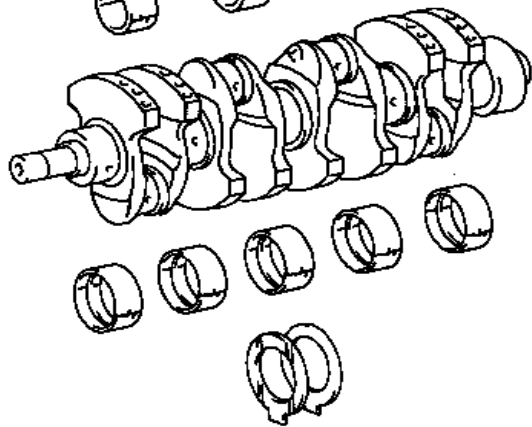
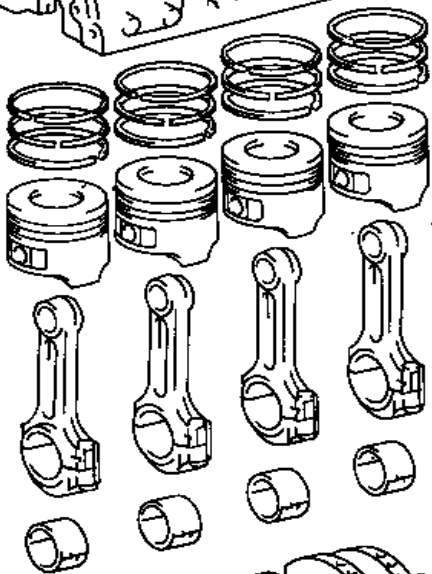
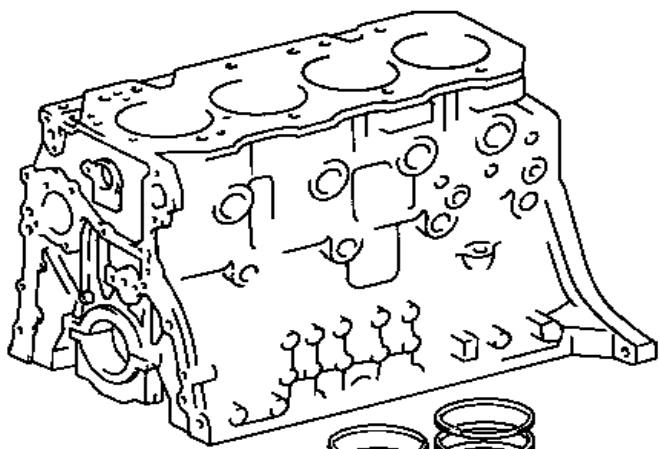
09184



11000

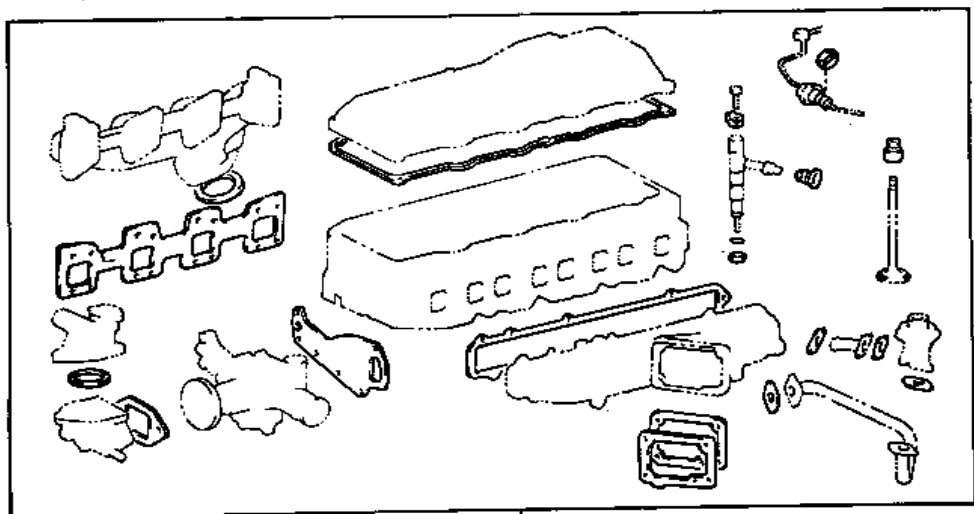


MA H788

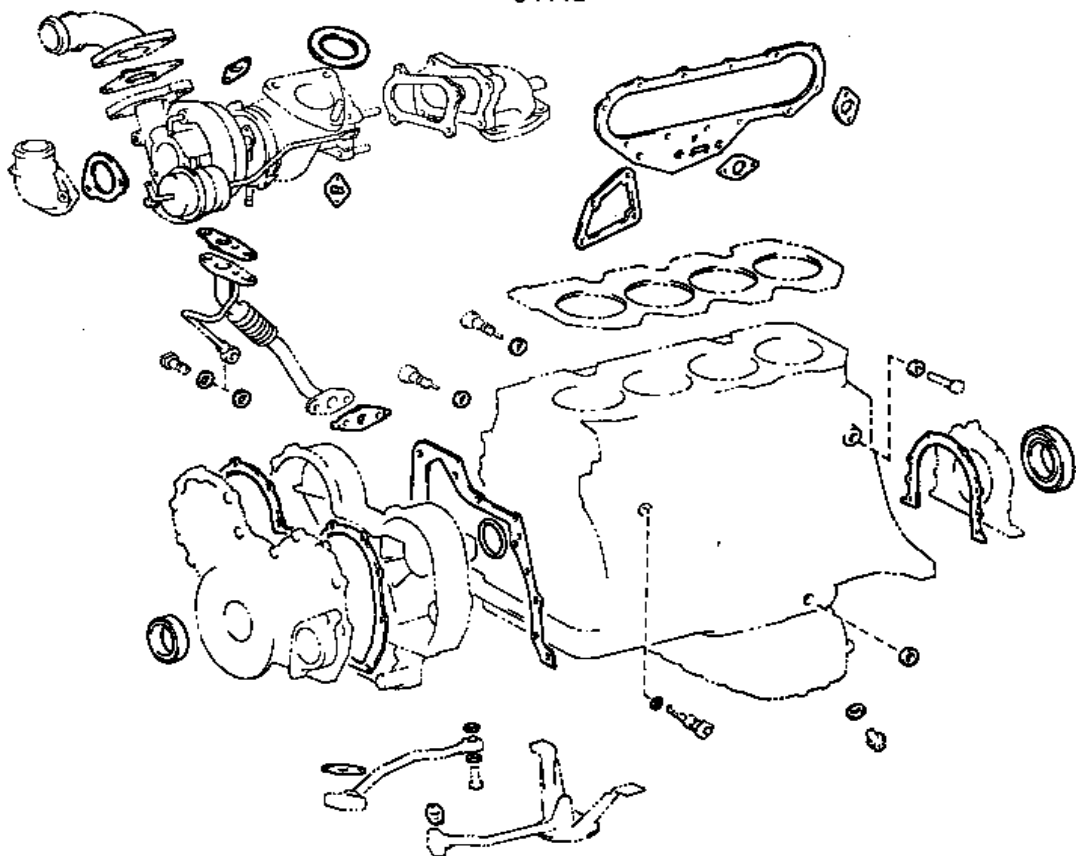


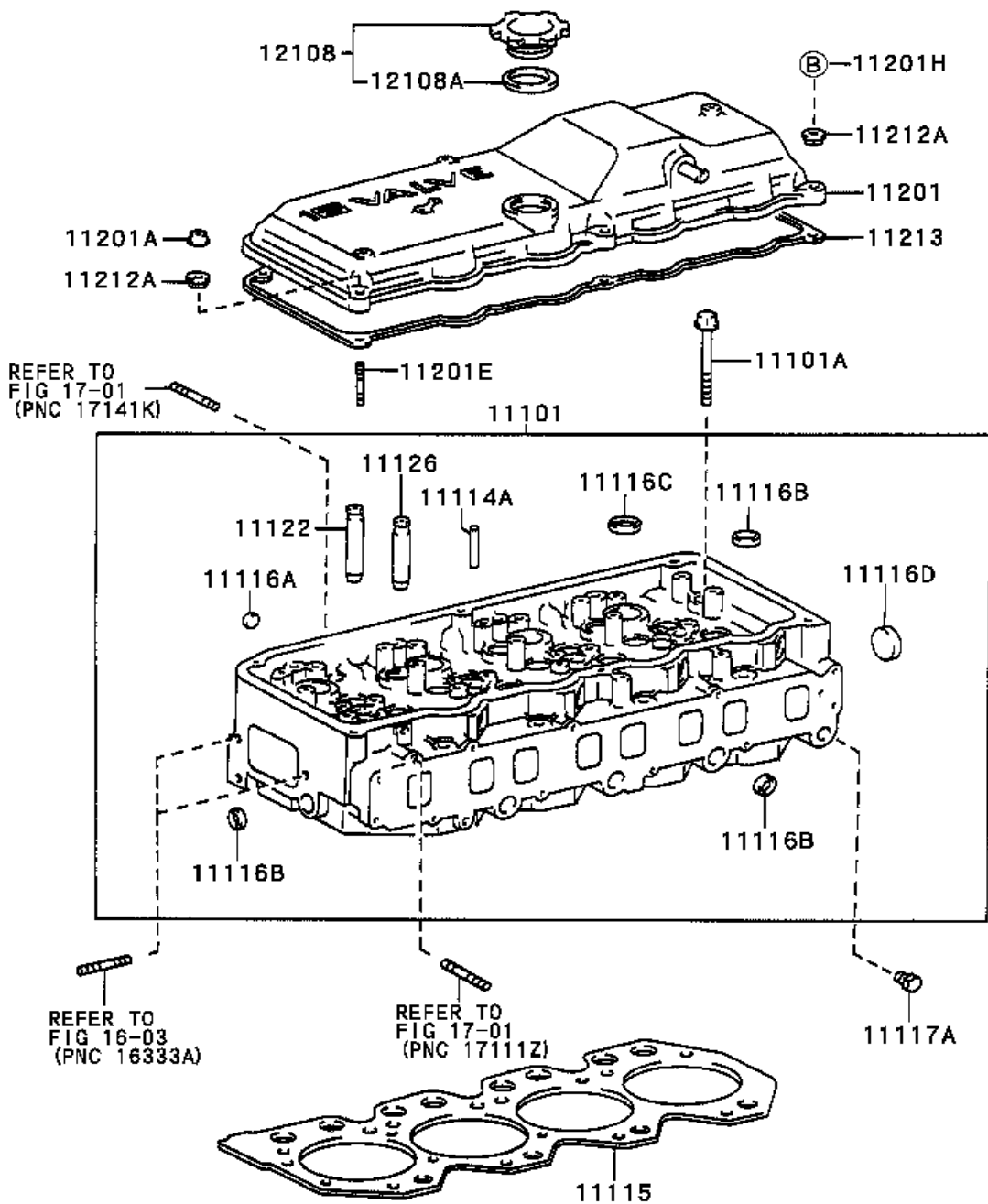
11400

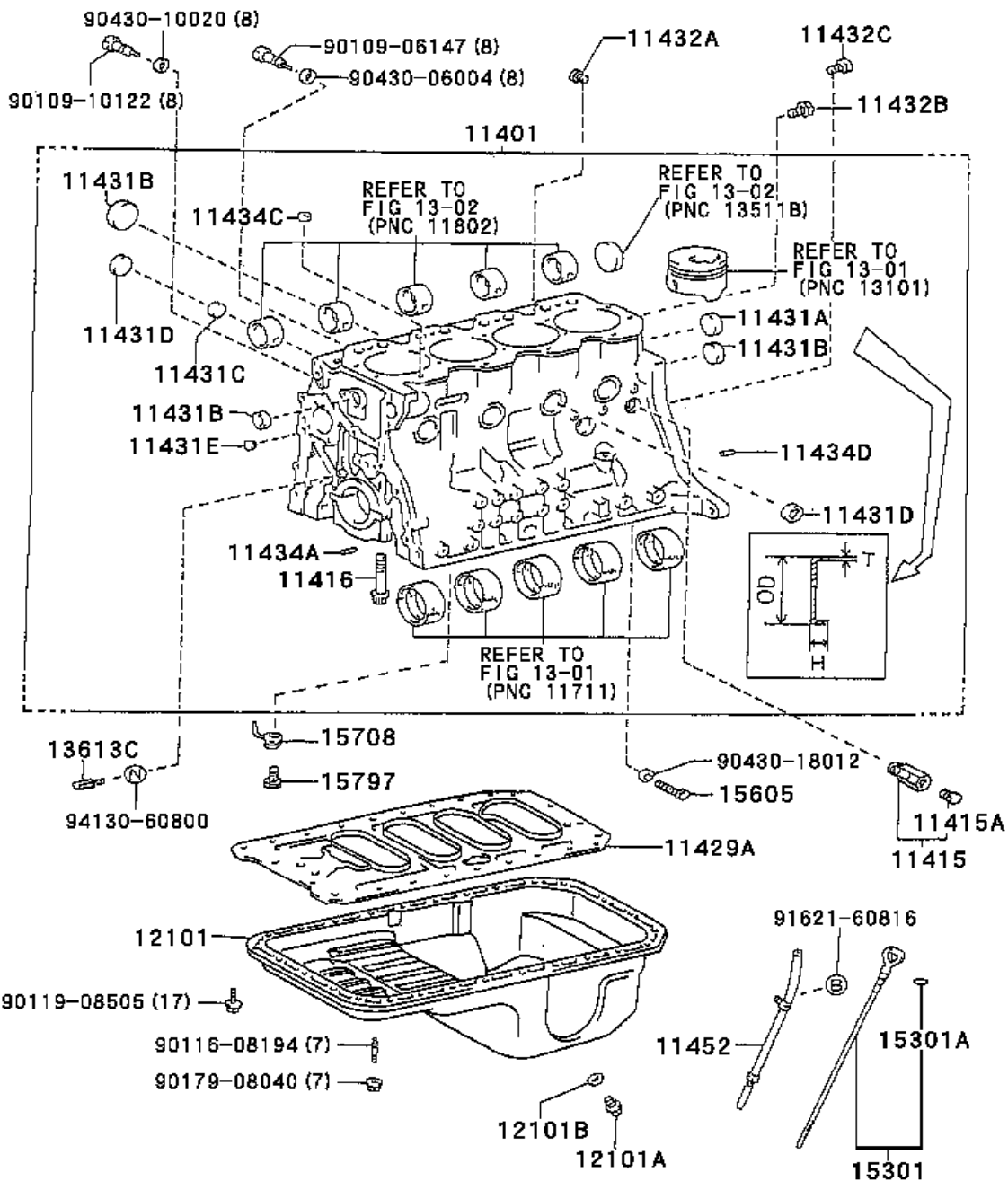
04111



04112







90179-08040 (2)

11320A

90116-08169 (2)

90381-08002 (2)

90480-16016 (2)

11336A

B

N

W

94613-10800 (2)

91622-61018 (2)

11301

11345

REFER TO FIG 15-01

11301A

11328

11302A

11302

11312

11301B

91611-60816

B

91622-61018 (2)

11355

11383

11381

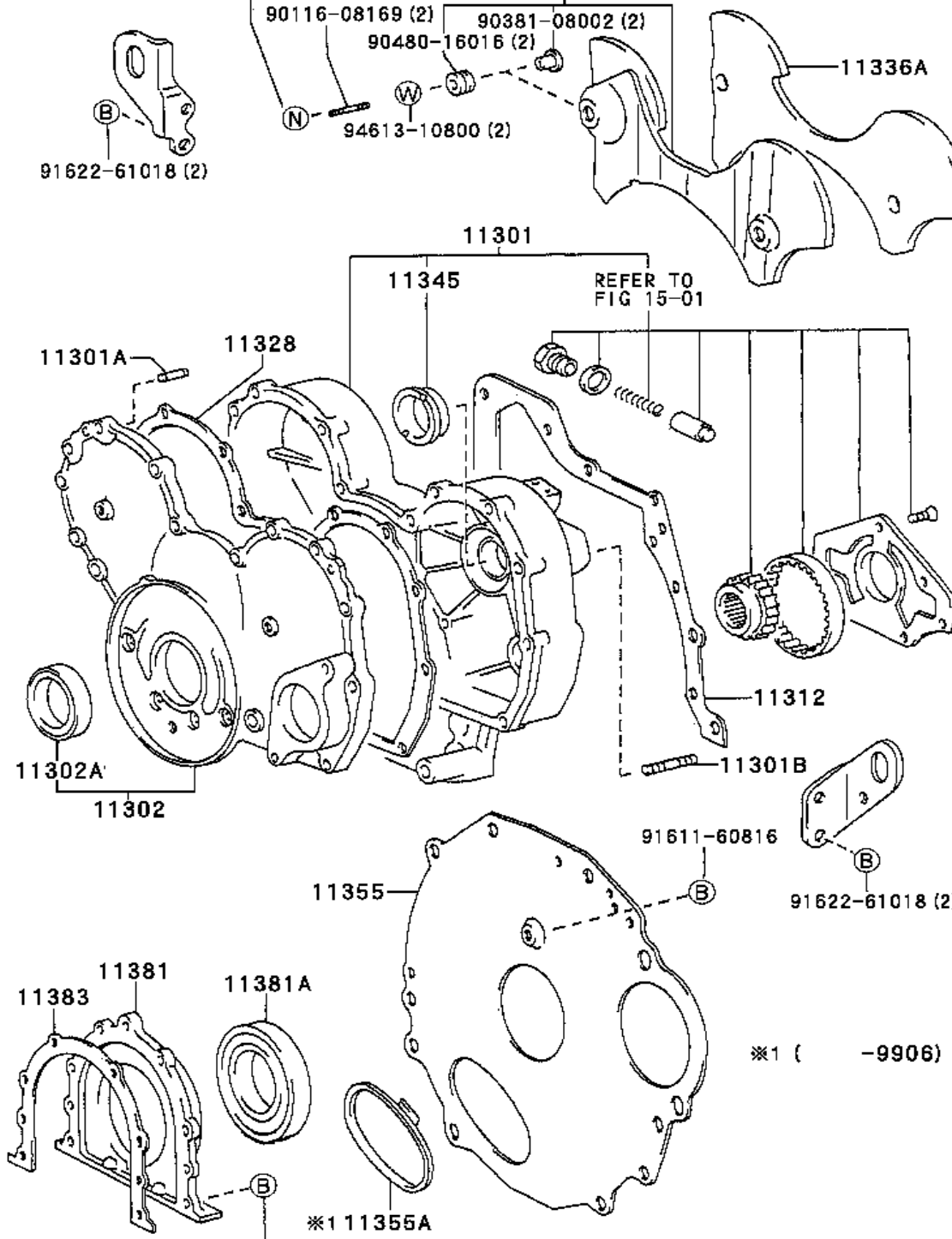
11381A

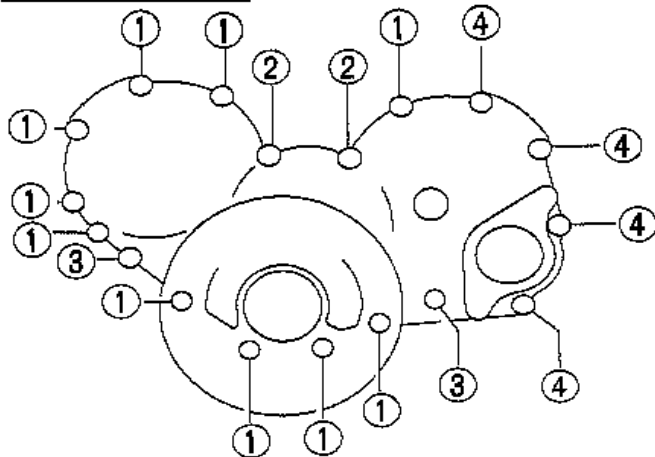
*1 (-9906)

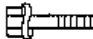
*1 11355A

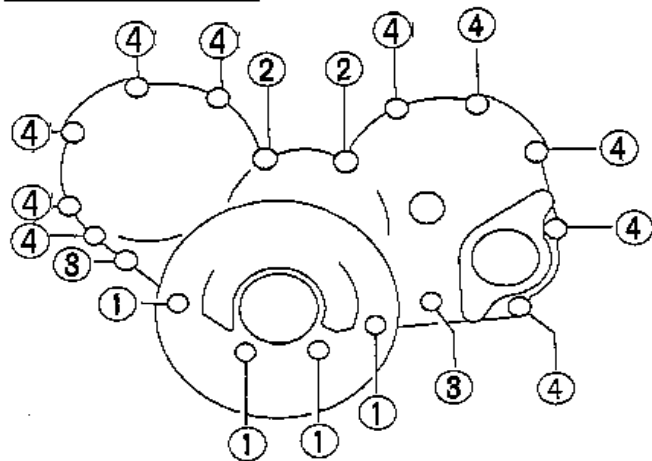
91621-60825 (6)

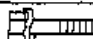
111386

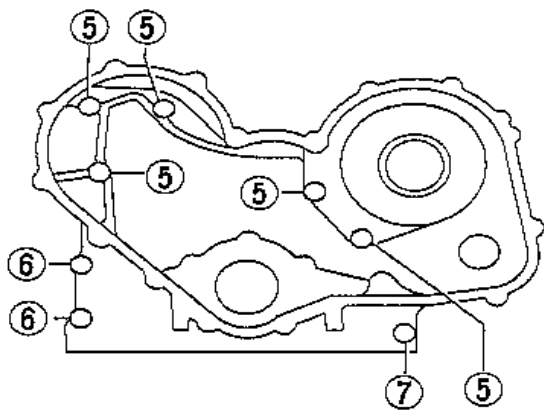




①	Ⓟ	91511-60835 (10)
②		90105-08267 (2)
③	Ⓟ	91512-61080 (2)
④	Ⓟ	91511-60840 (4)

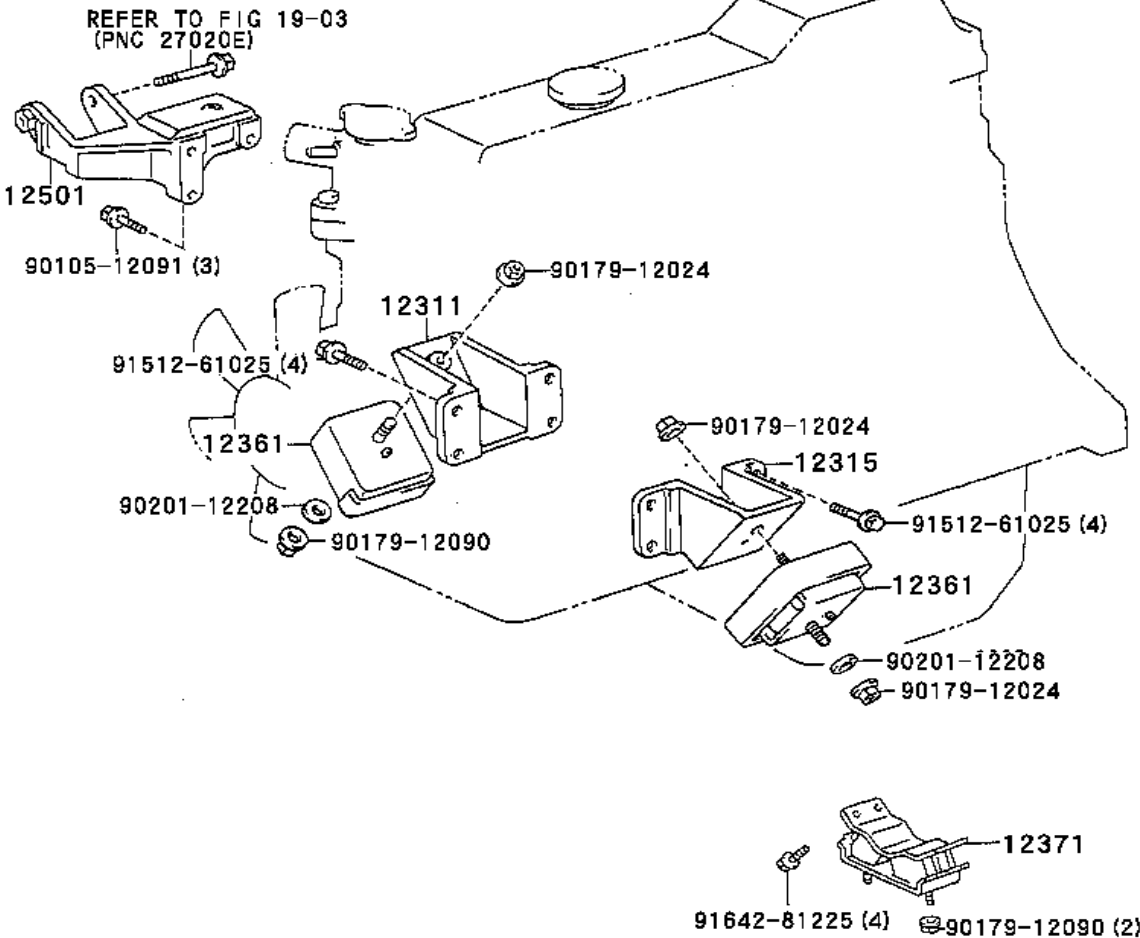
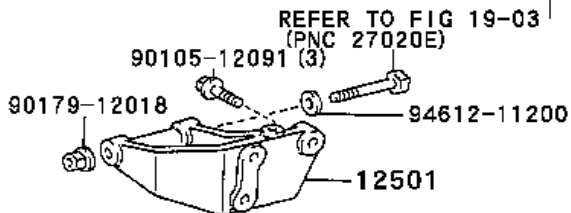


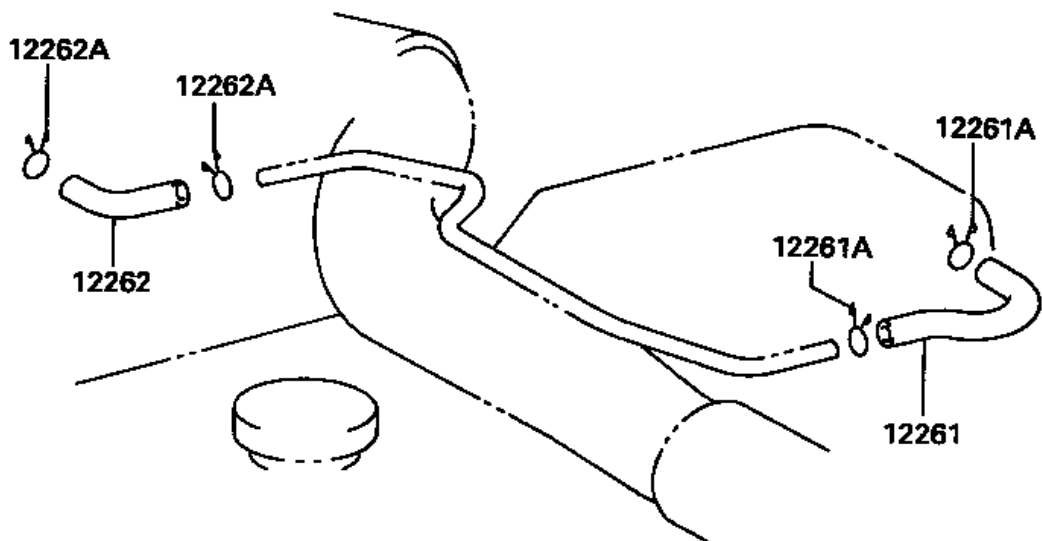
①	Ⓟ	91511-60835 (4)
②		90105-08267 (2)
③	Ⓟ	91512-61080 (2)
④	Ⓟ	91511-60840 (10)



⑤	Ⓟ	91621-60825 (5)
⑥	Ⓟ	91512-61060 (2)
⑦	Ⓟ	91512-61085

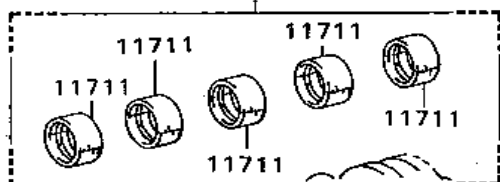
ALTERNATOR (24V-85A)



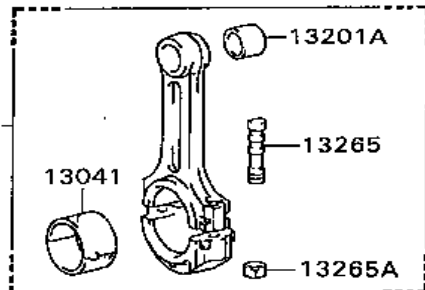
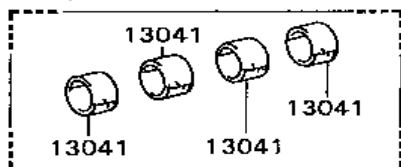
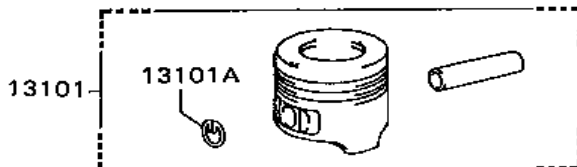
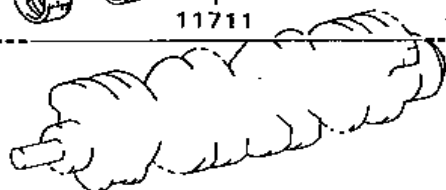
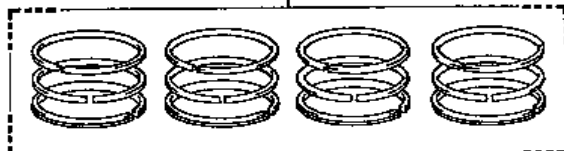


MA J904

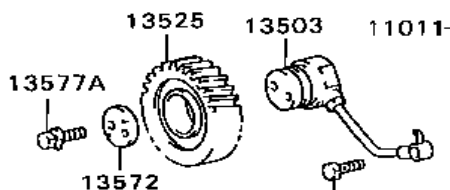
11702



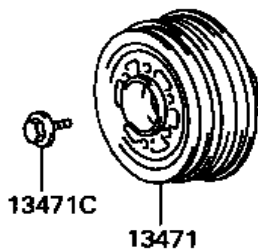
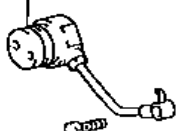
13011



13202

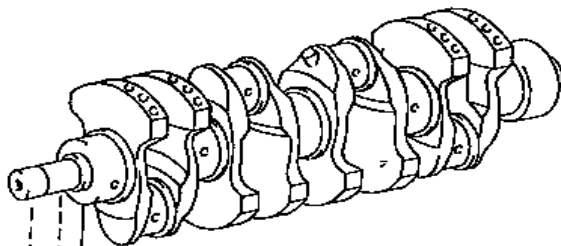


13707A



13521

13434

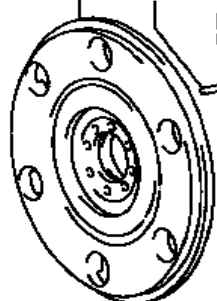


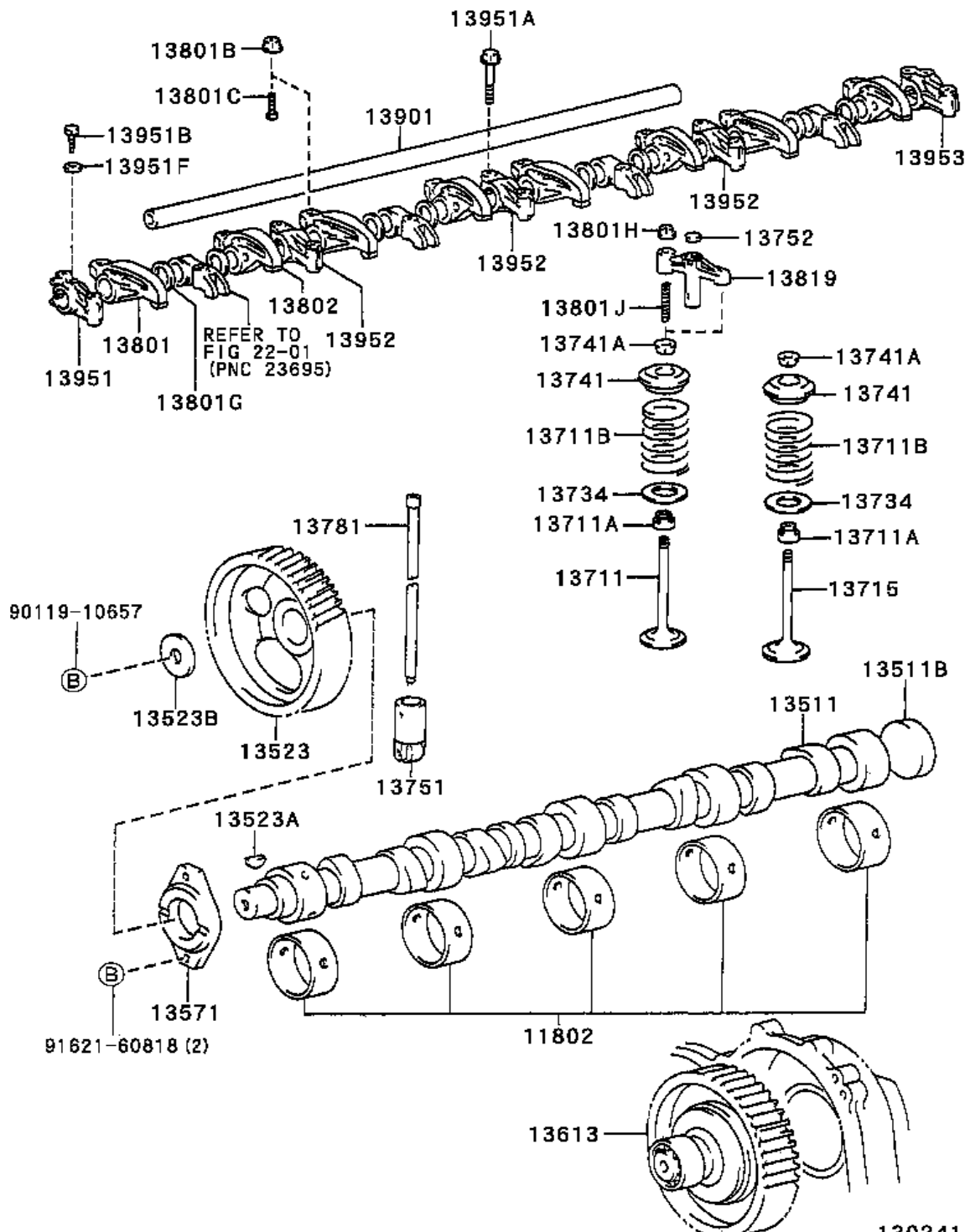
13411

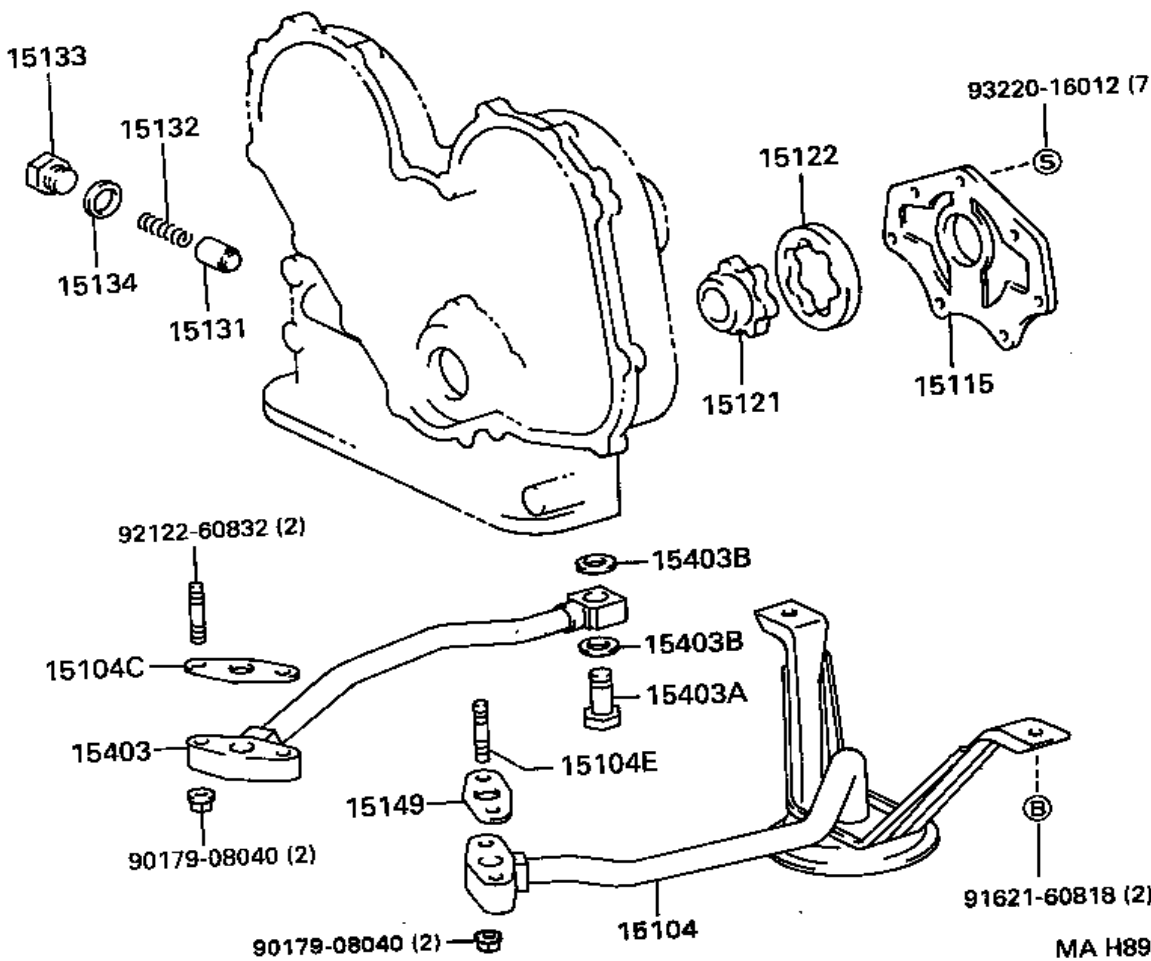
13471A
13521A

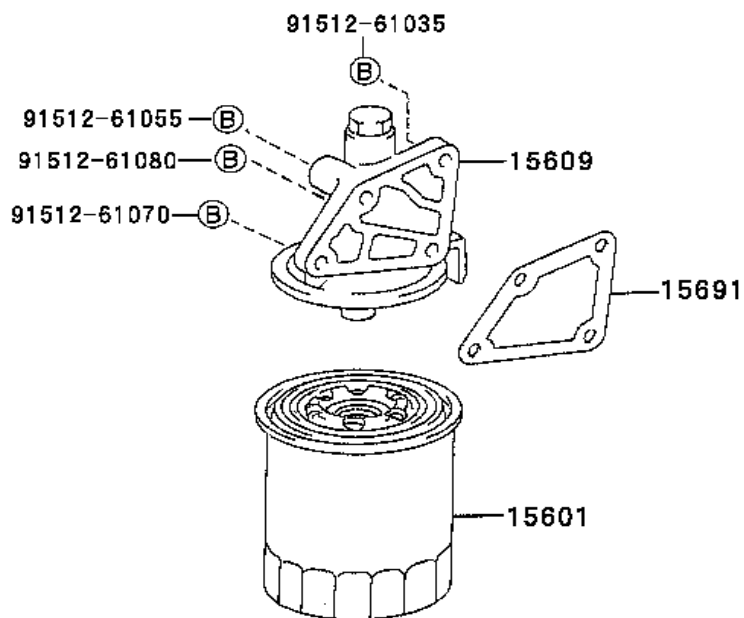
13405

13405A

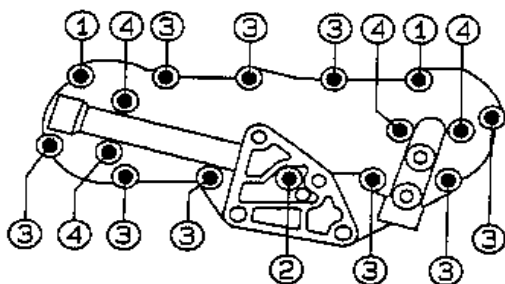
Refer to FIG. 35-0
(PNC 32101C)



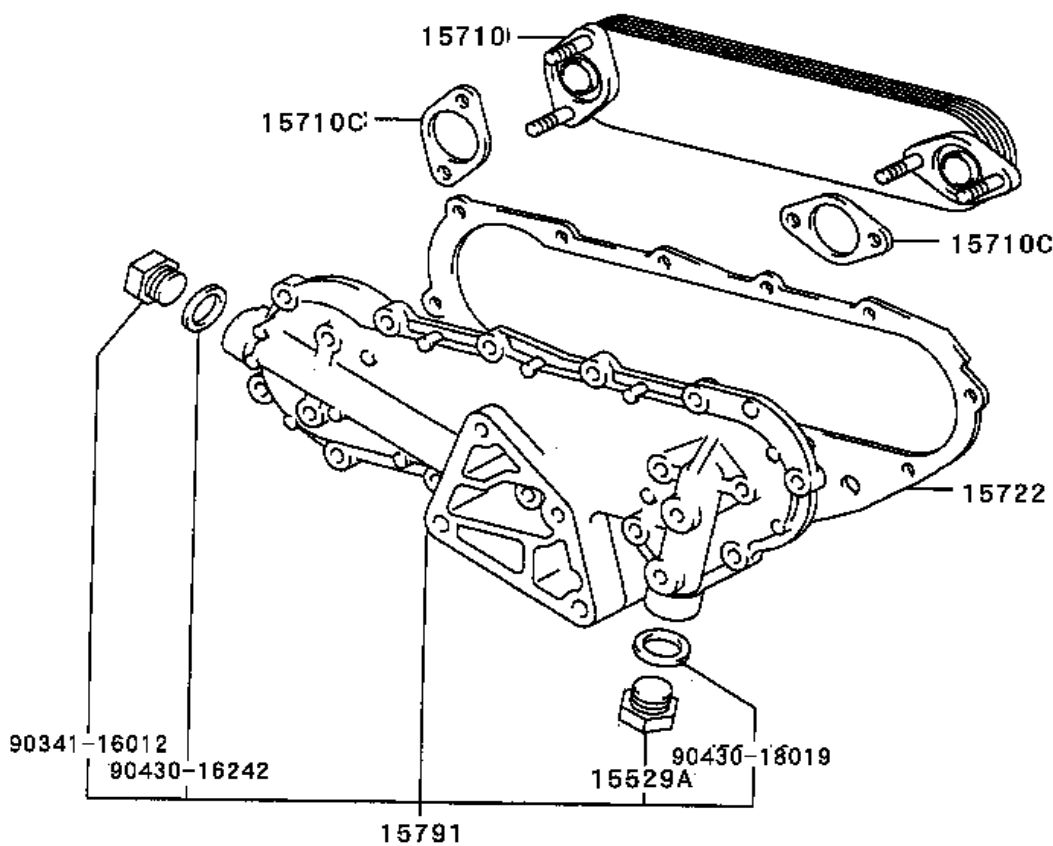


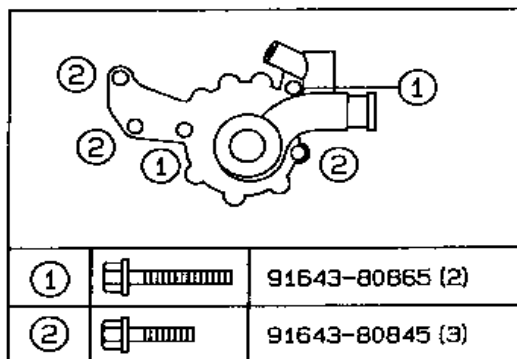
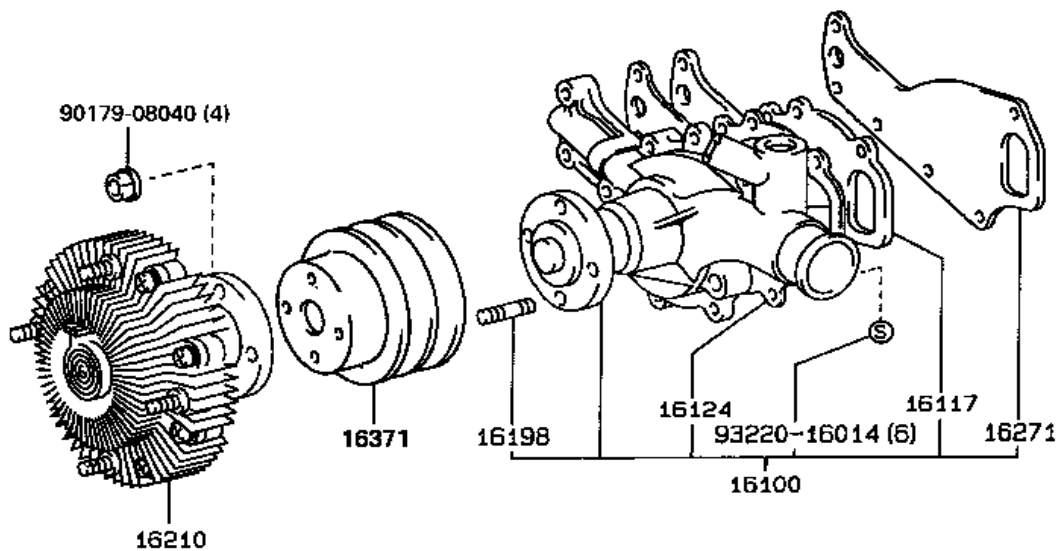


150501

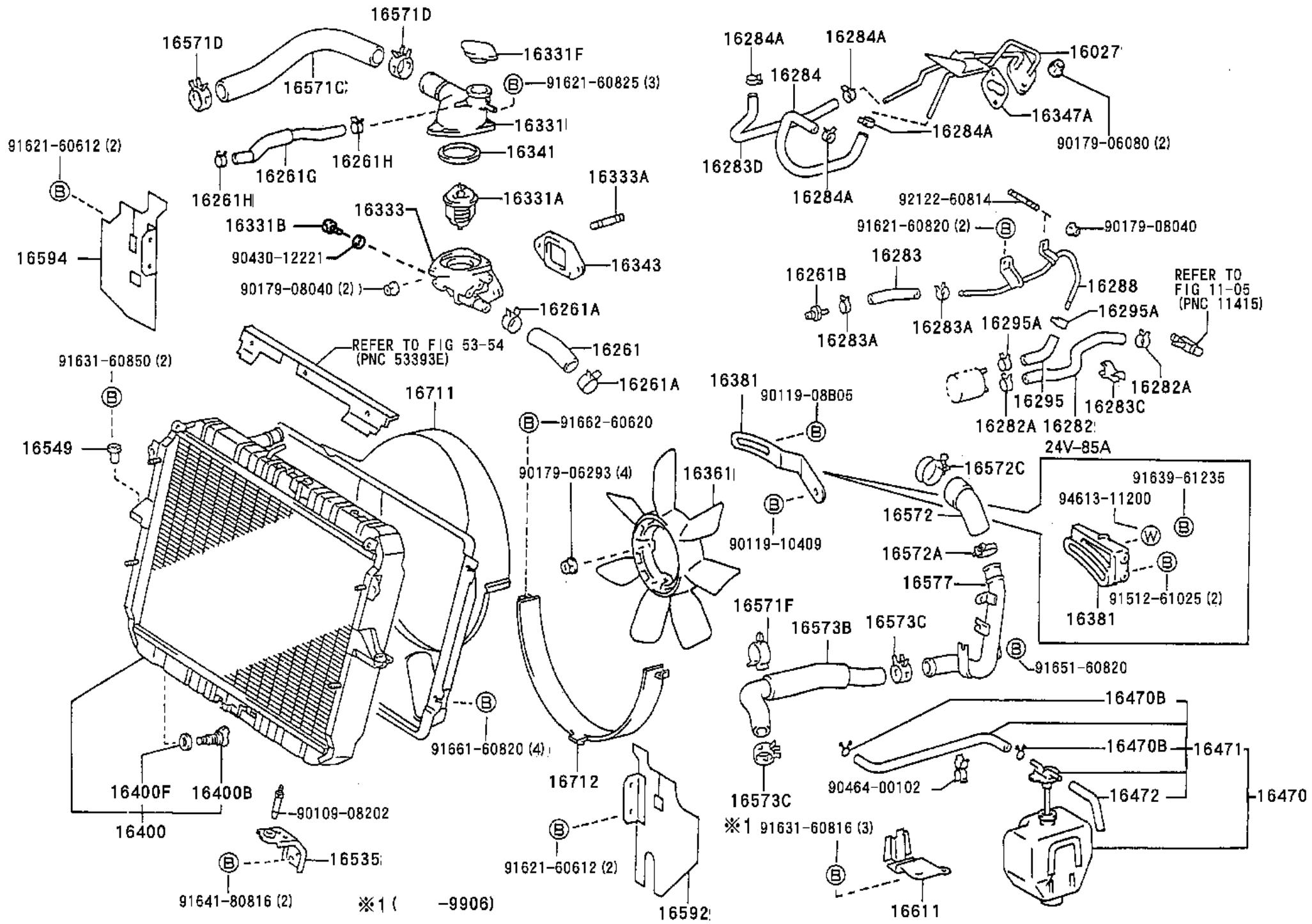


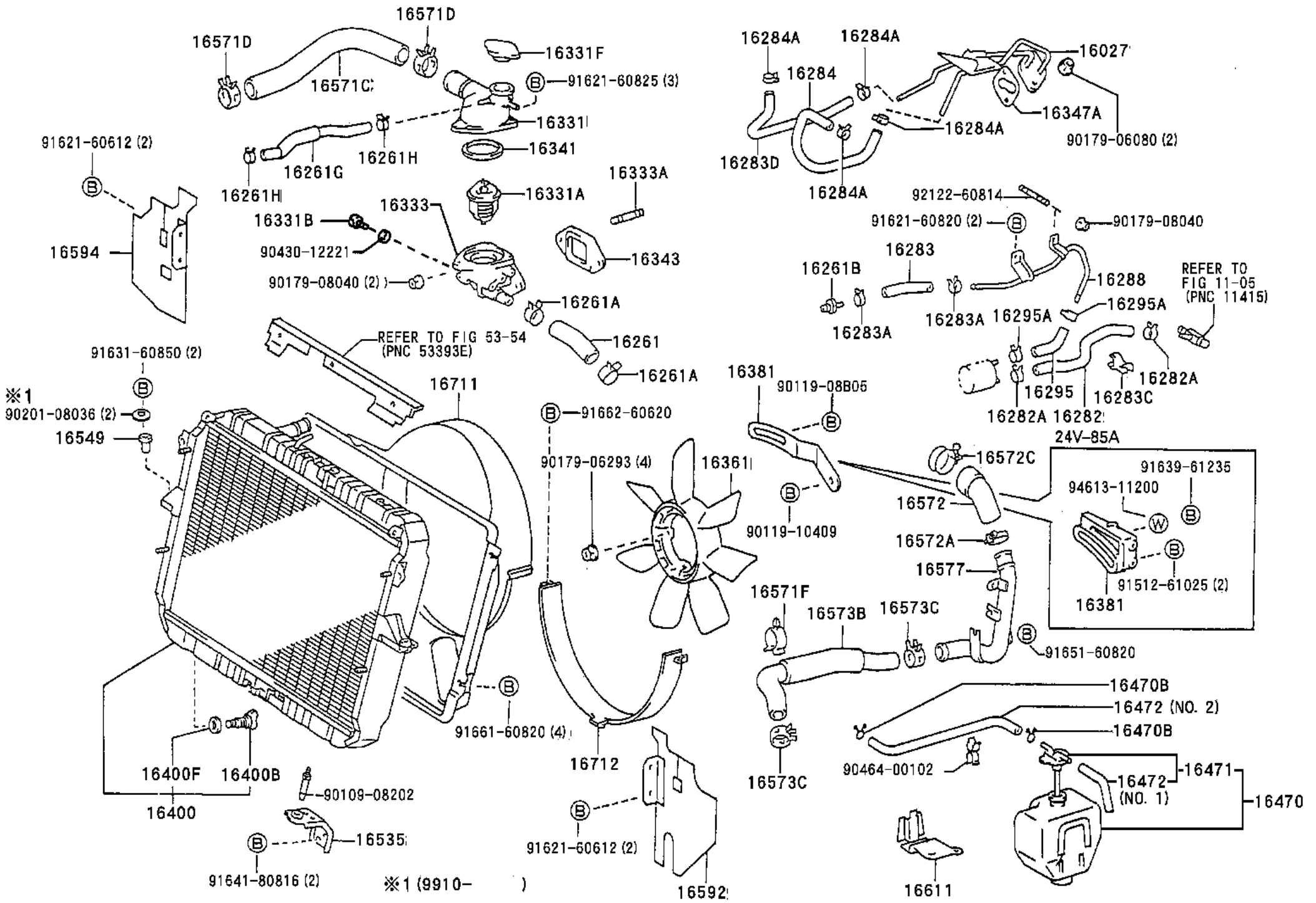
①	Ⓝ	90179-08040 (3)
		92122-80828 (3)
②		90110-08004
	Ⓜ	94531-00800
③	Ⓟ	91511-80830 (8)
④	Ⓝ	90179-08040 (4)



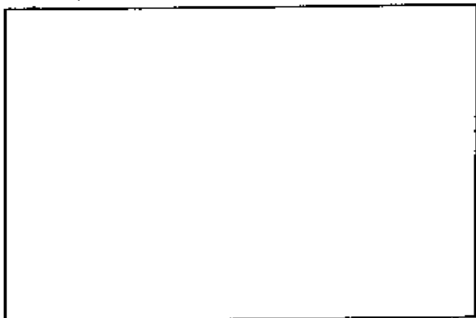
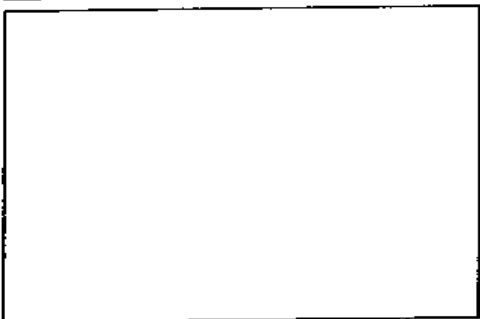
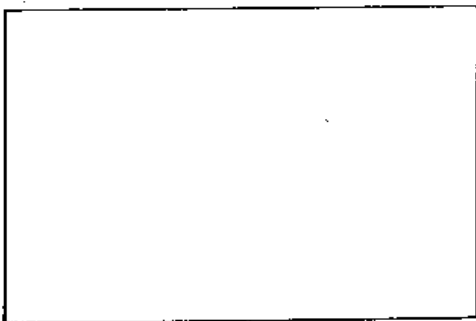
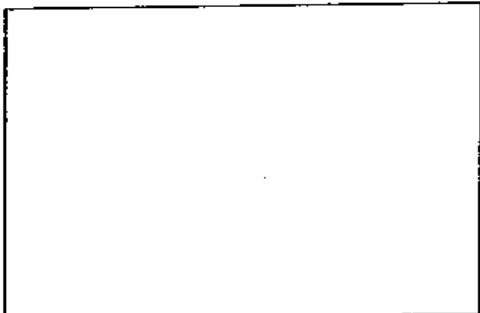
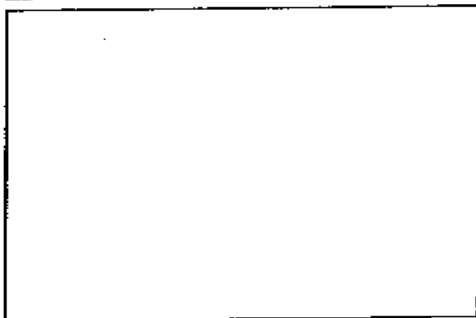
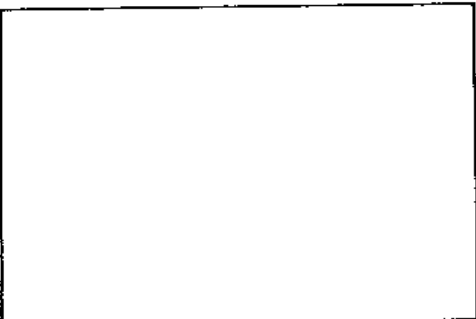
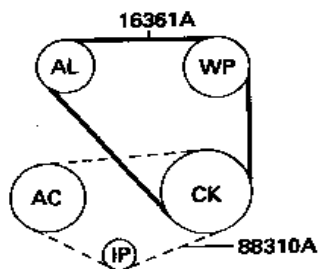


MA J909

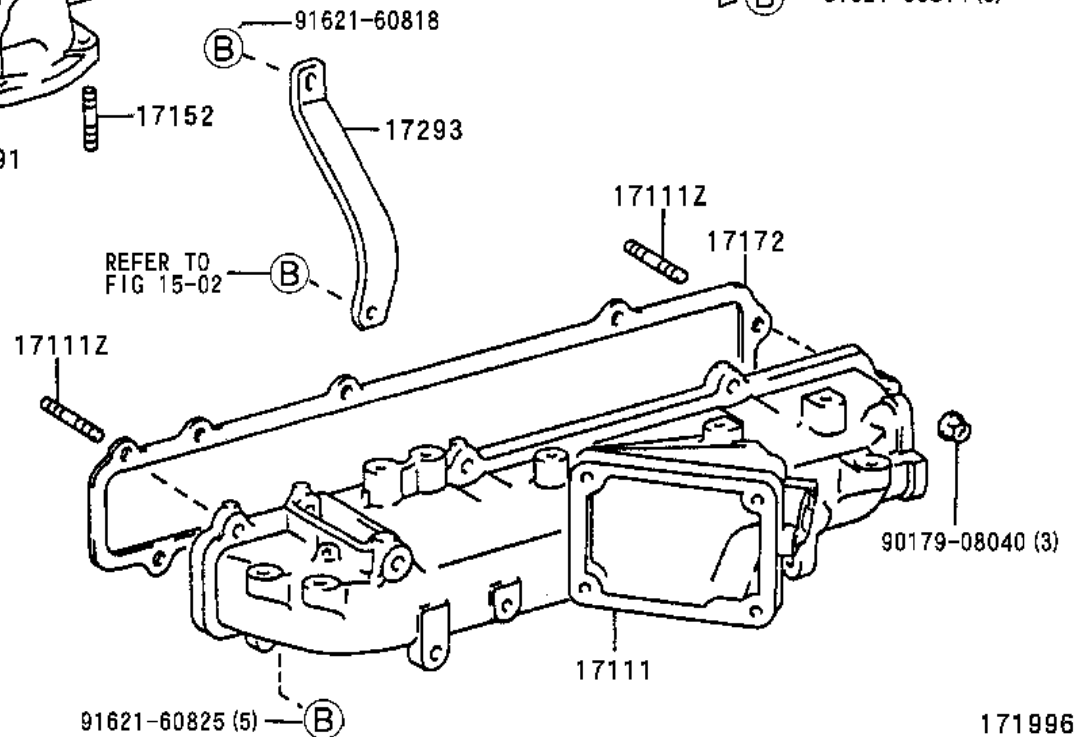
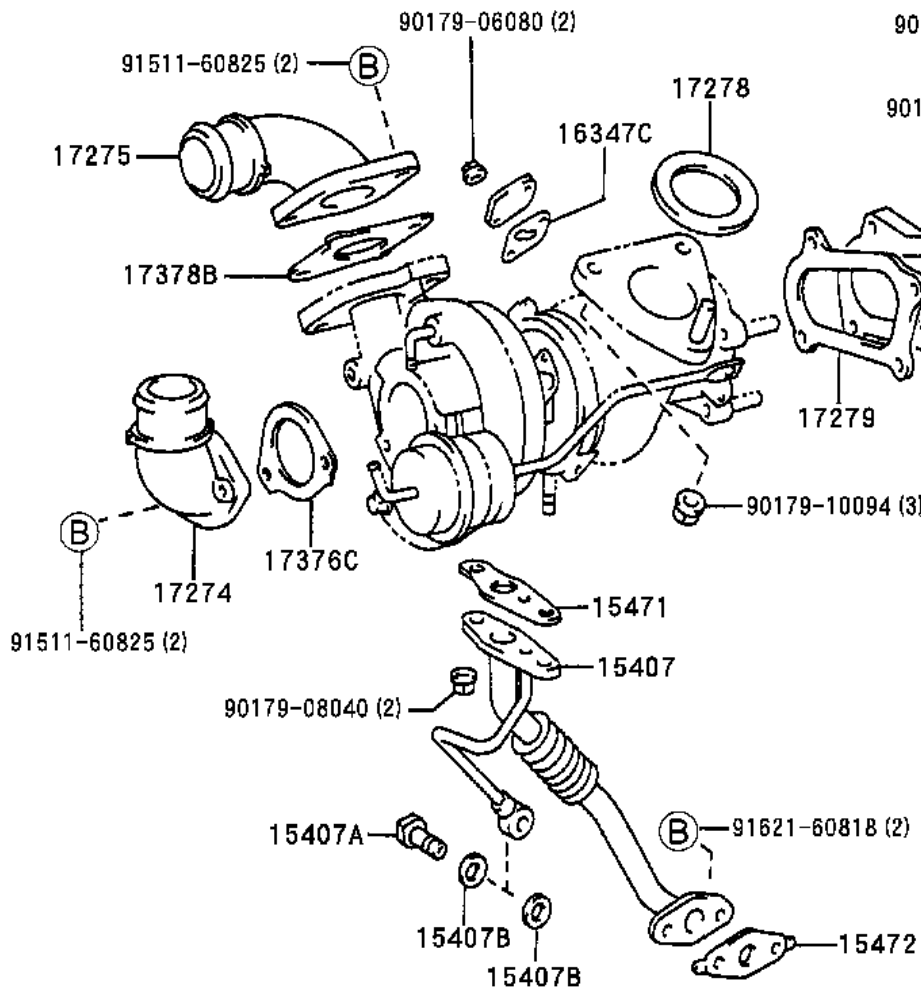
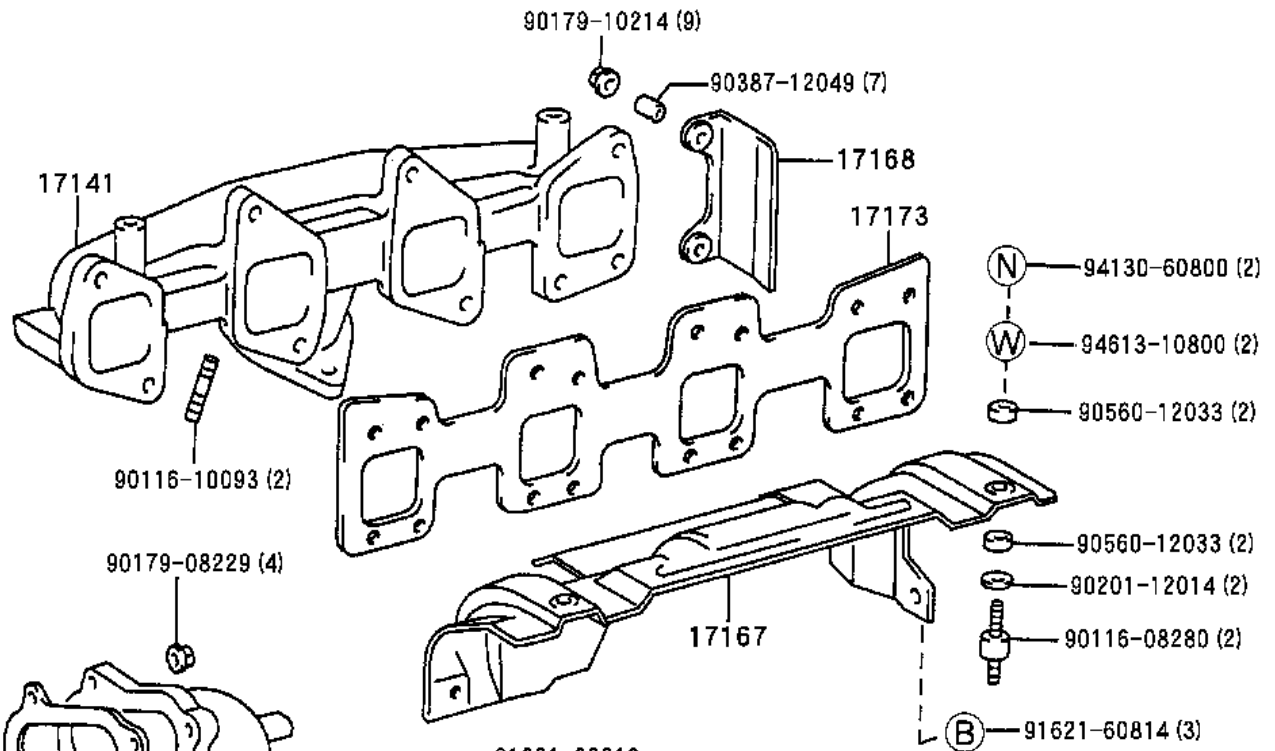
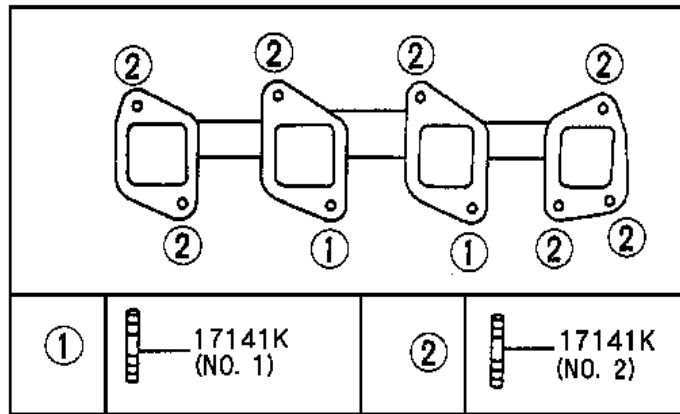




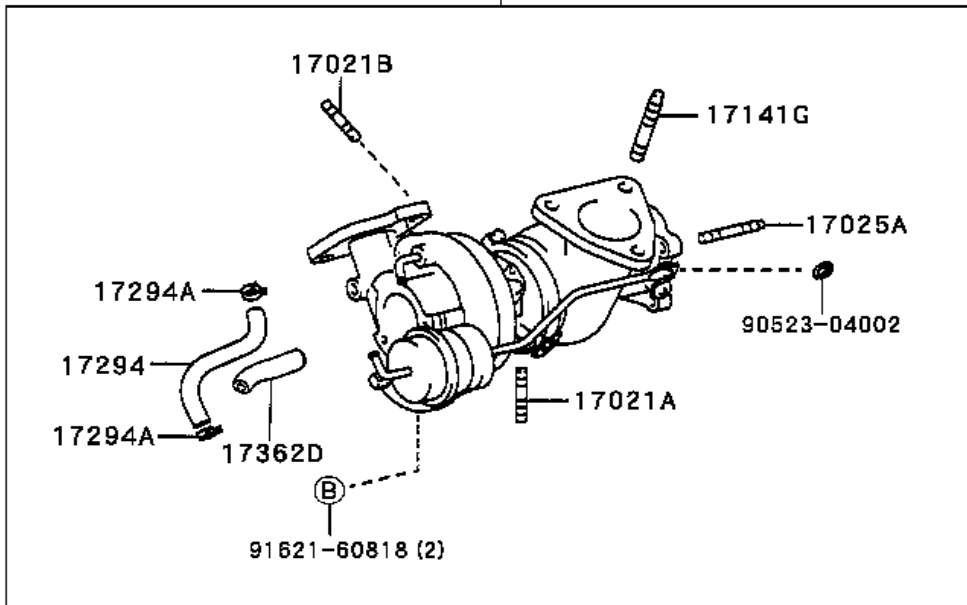
15BFT



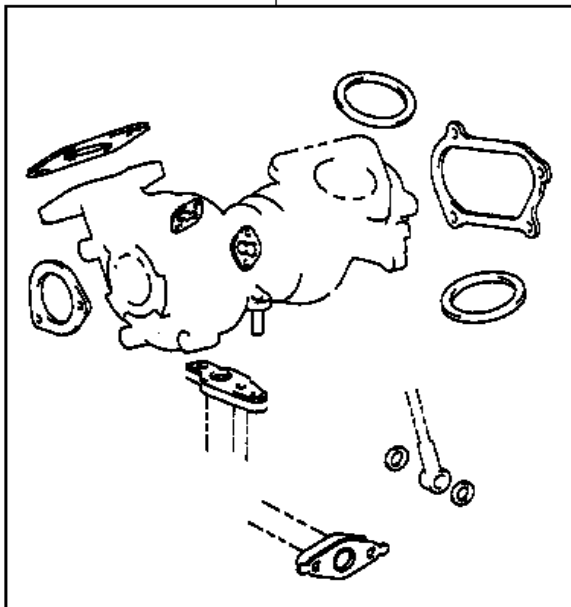
**AC : Air Compressor
AL : Alternator
CK : Crankshaft
IP : Idle Pulley
VP : Vane Pump
WP : Water Pump**



17201

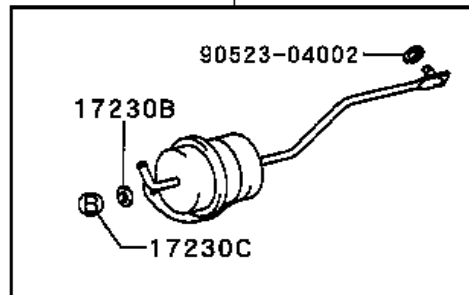


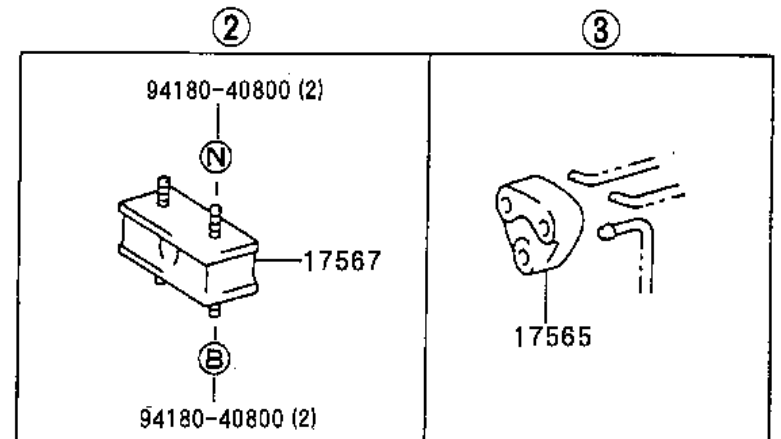
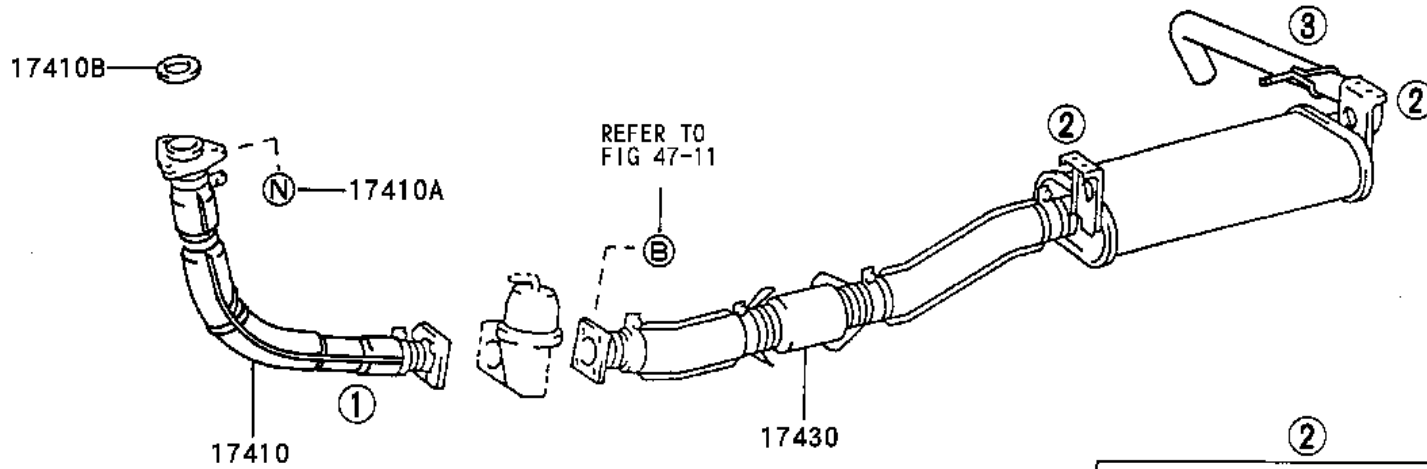
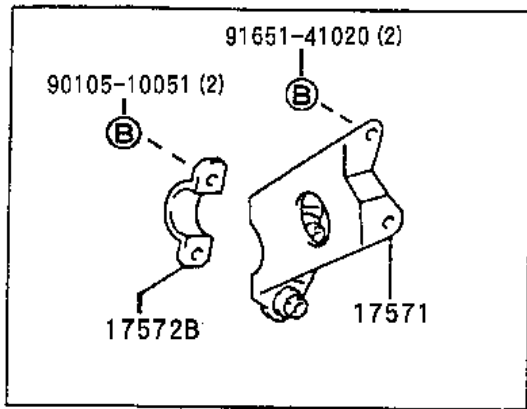
04175

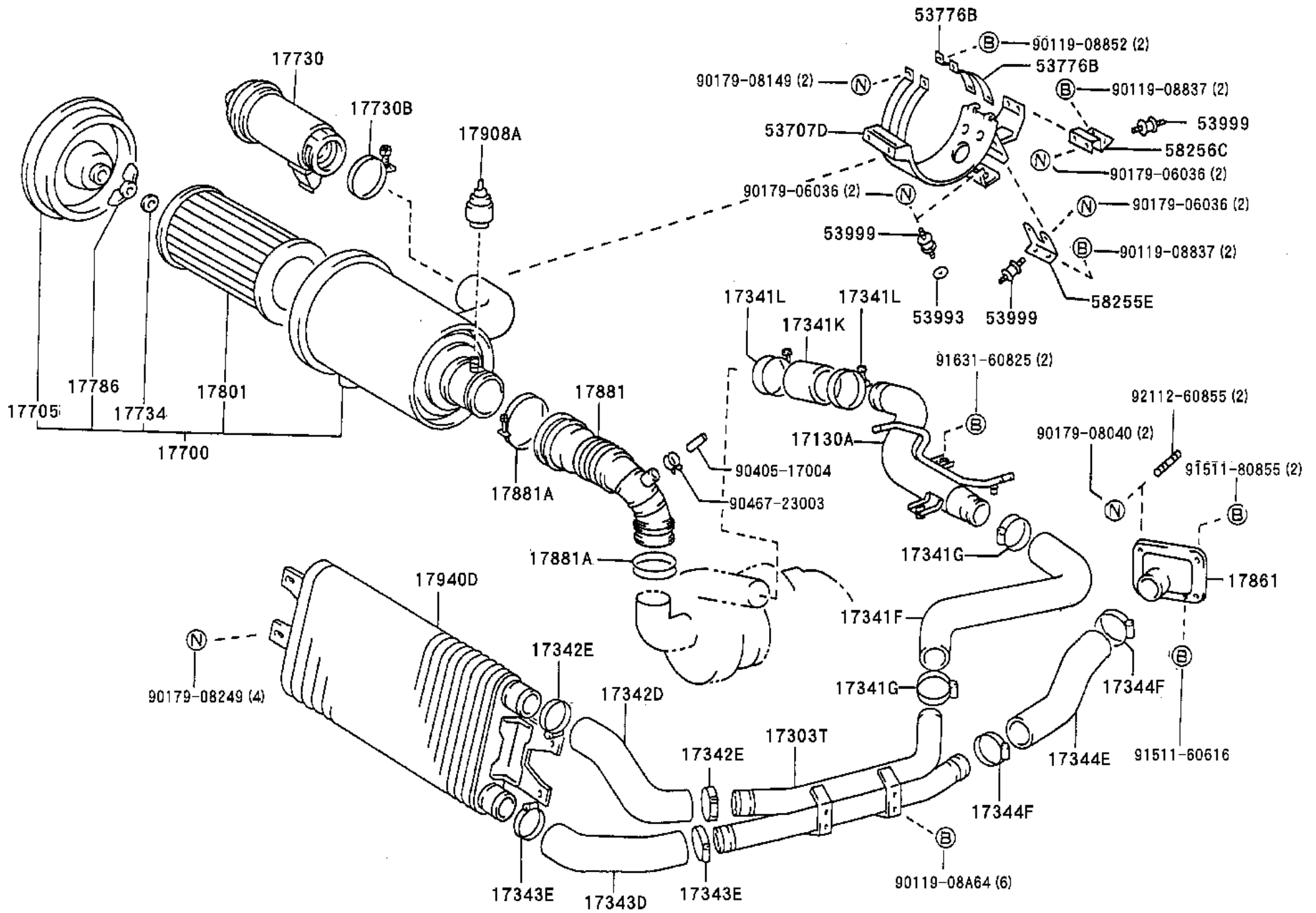


17230A

REPAIR PARTS





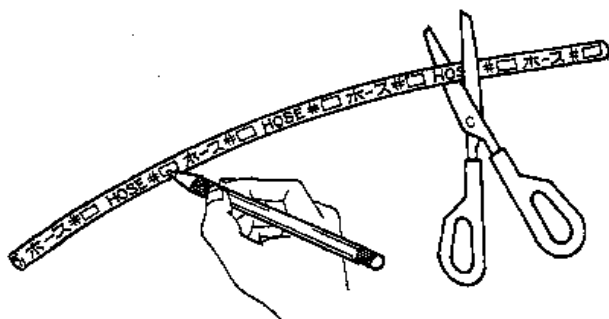
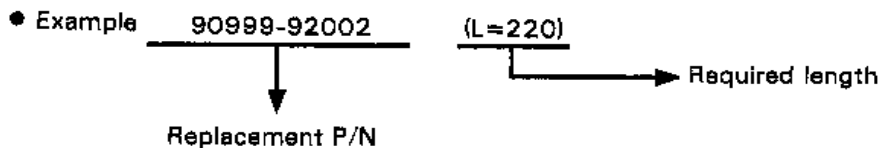


Vacuum Hose Supply Method

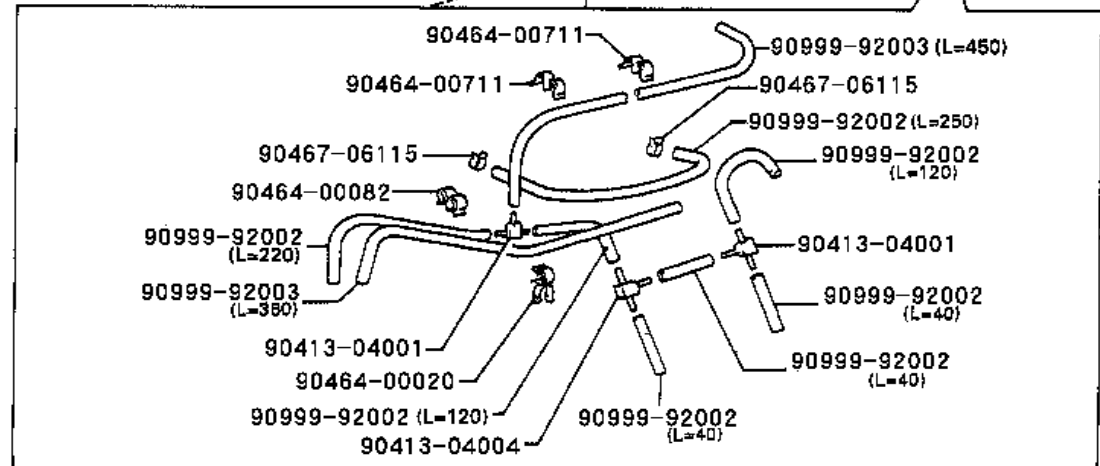
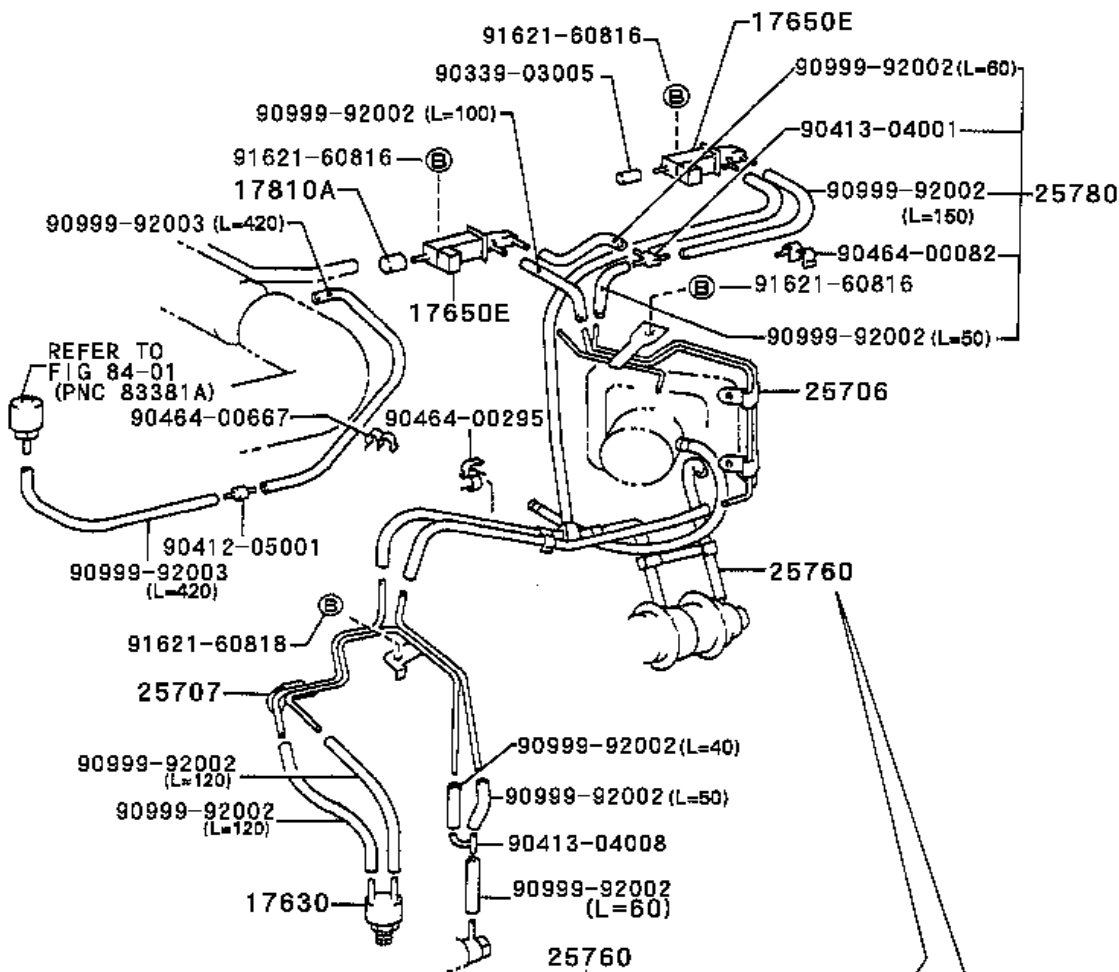
Supply of Vacuum Hose is determined in length specified below.

Necessary Length	Part Number	Length available
Below 300 mm	90999-92002	300 mm
301 to 600 mm	90999-92003	600 mm
601 to 950 mm	90999-92004	950 mm
951 to 1300 mm	90999-92006	1300 mm
1301 to 1650 mm	90999-92007	1650 mm
1651 to 2600 mm	90999-92008	2600 mm

1. Actual replacement to vehicle could be made by cutting the hose into desired length.
2. Unlike the vacuum hose already installed in the vehicle, this replacement vacuum hose does not have the hose number printed on it. Accordingly, before installing this vacuum hose, write on it the same hose number as that written on the vacuum hose to be removed as shown below.



1. As hose is supplied in 300 mm length, cut off excess to meet desired length of 220 mm.
2. Using an oil-based marking pen or a ball-point pen, write the hose number at both ends of the hose, in accordance with the original hose number.



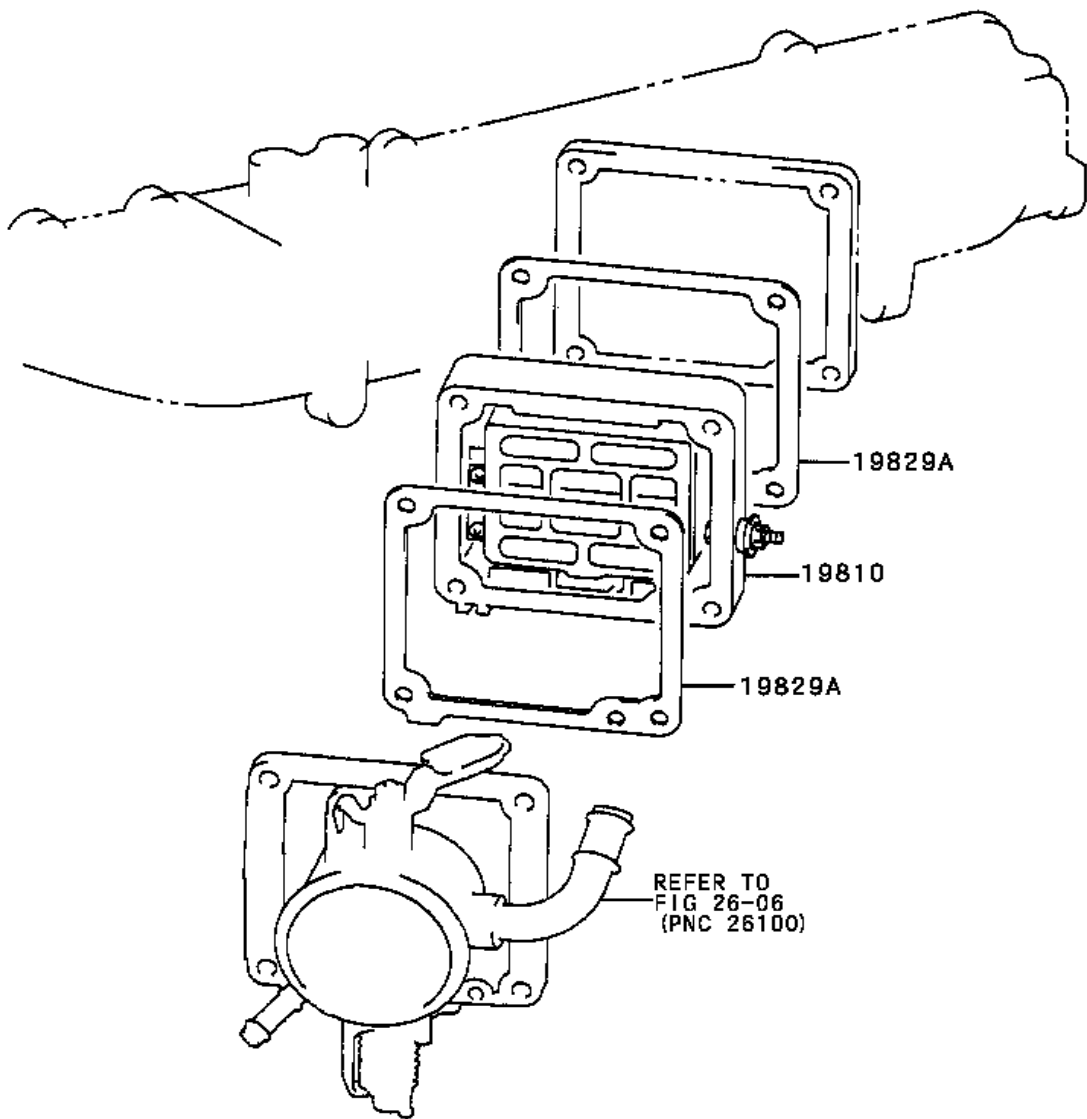
11293



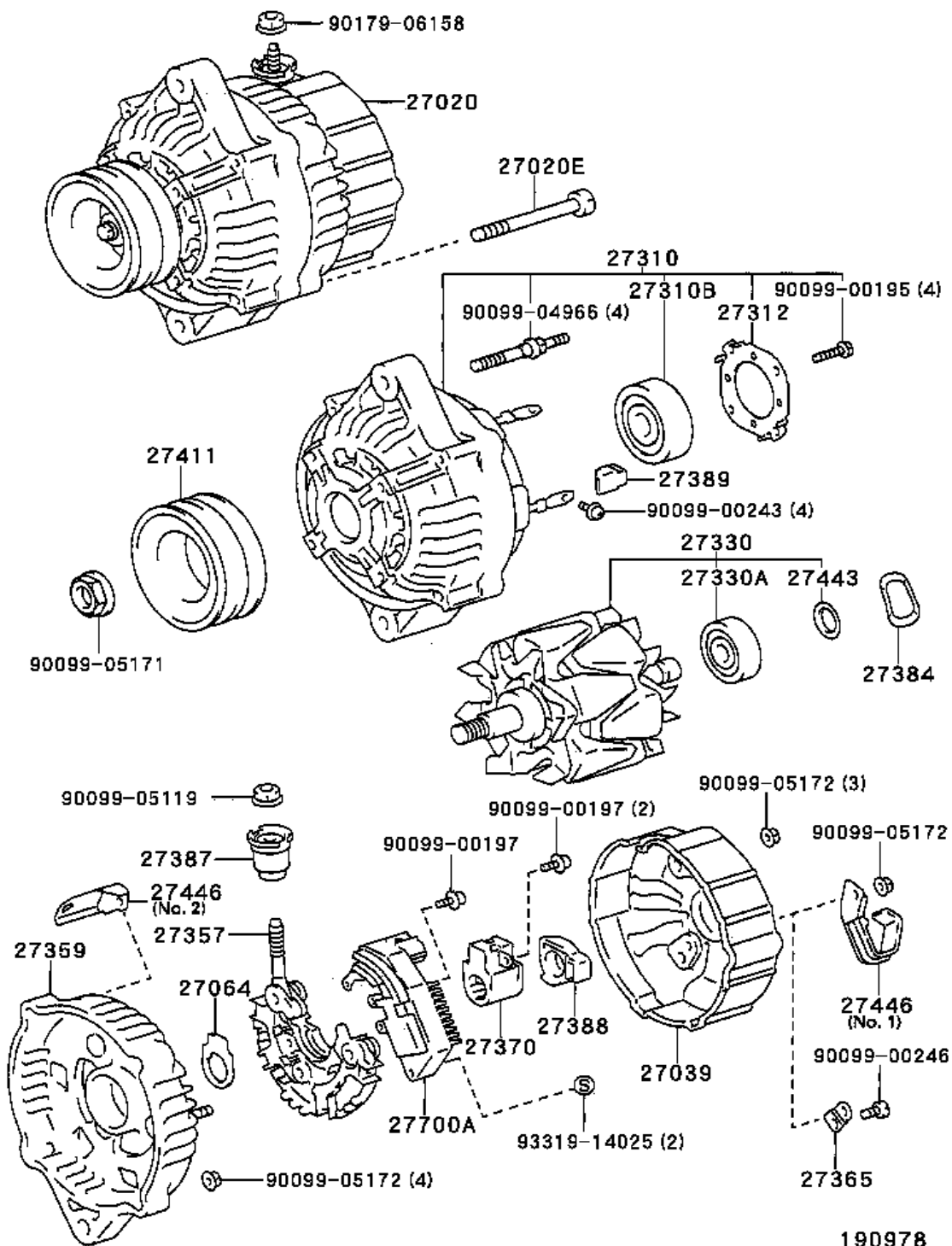
11284

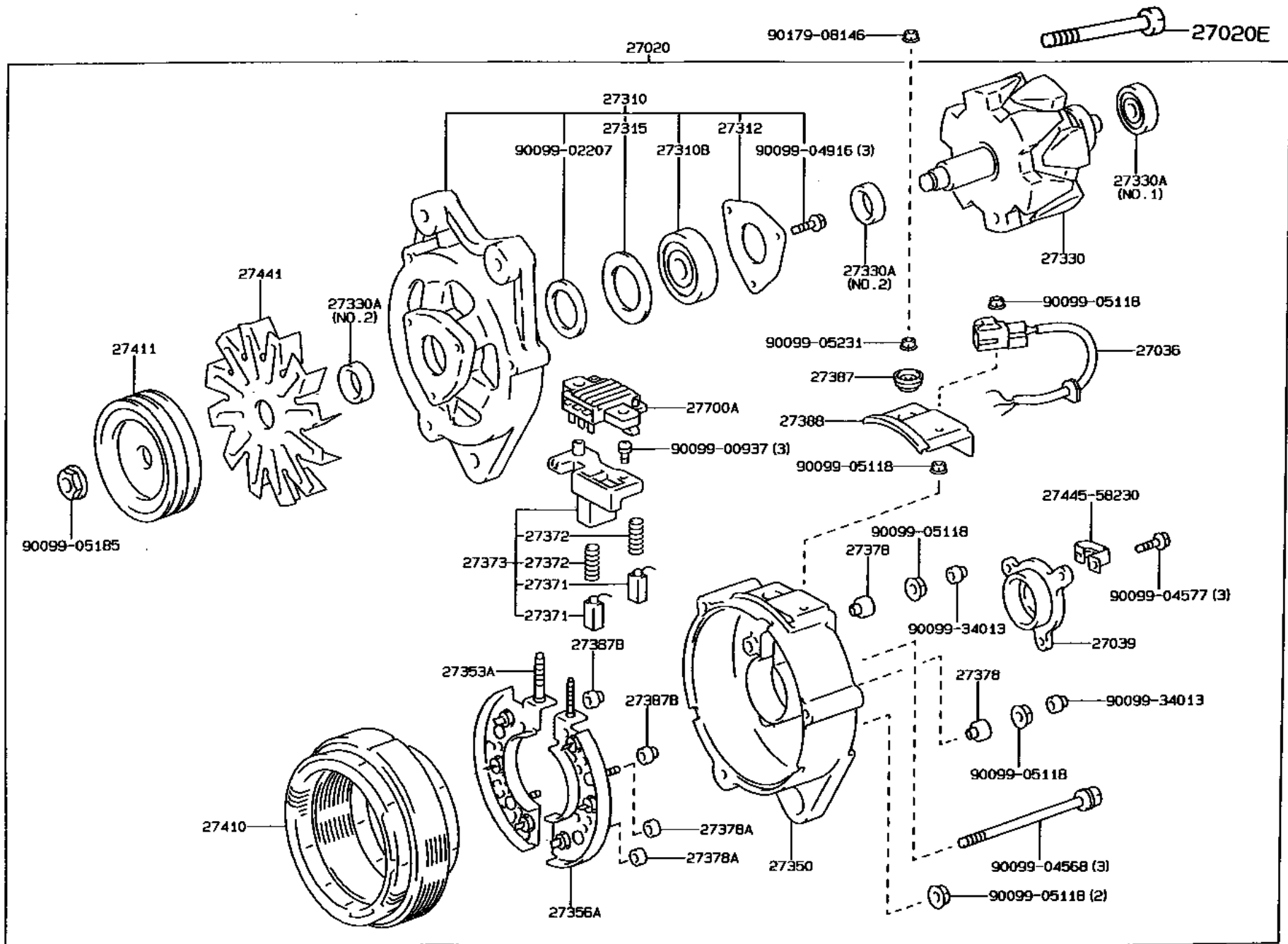


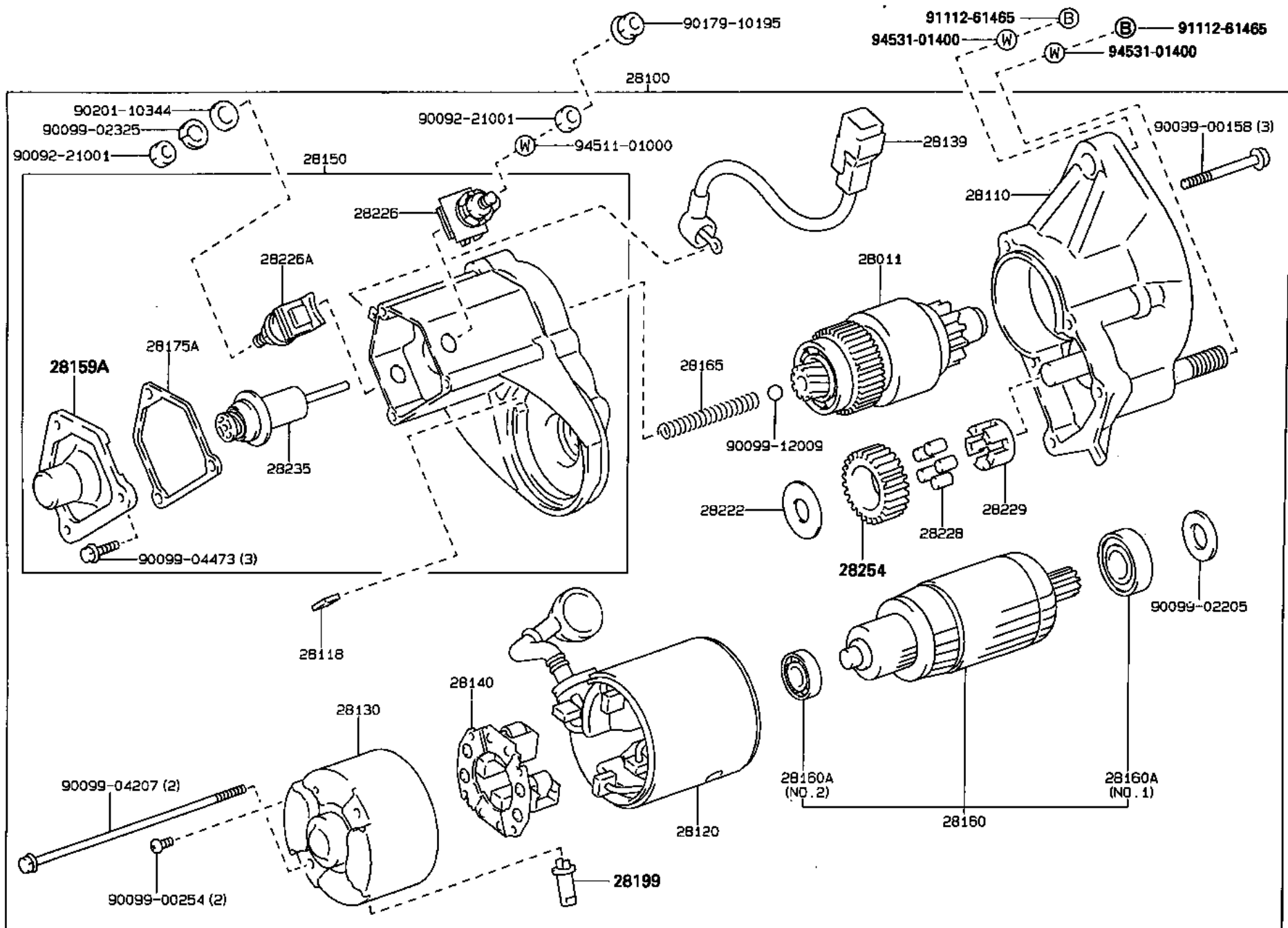
MA K530

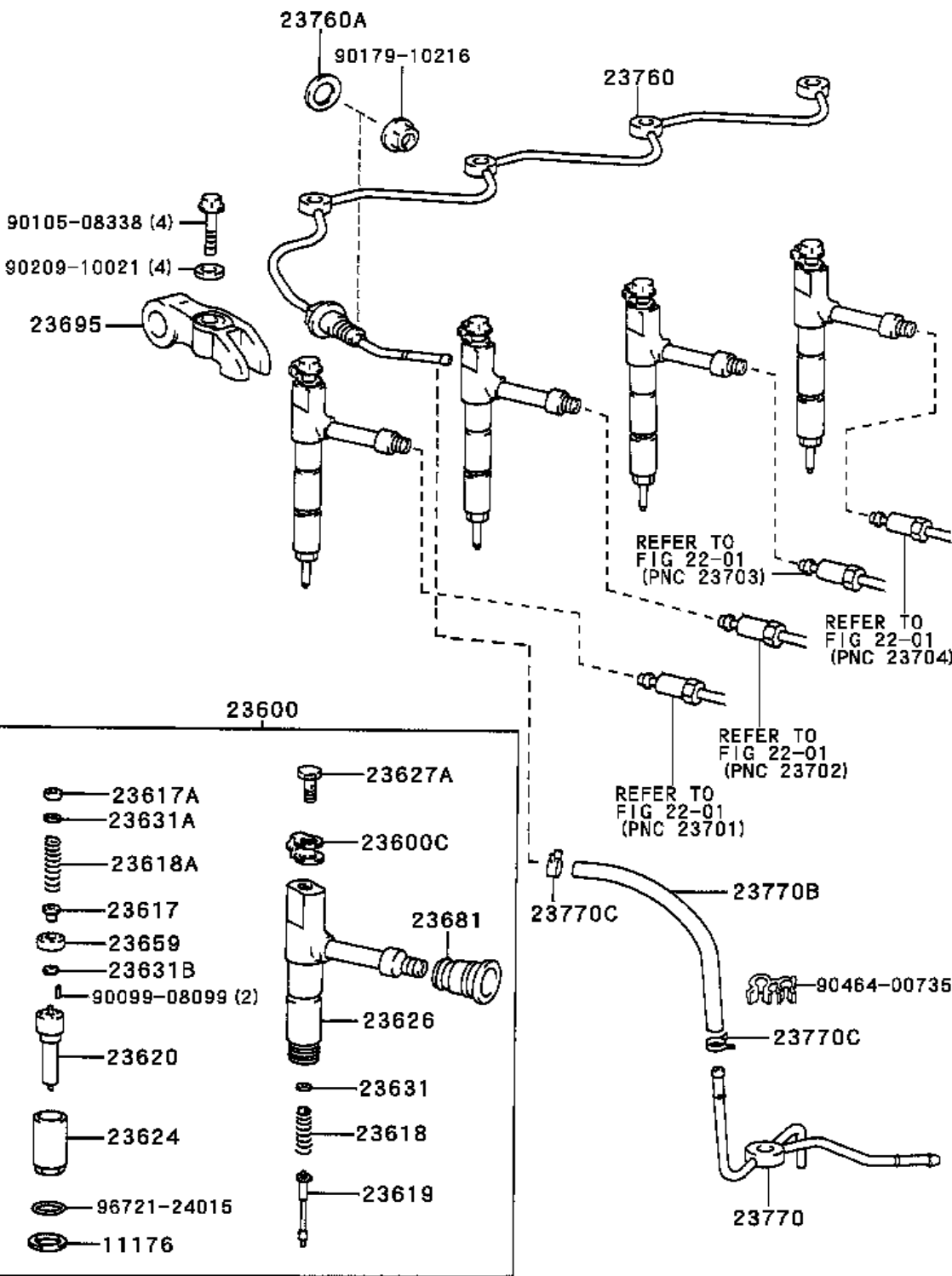


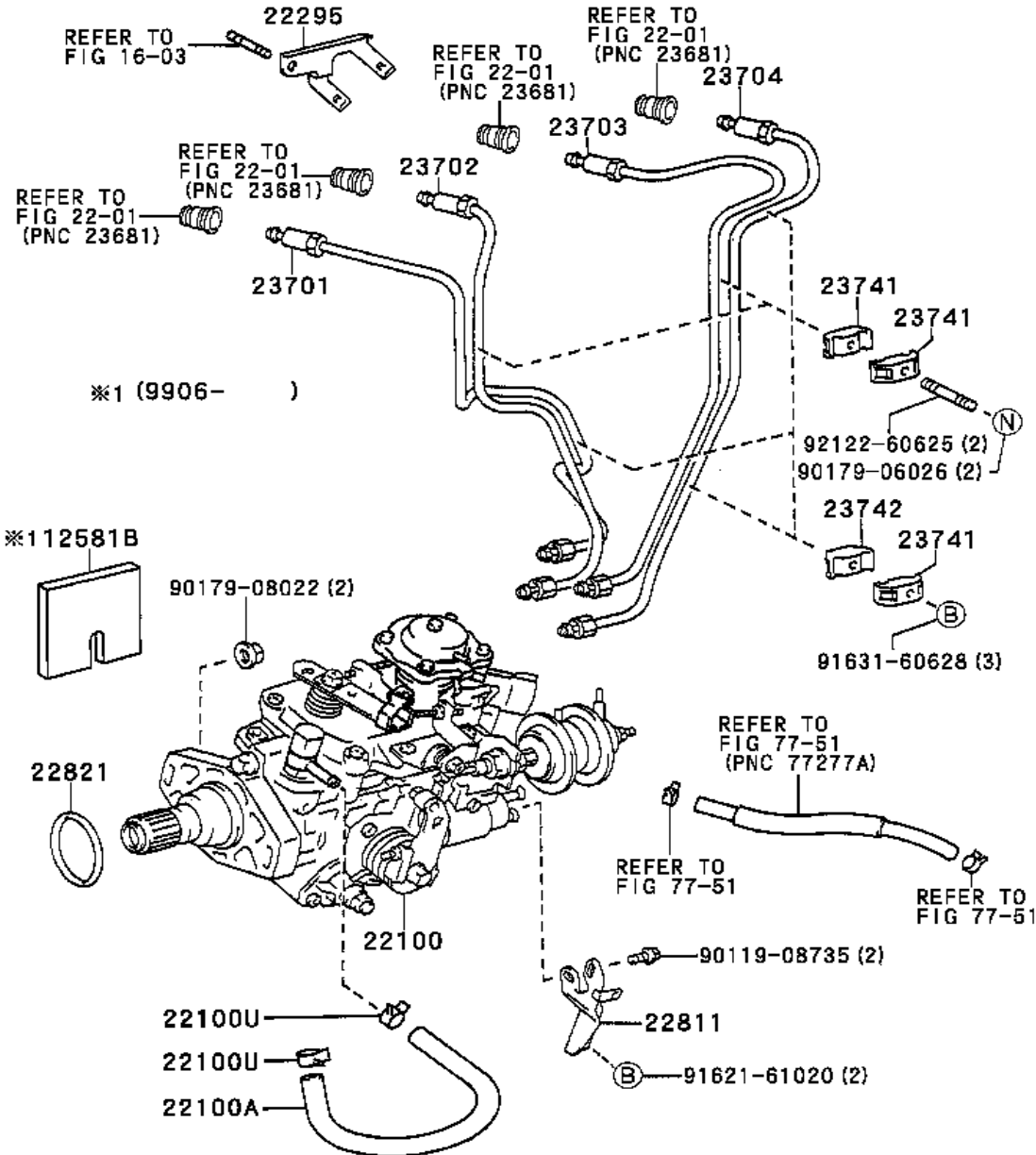
191427

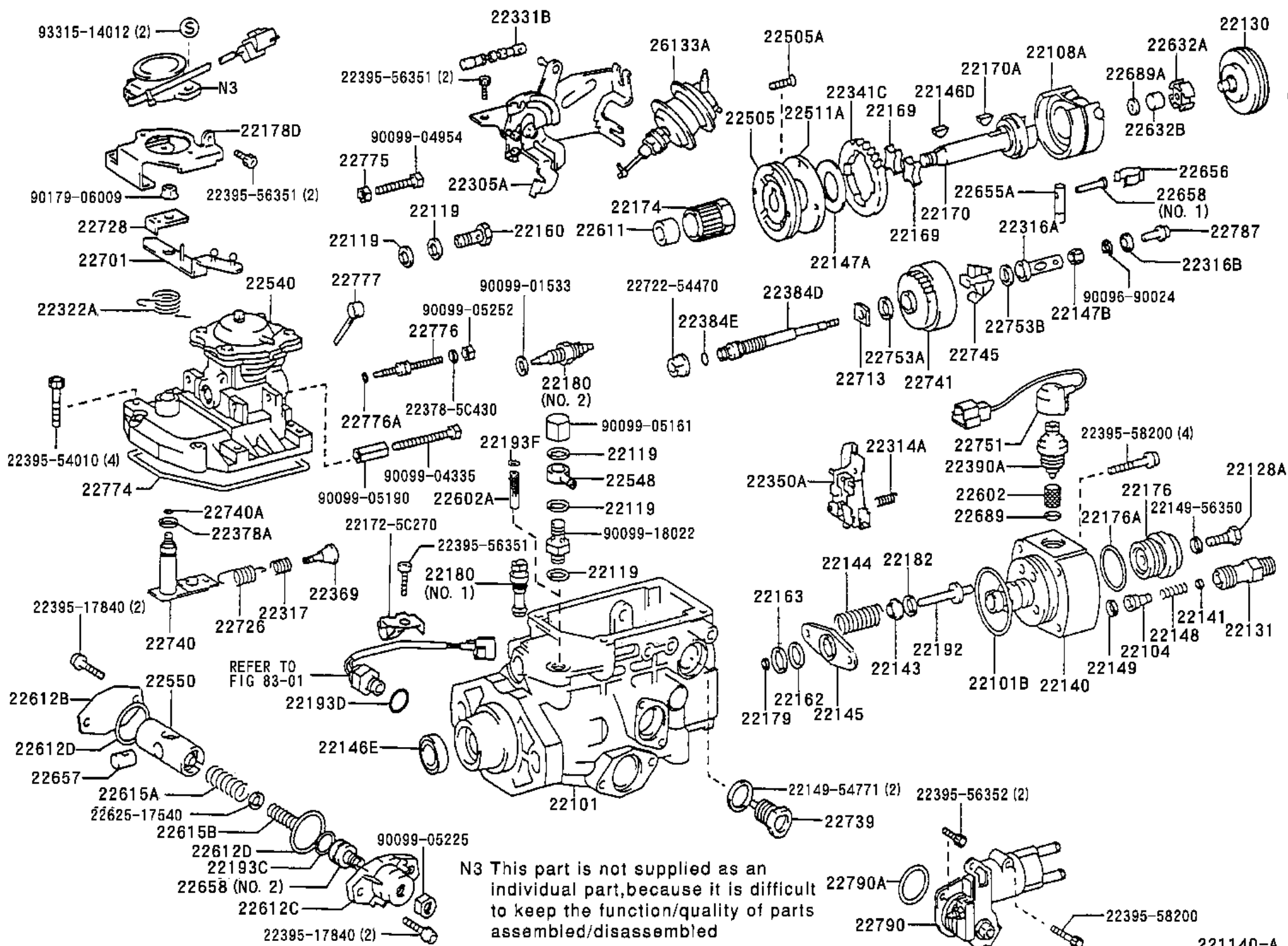






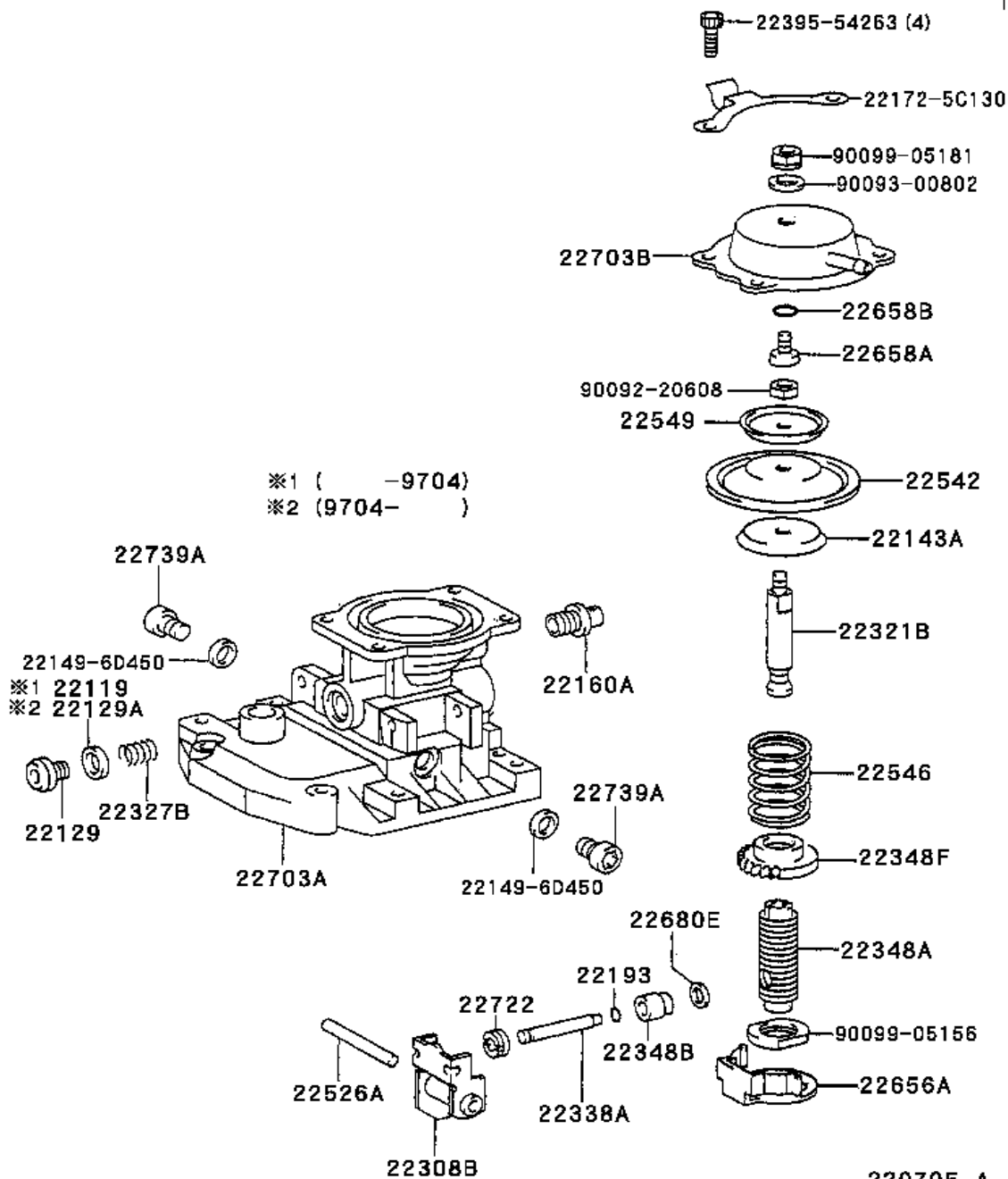


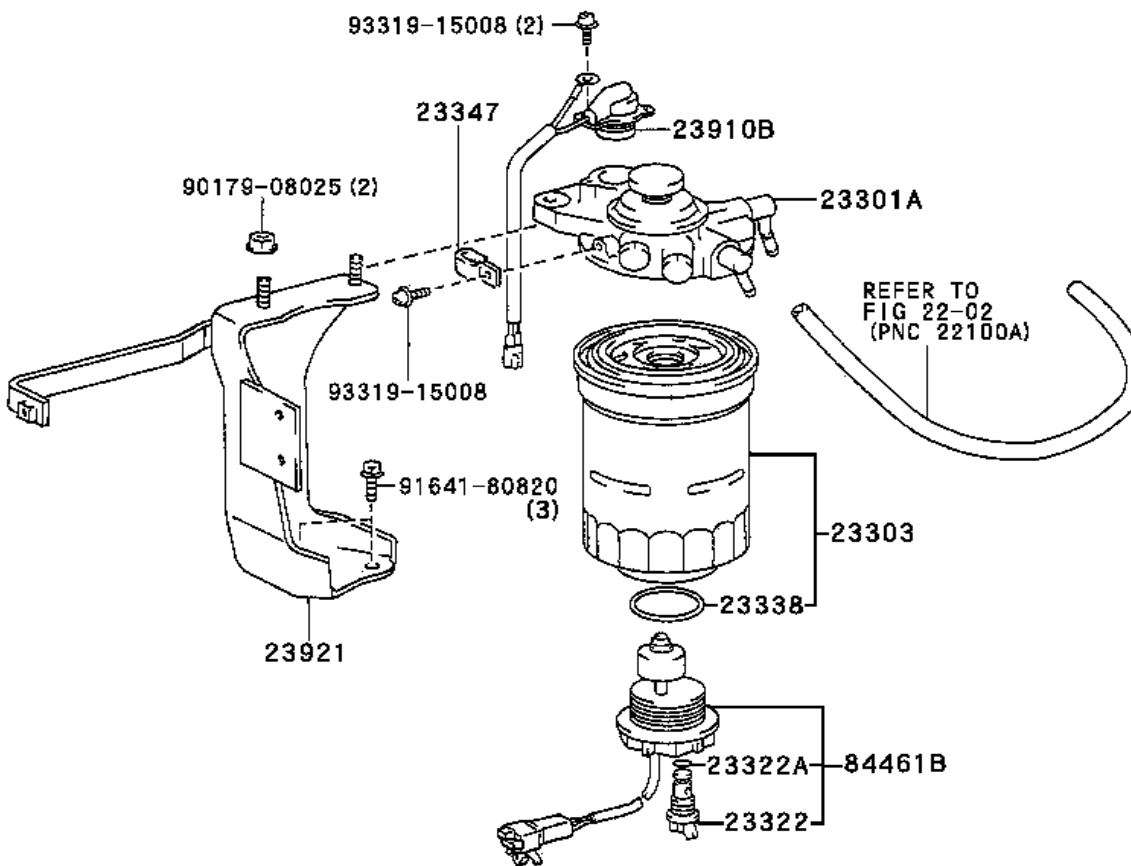




N3 This part is not supplied as an individual part, because it is difficult to keep the function/quality of parts assembled/disassembled

22540





230109