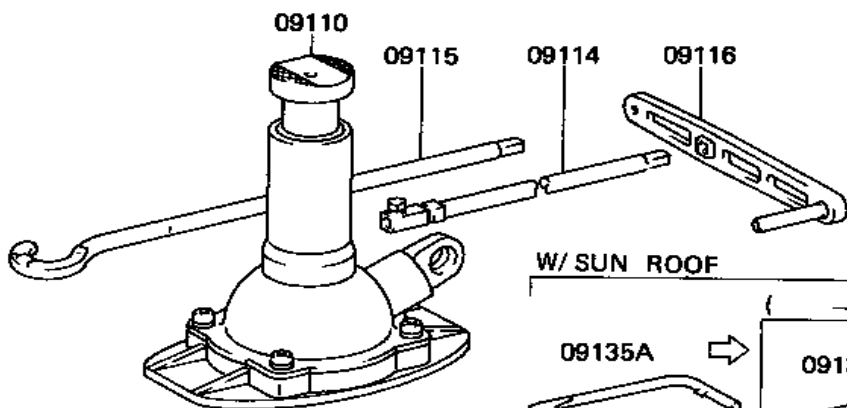
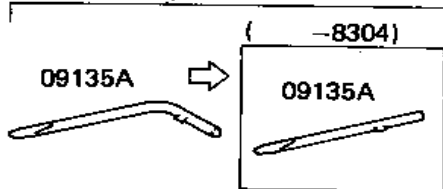


- *1 W/ FREE WHEEL HUB
- *2 (8308-) Excluded out of PNC 09101
- *3 FJ6#
- *4 (-8510)

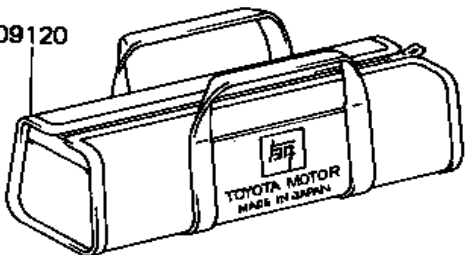


W/ SUN ROOF



*4 09101

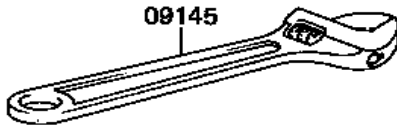
09120



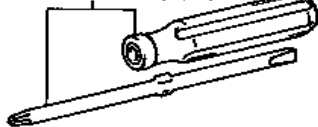
09130



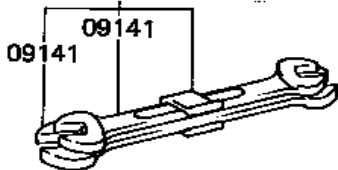
09145



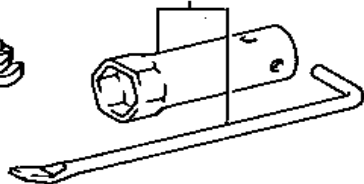
09135 (+) (-)



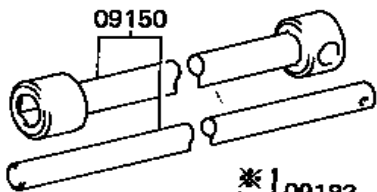
09140



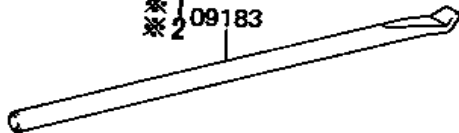
*3 09155



09150

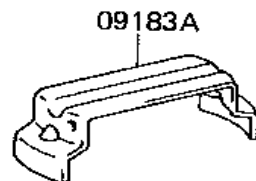
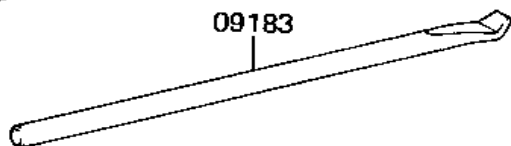
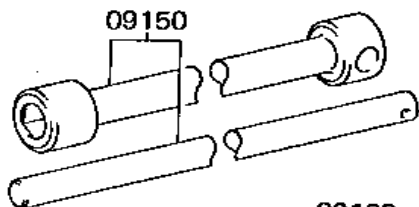
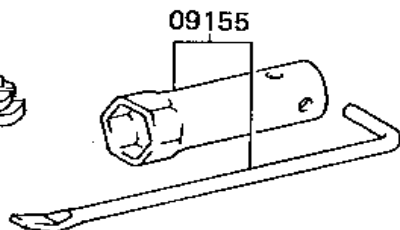
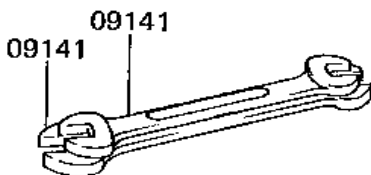
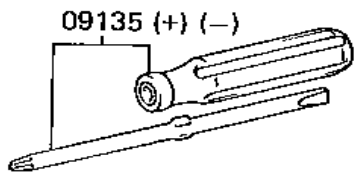
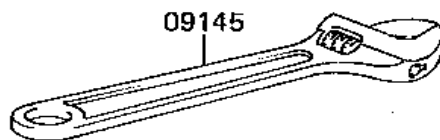
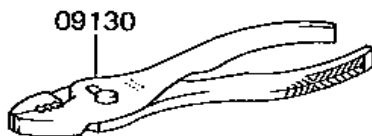
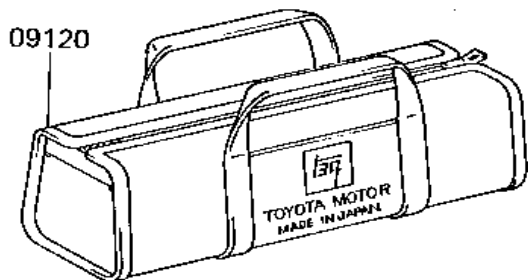
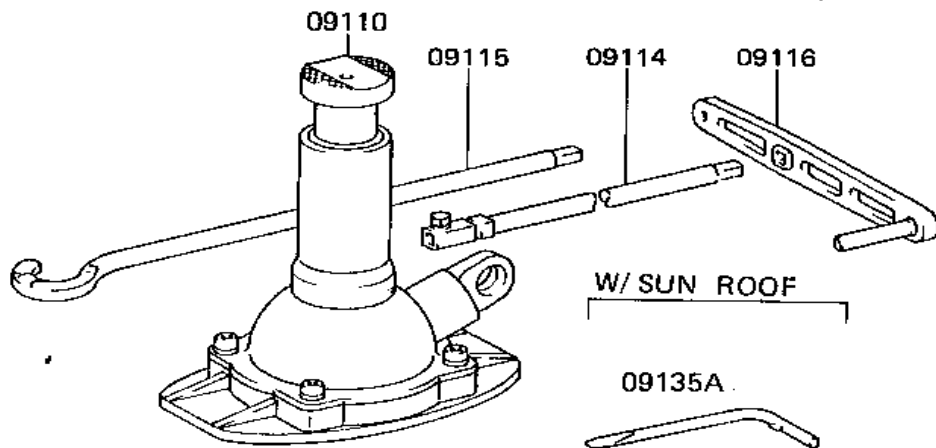


*1
*2 09183



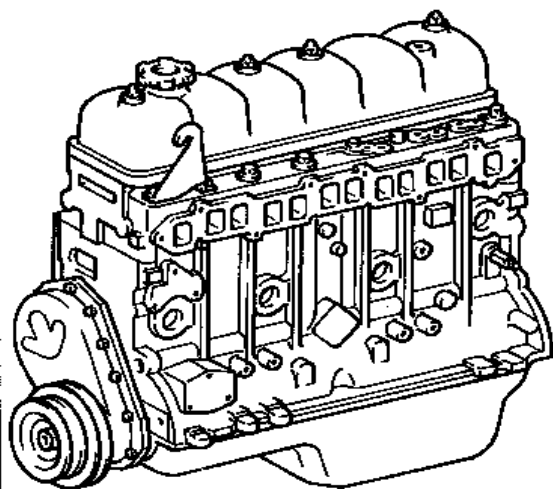
*1
*2 09183A





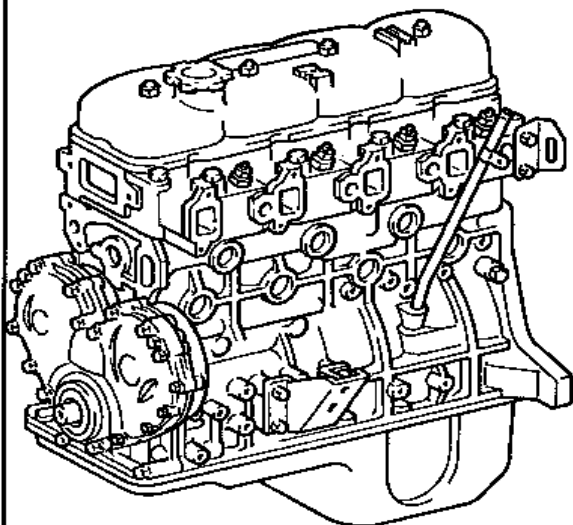
2F, 3F

11000



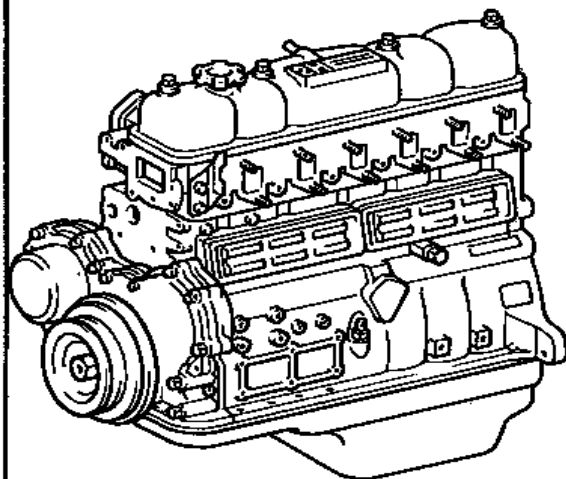
3B

11000



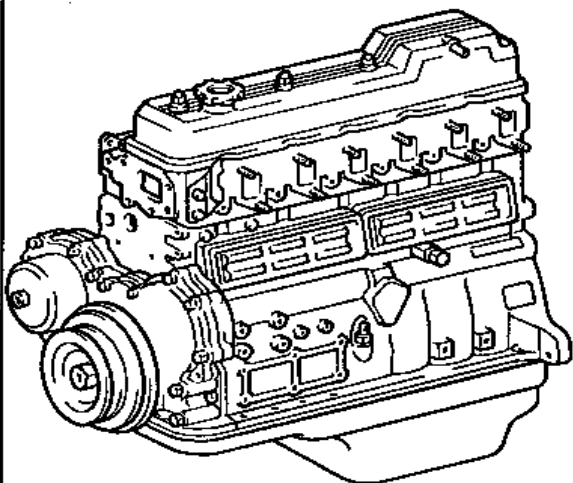
2H

11000



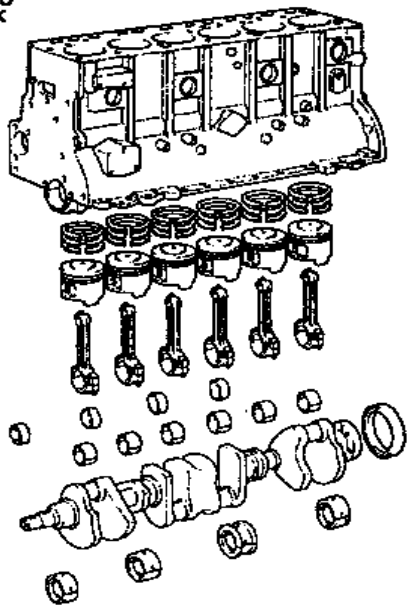
12HT

11000



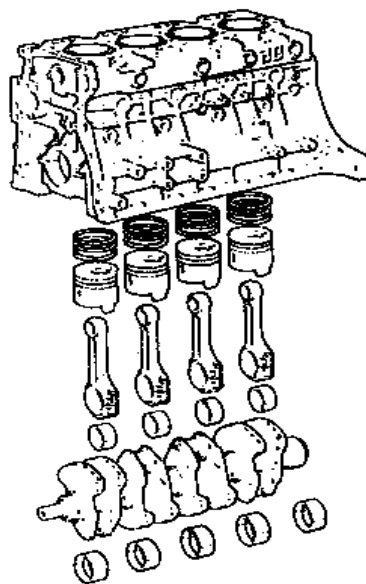
2F, 3F

11400
BLOCK



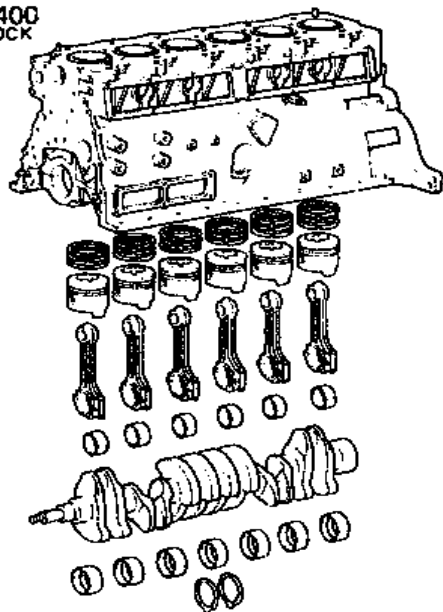
3B

11400
BLOCK

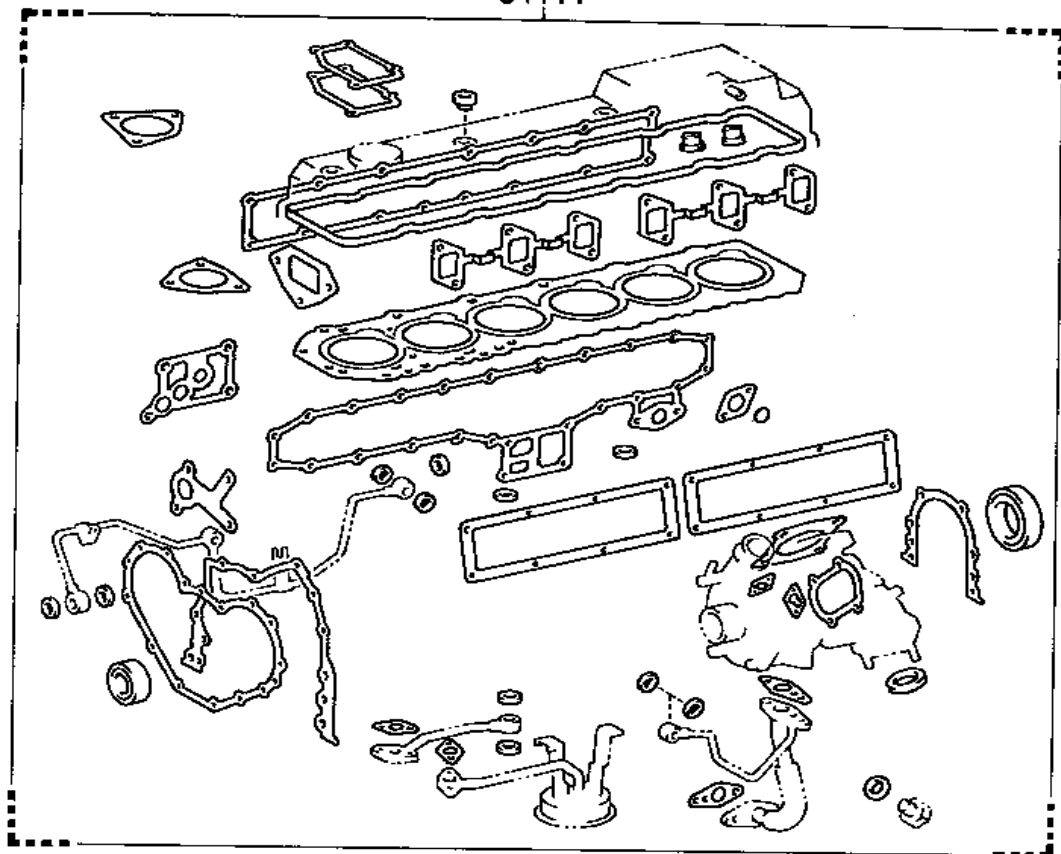


2H, 12HT

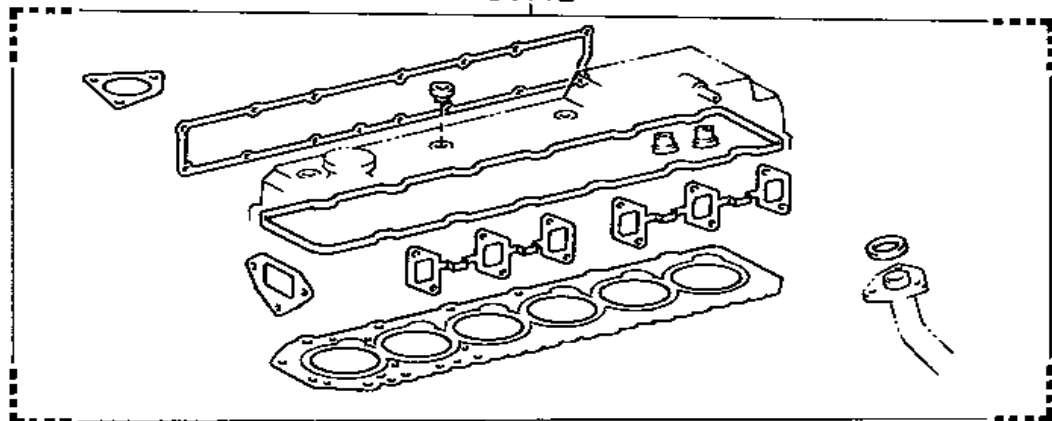
11400
BLOCK



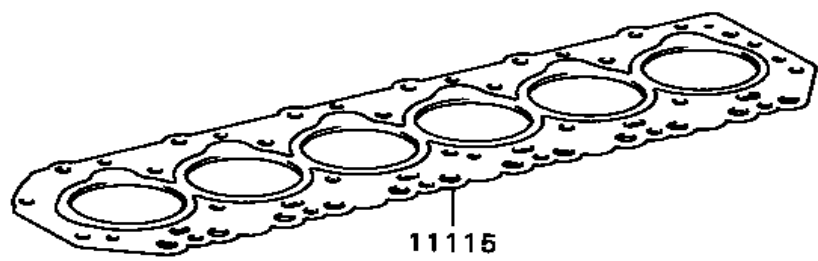
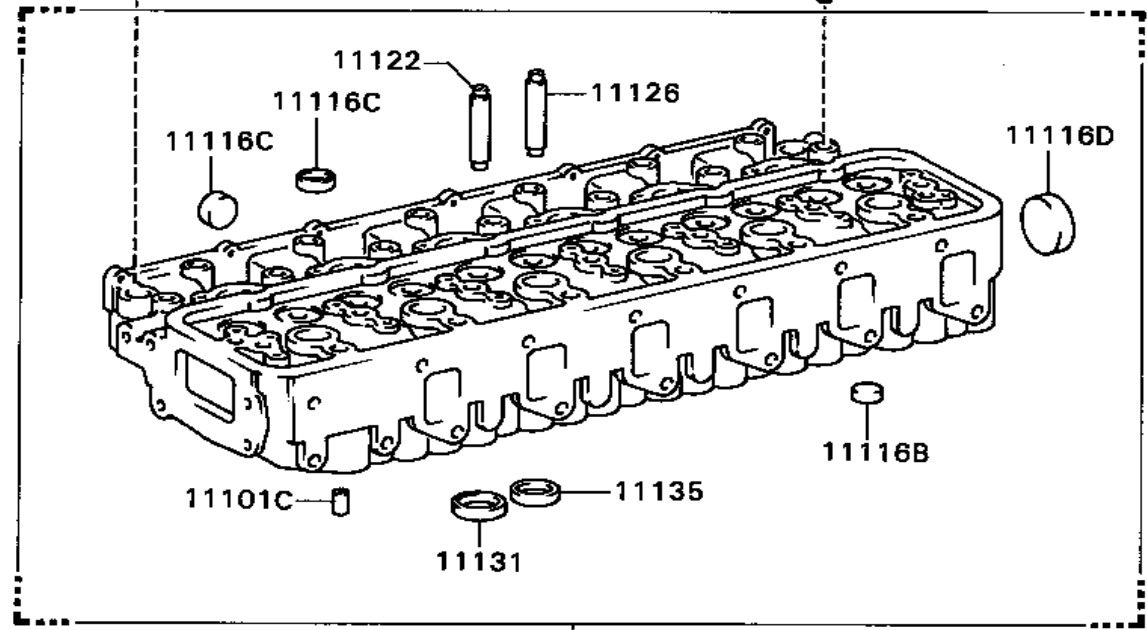
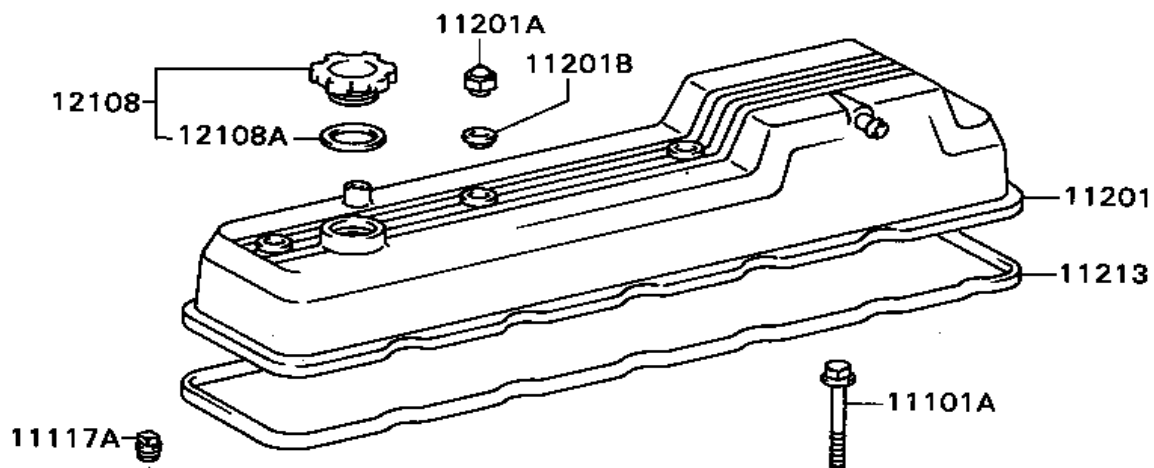
04111

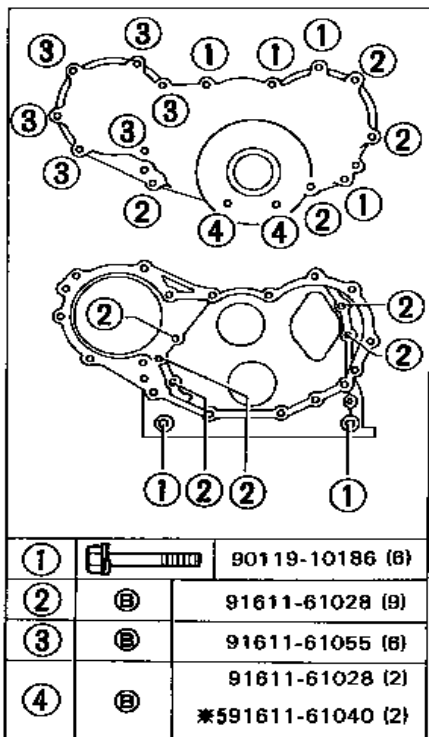
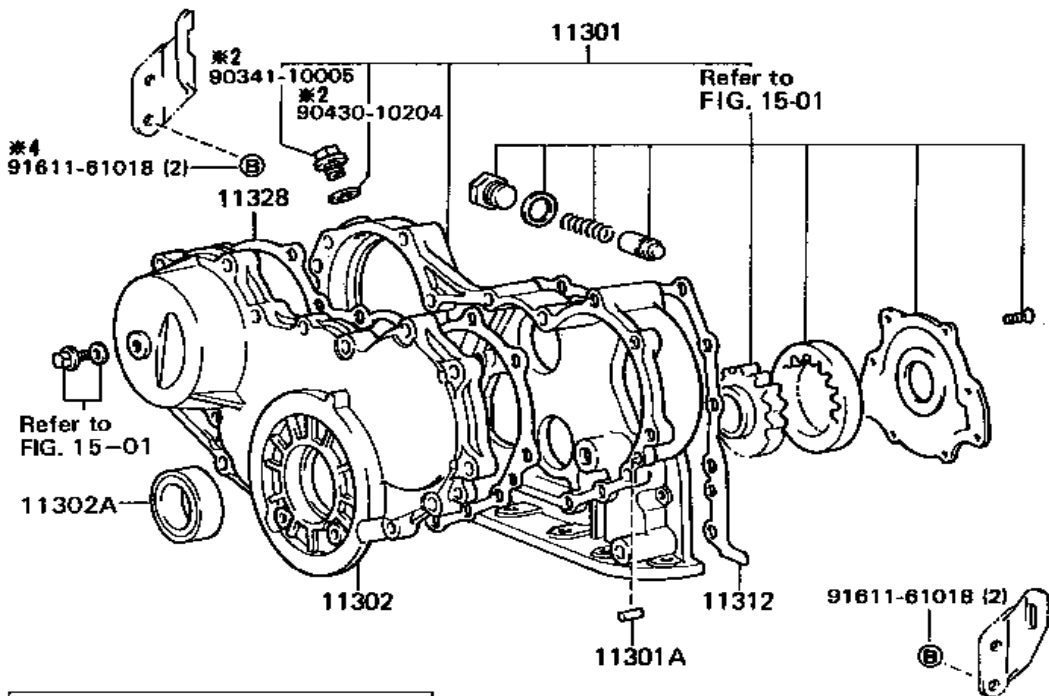


04112

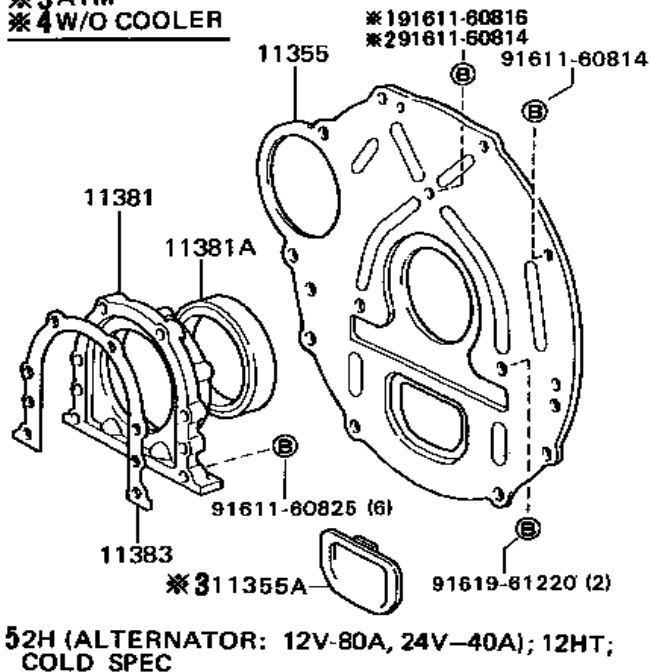


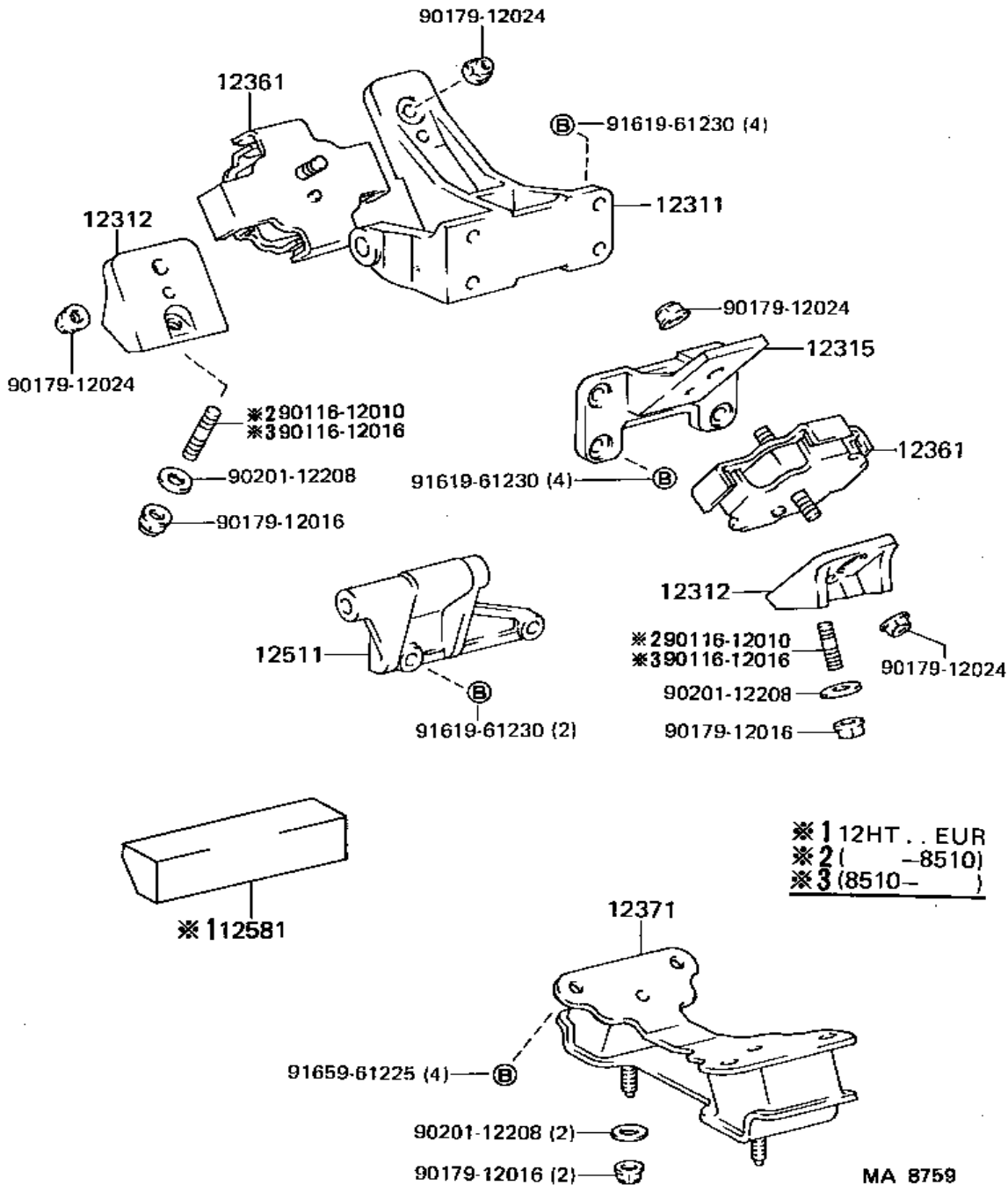
MA 8908



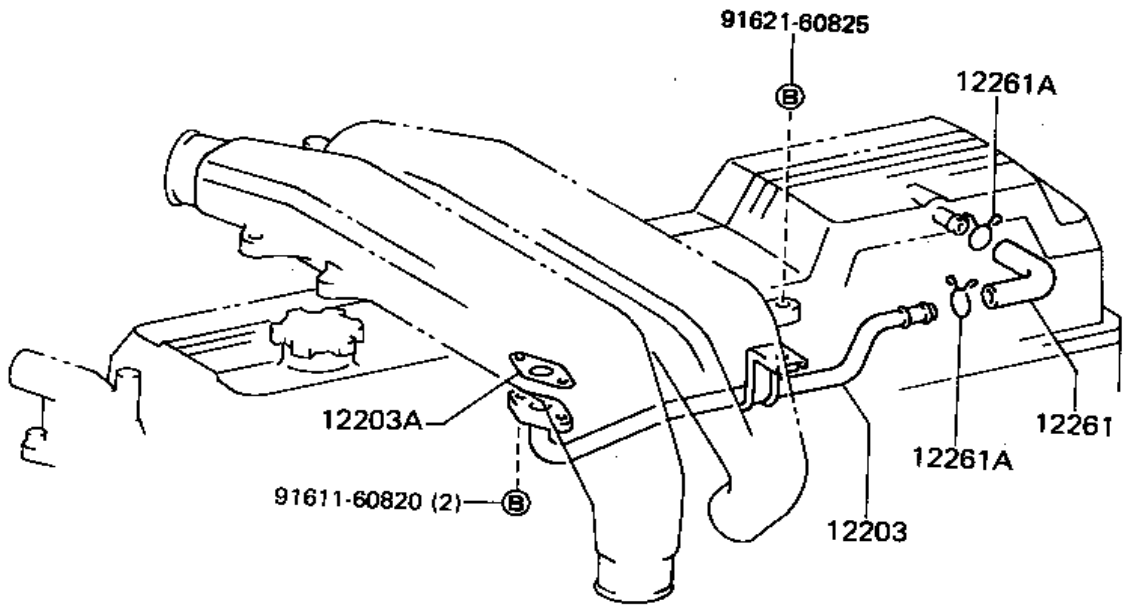


*1 (-8411)
 *2 (8411-)
 *3 ATM
 *4 W/O COOLER





*1 12HT.. EUR
 *2 (-8510)
 *3 (8510-)



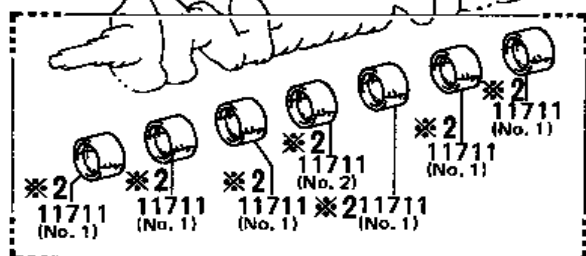
MA 8724-A

13202

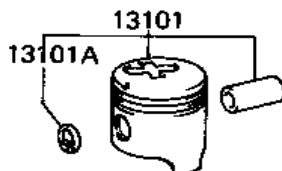
13011



※1 (-8408) Included in PNC 13405
 ※2 (8411-)



11702



13572

13577A

13582

11011

12HT, 24V-40A, COLD SPEC

13526

13525

13101

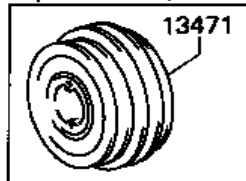
13101A

13201A

13265

13201

13265A



13471

13572

13581

13471A

13577A

13411

13434

13521A

13471E

13407

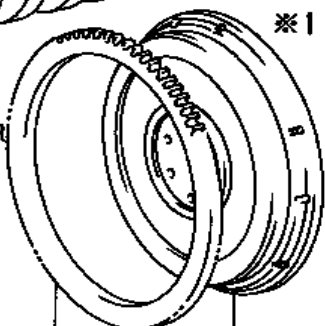
13521

13434

13411

13471A

13521A



※1 13405B

13453

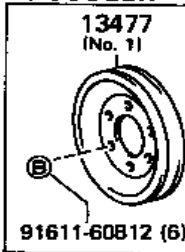
13405A

13405

W/ COOLER

W/ PS

W/ PS & W/ COOLER

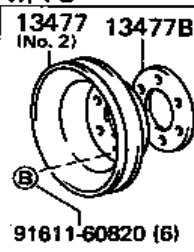


13477

(No. 1)

B

91611-60812 (6)



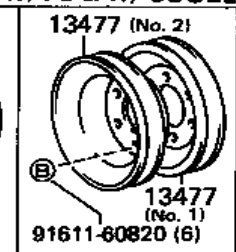
13477

(No. 2)

13477B

B

91611-60820 (6)

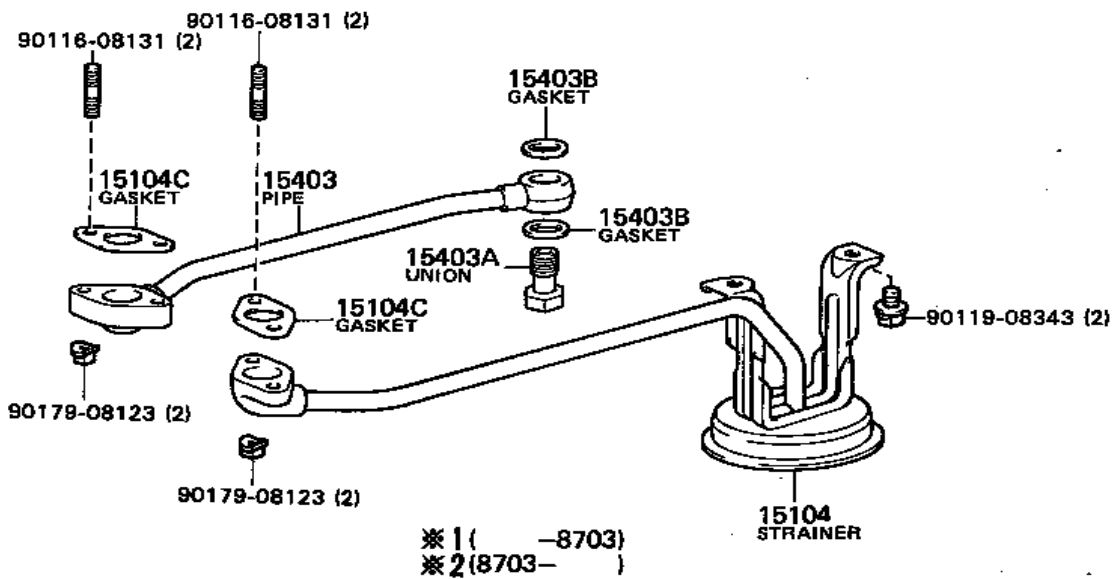
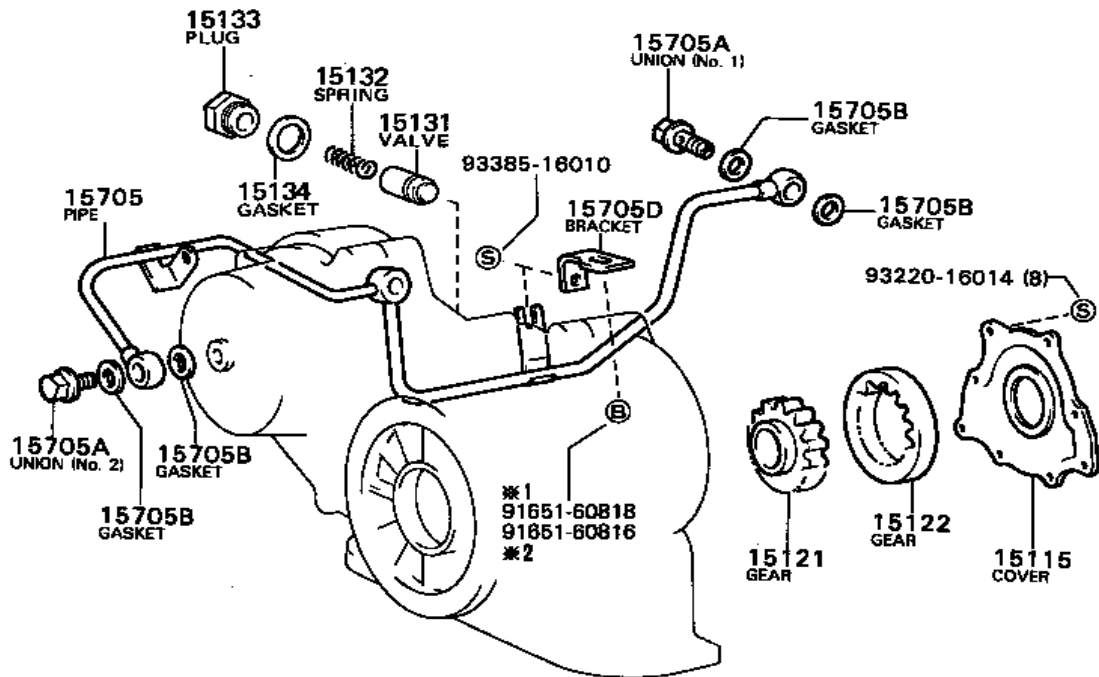


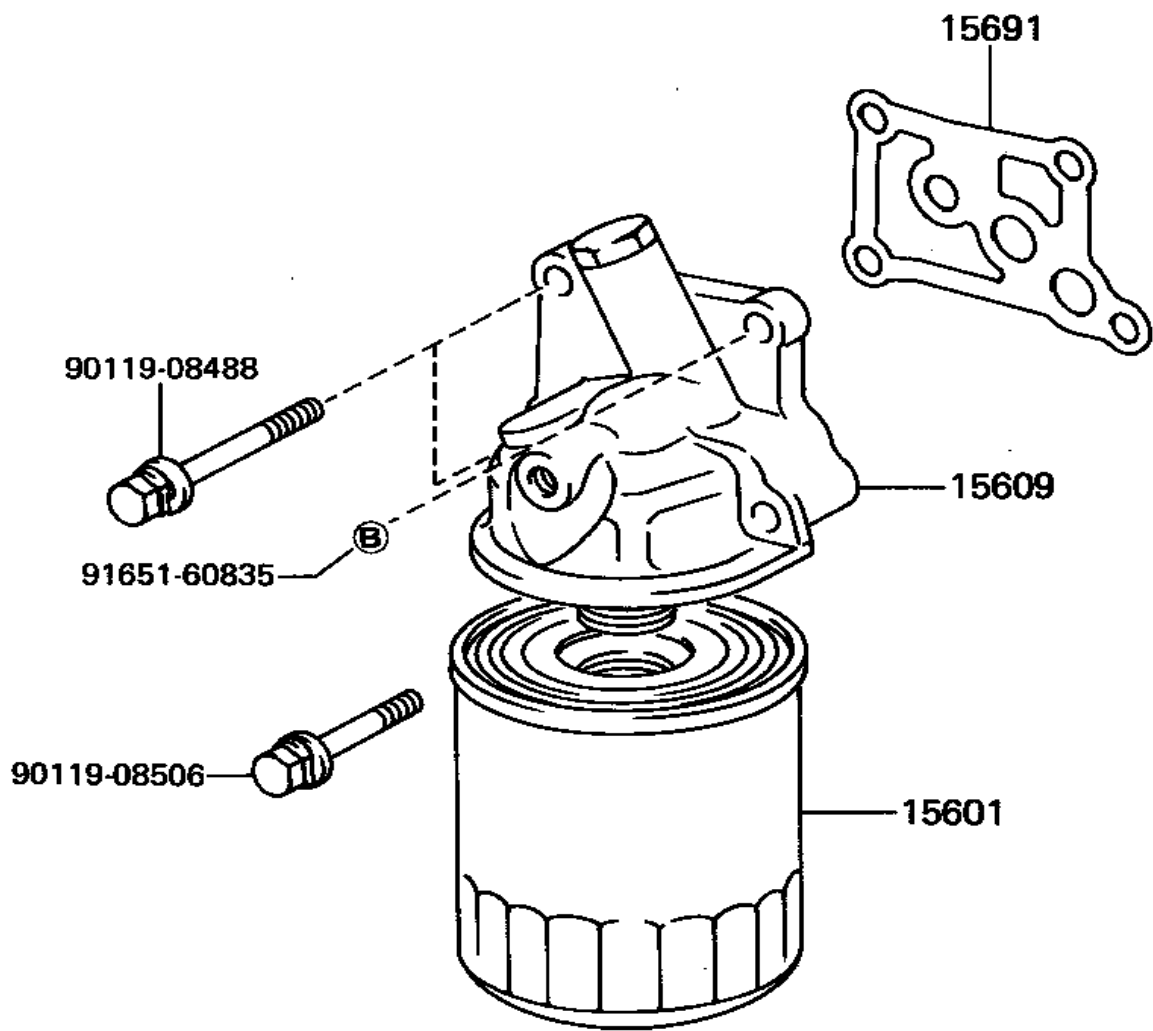
13477

(No. 2)

B

91611-60820 (6)





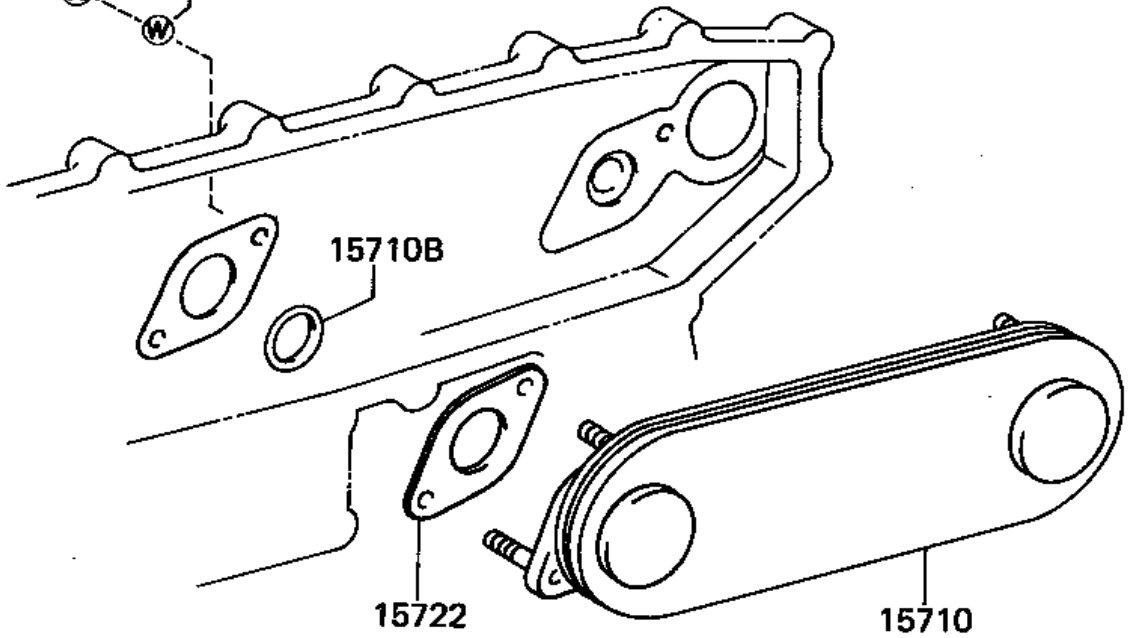
MA 7933

94110-41000 (4)

94531-01000 (4)

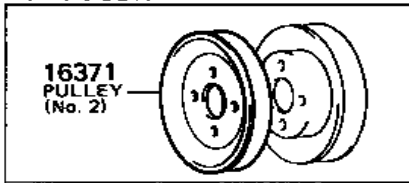
(N)

(W)



MA 4865-B

W/COOLER



90179-08123 (4)

16371 PULLEY (No. 1)

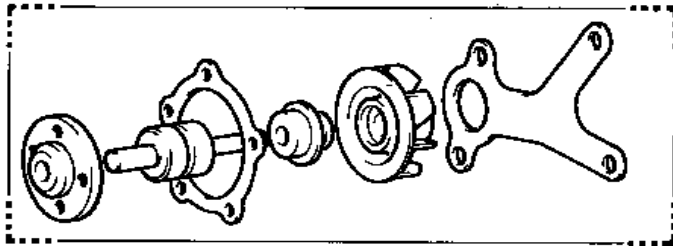
* 16100A PLUG

16210 COUPLING

91611-61065 (4)

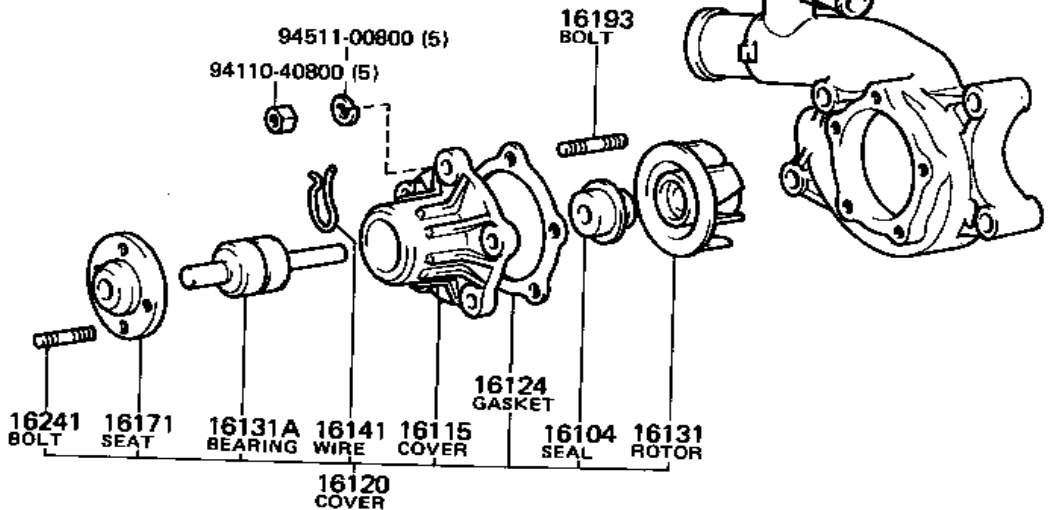
16100 PUMP

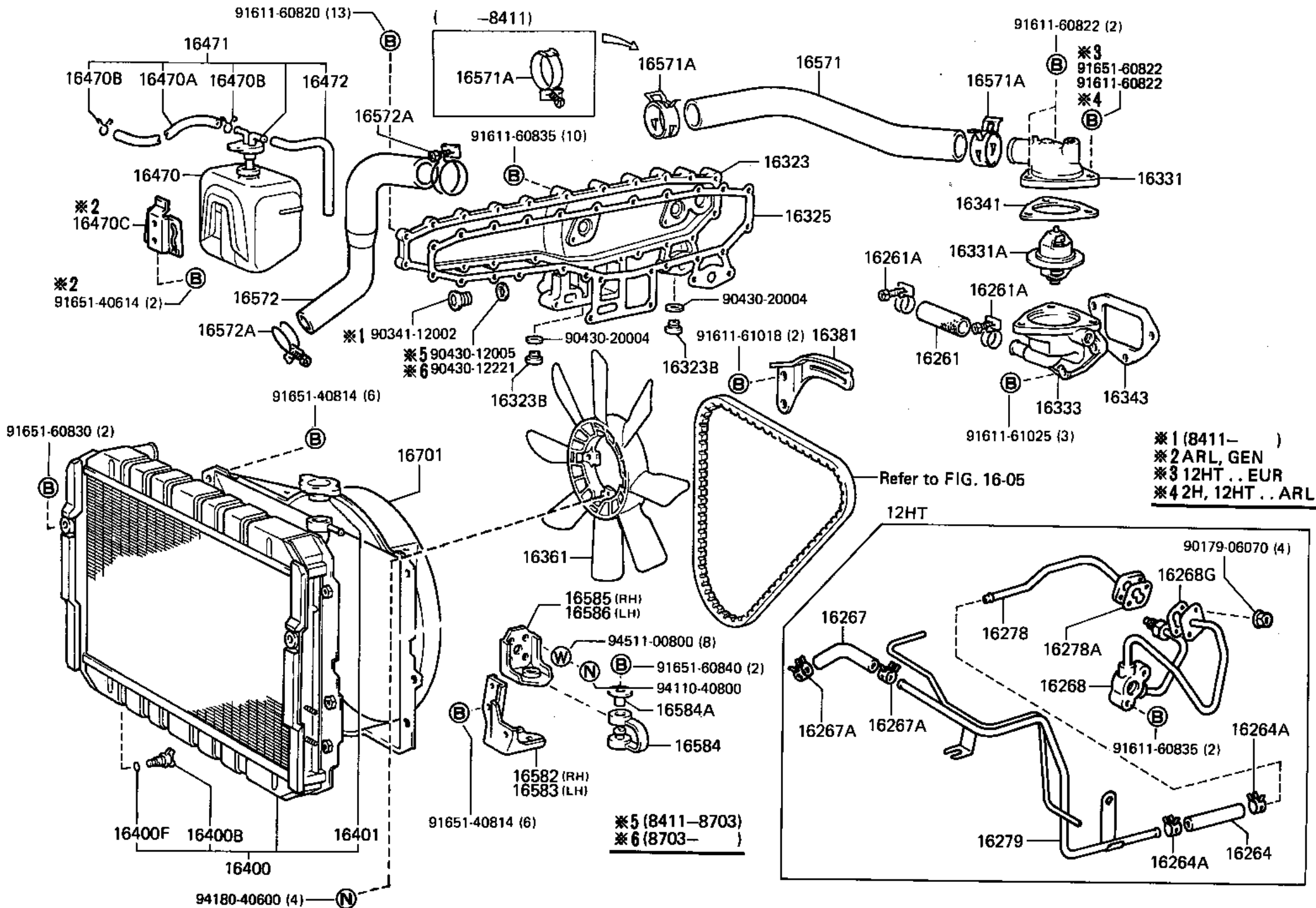
16271 GASKET






04161 PUMP KIT

*W/O HEATER

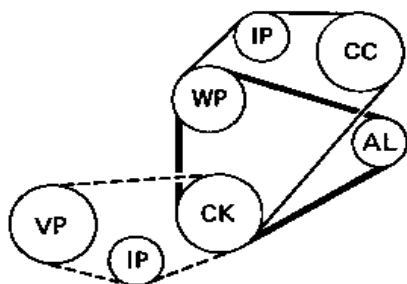




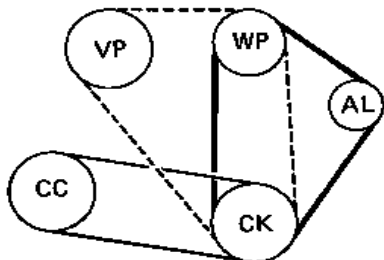
VP : Vane Pump
 AL : Alternator
 CK : Crankshaft
 CC : Cooler Compressor
 IP : Idle Pulley
 WP : Water Pump

	PNC		
	16361A		
	44310A		
	88310A		

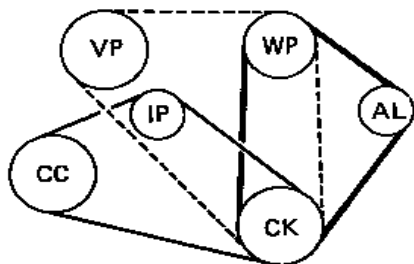
2H, 12HT



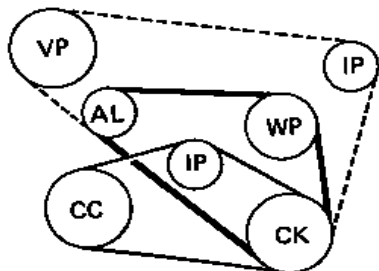
2F

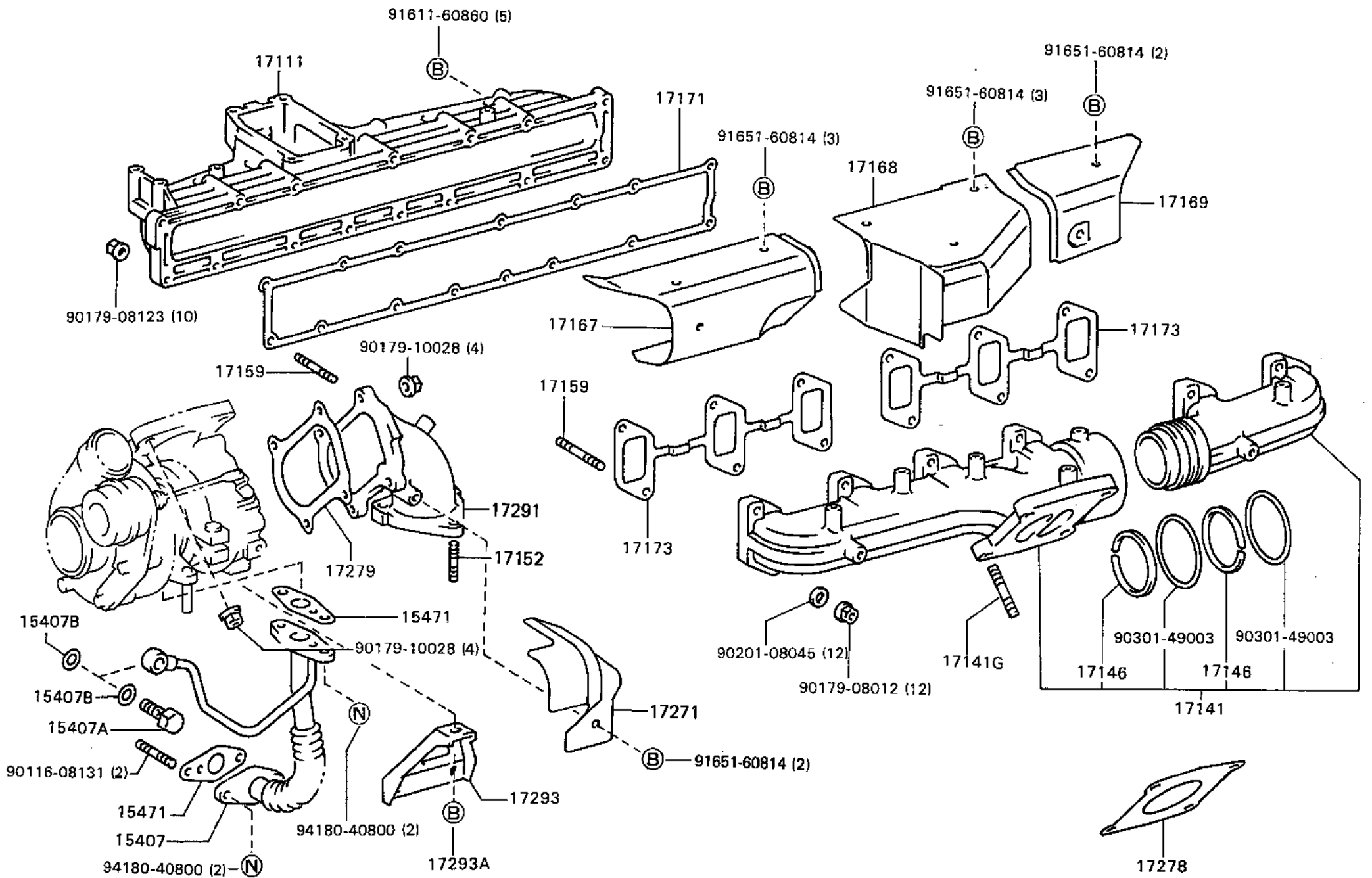


3F



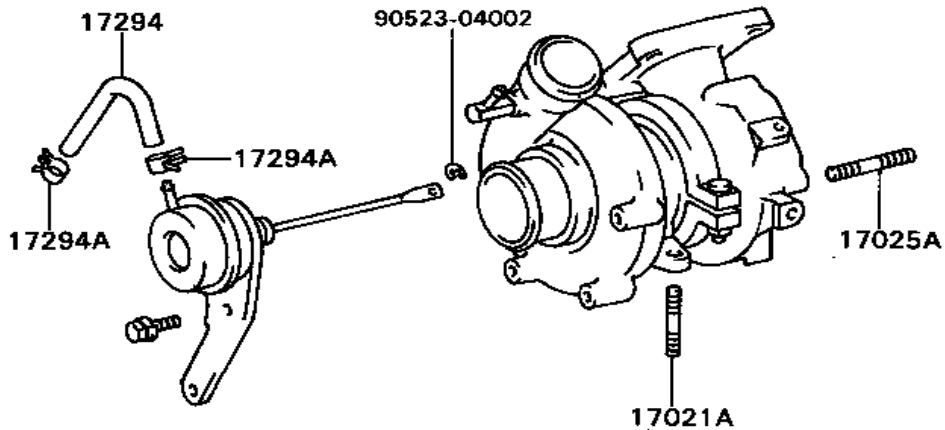
3B





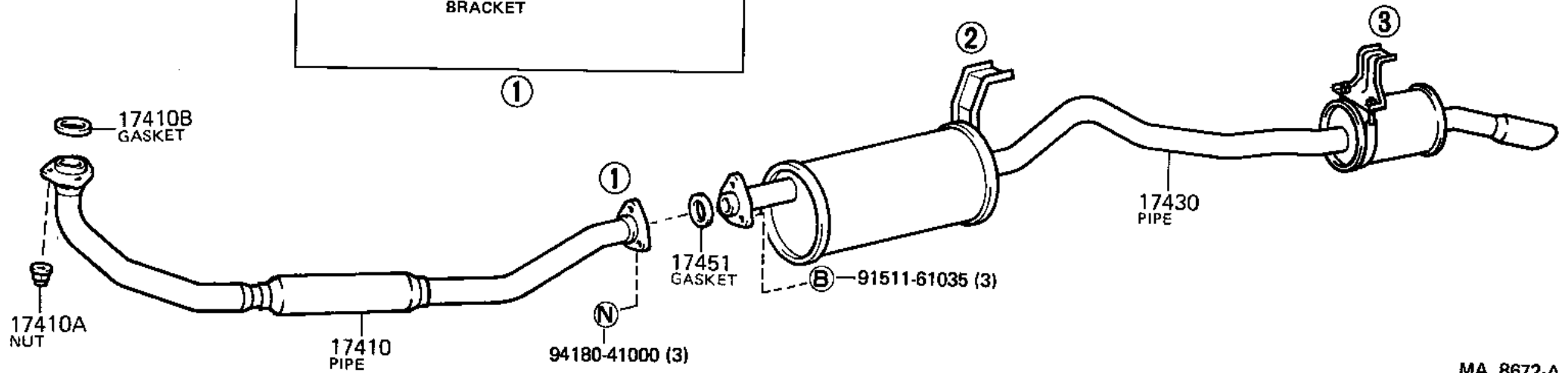
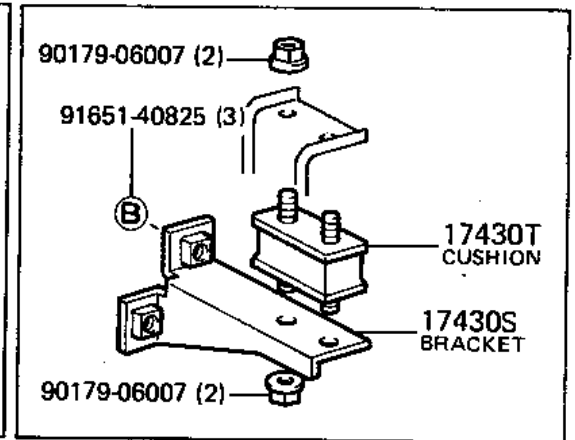
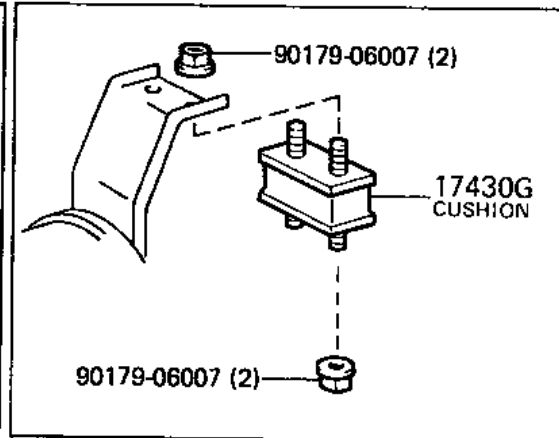
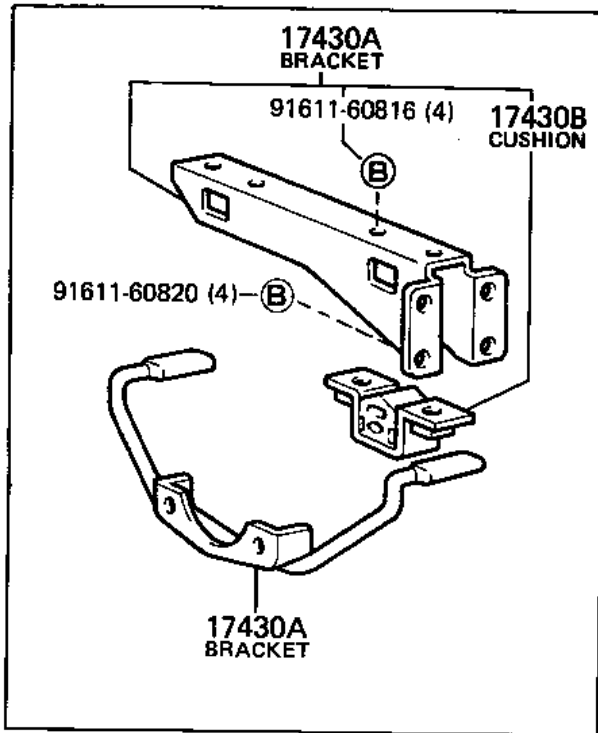
※ (8608-) ATM

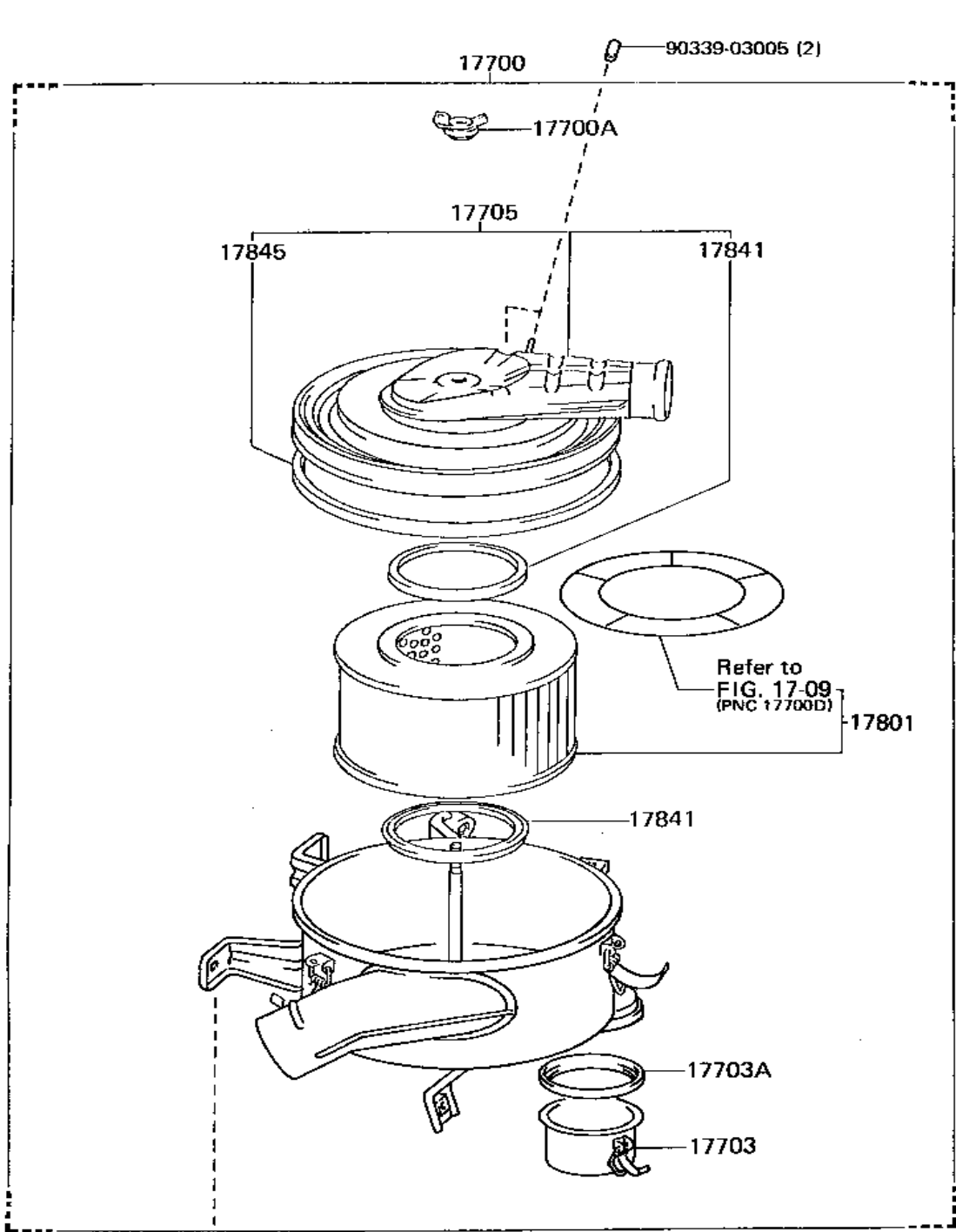
17201



04175







17700

90339-03005 (2)

17700A

17705

17845

17841

Refer to
FIG. 17-09
(PNC 17700D)

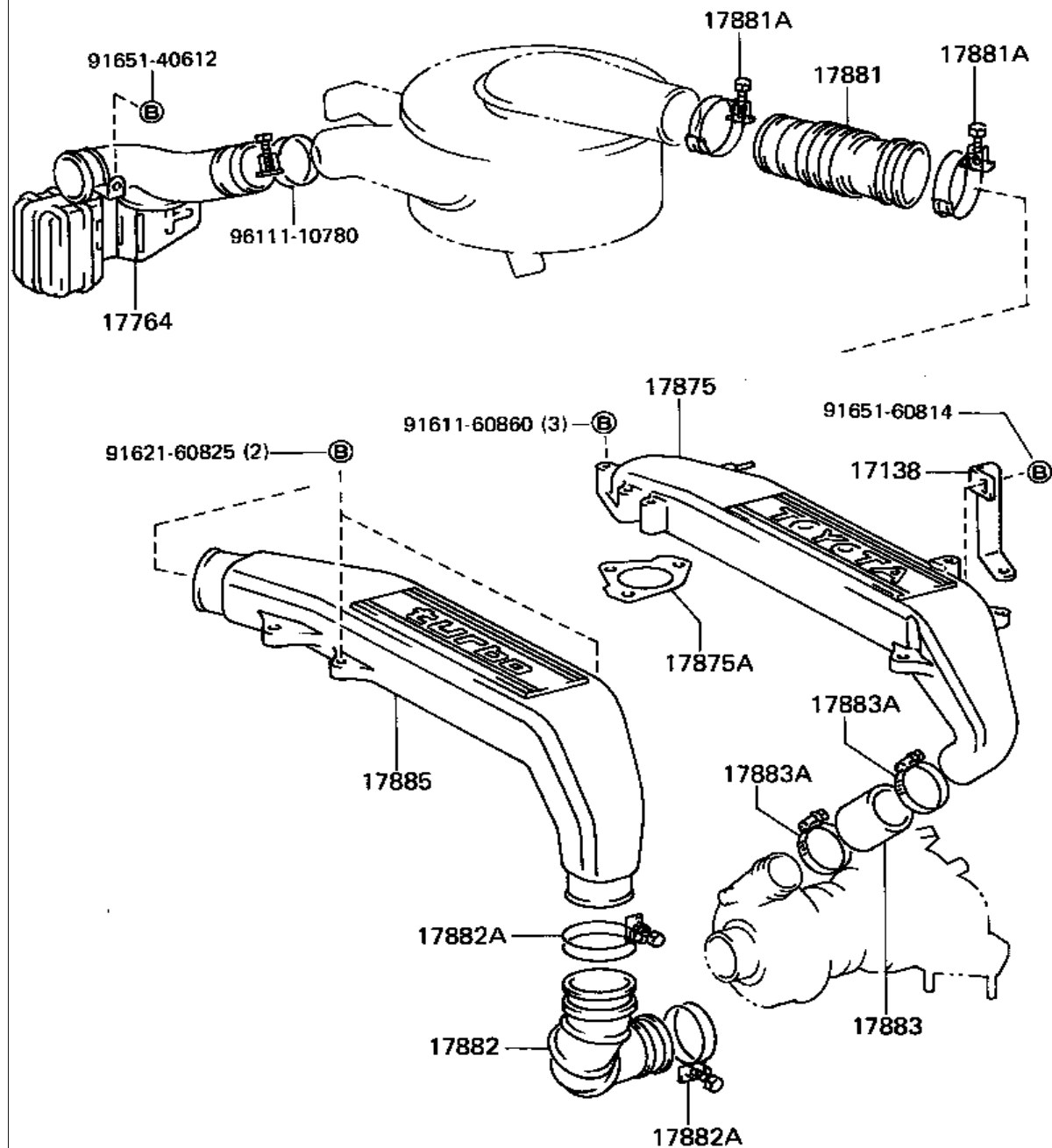
17801

17841

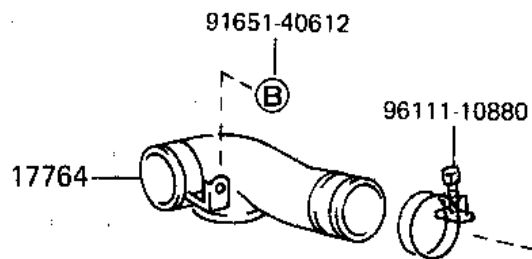
17703A

17703

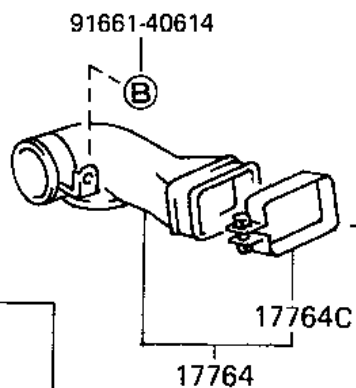
91655-40820 (3)



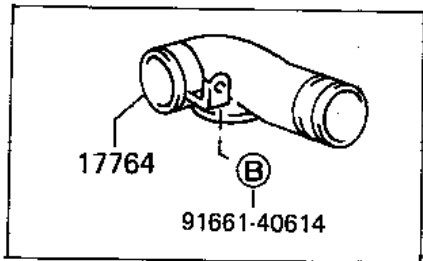
2F, 3B



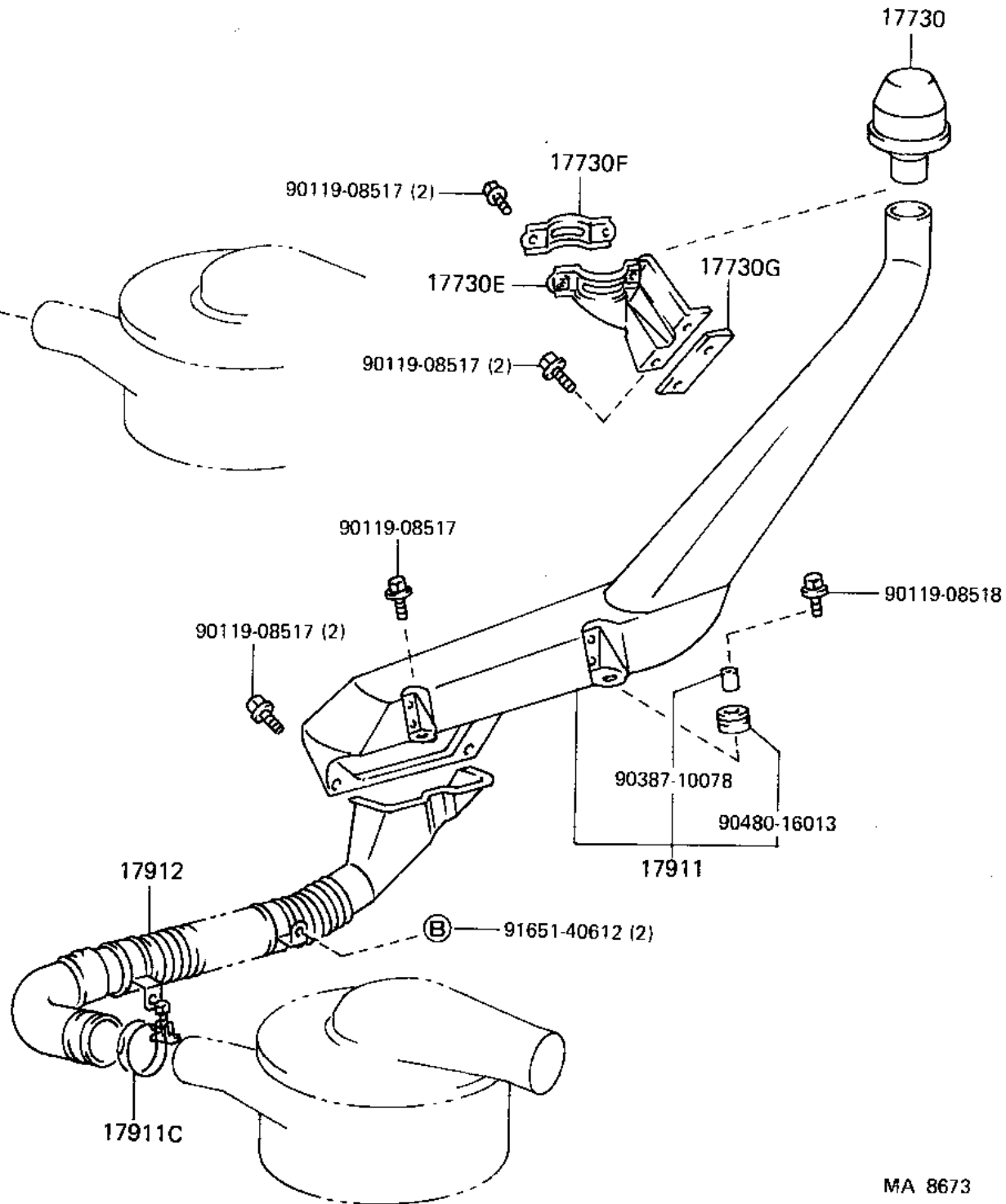
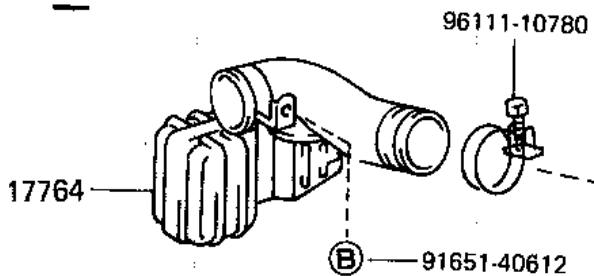
3F

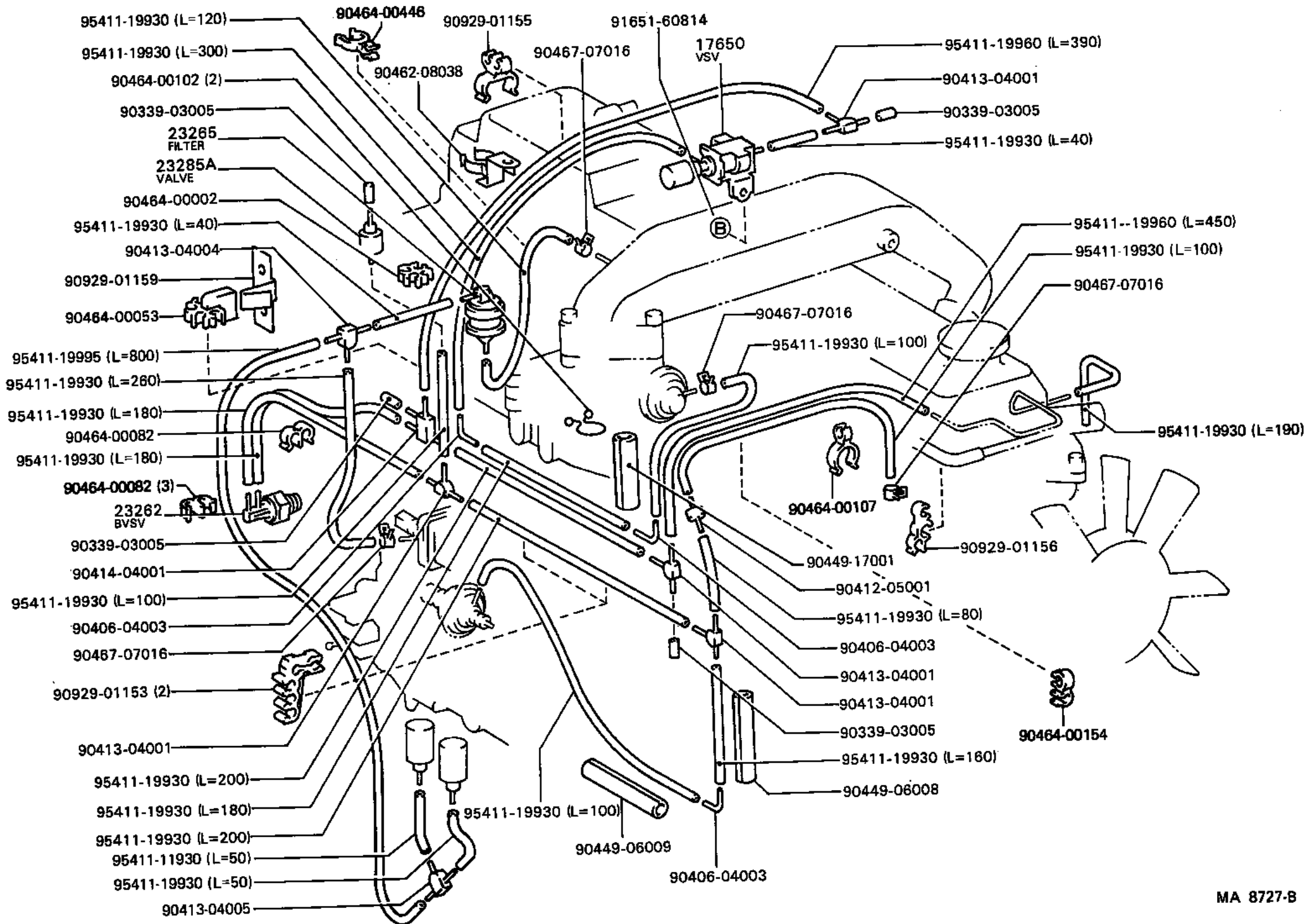


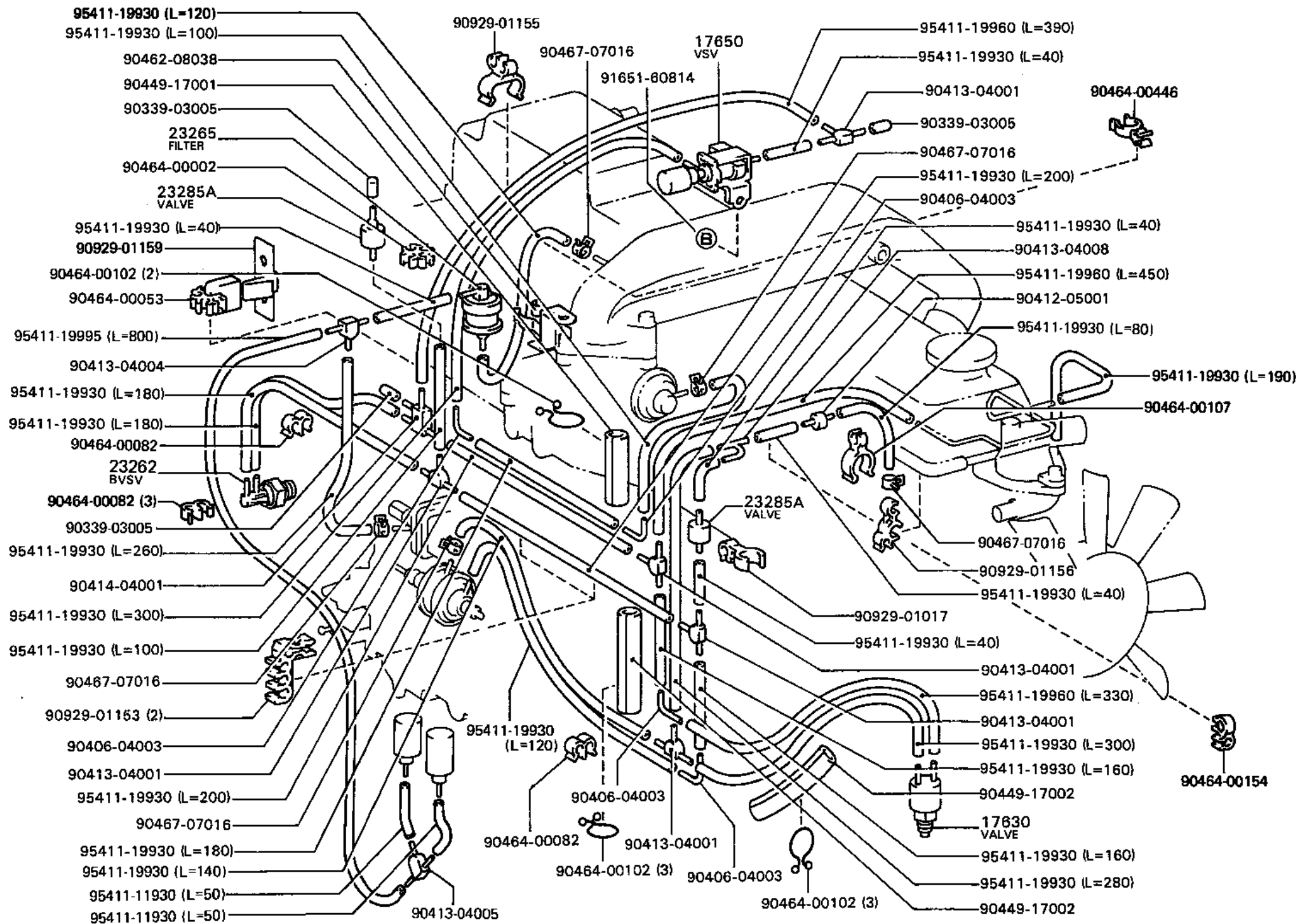
W/O HOT AIR INTAKE



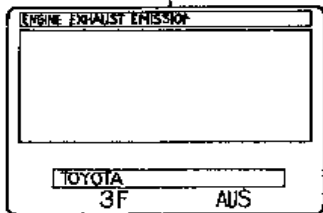
2H



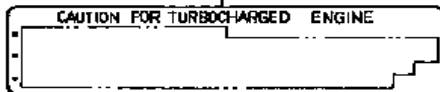




11278



11283



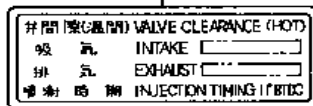
11291



11293



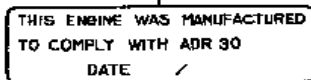
11293A



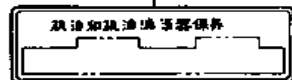
11294



11294



15369



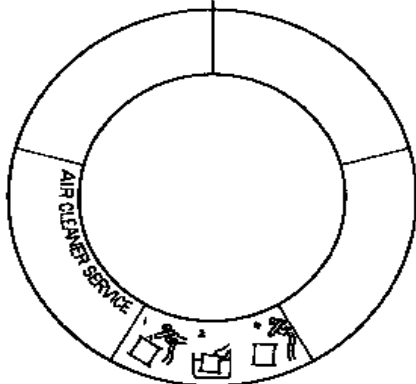
17700C



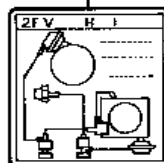
17700C



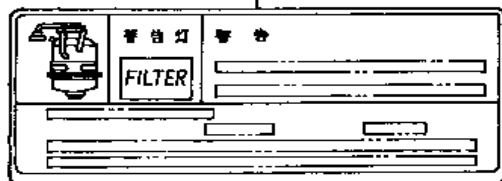
17700D



17792



23923



90179-05044 (2)

19822

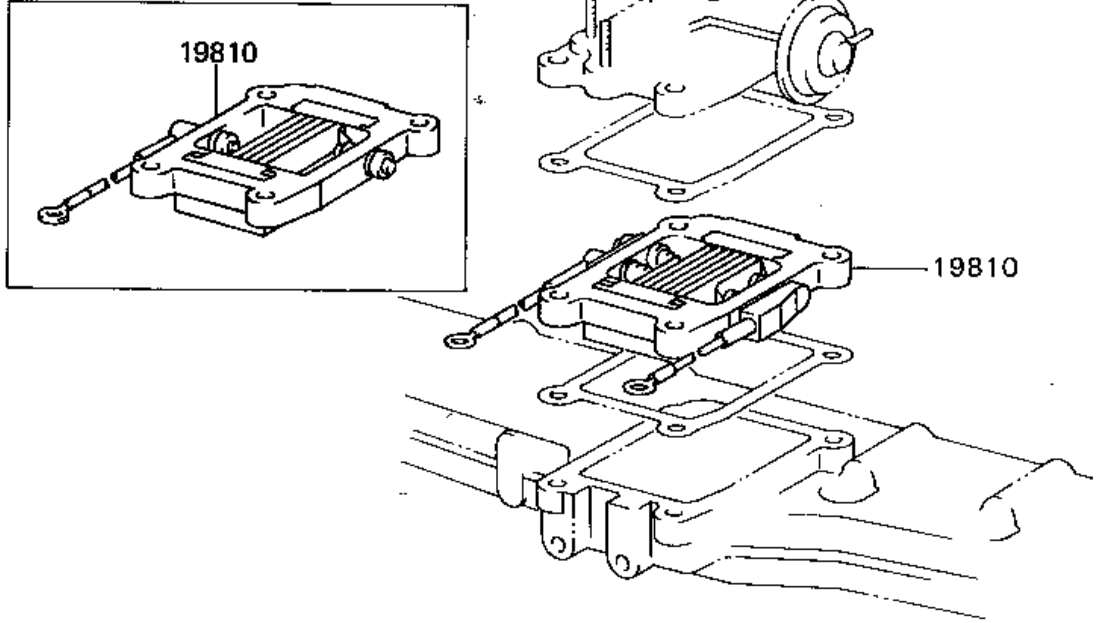
19821

ARL

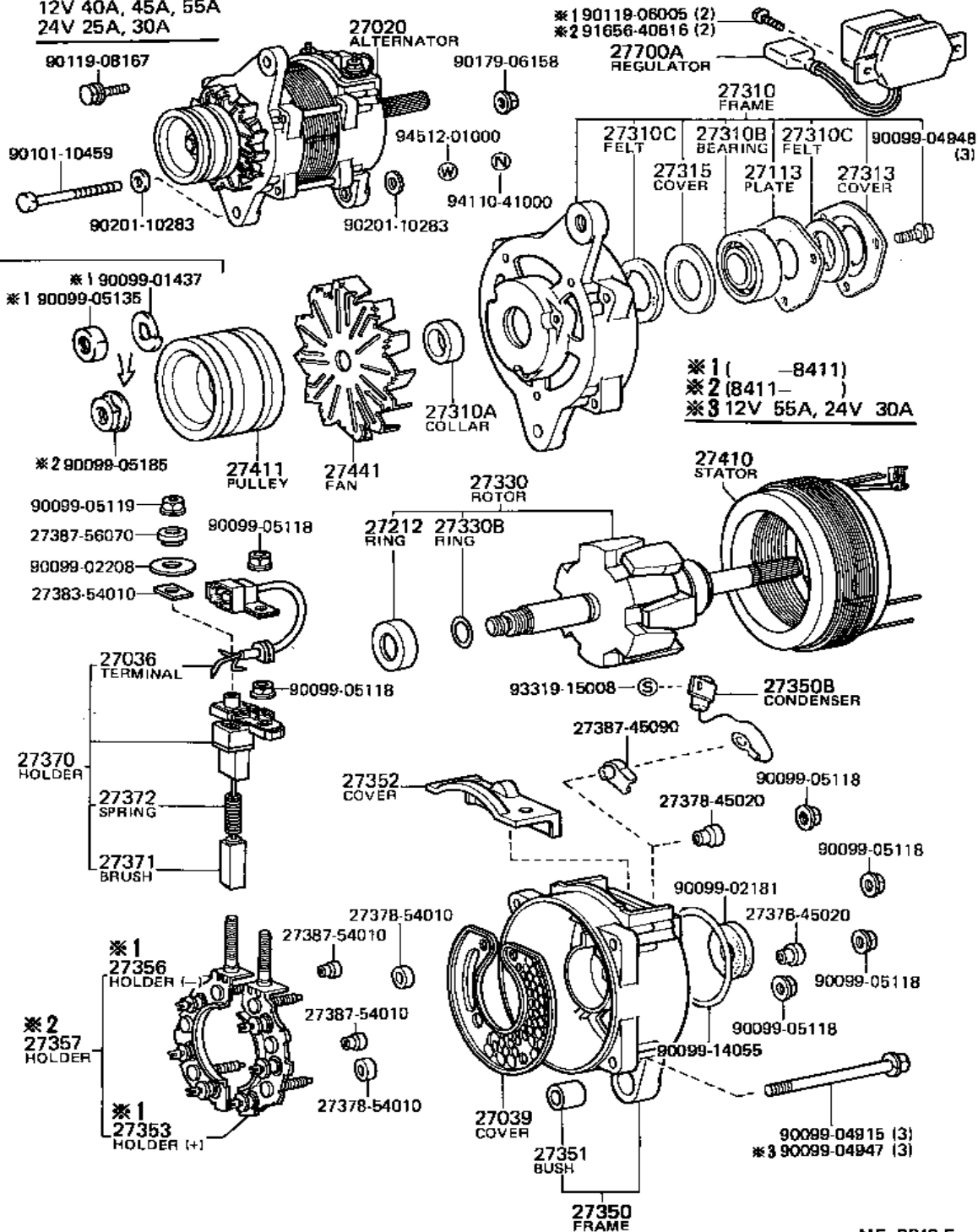
19810

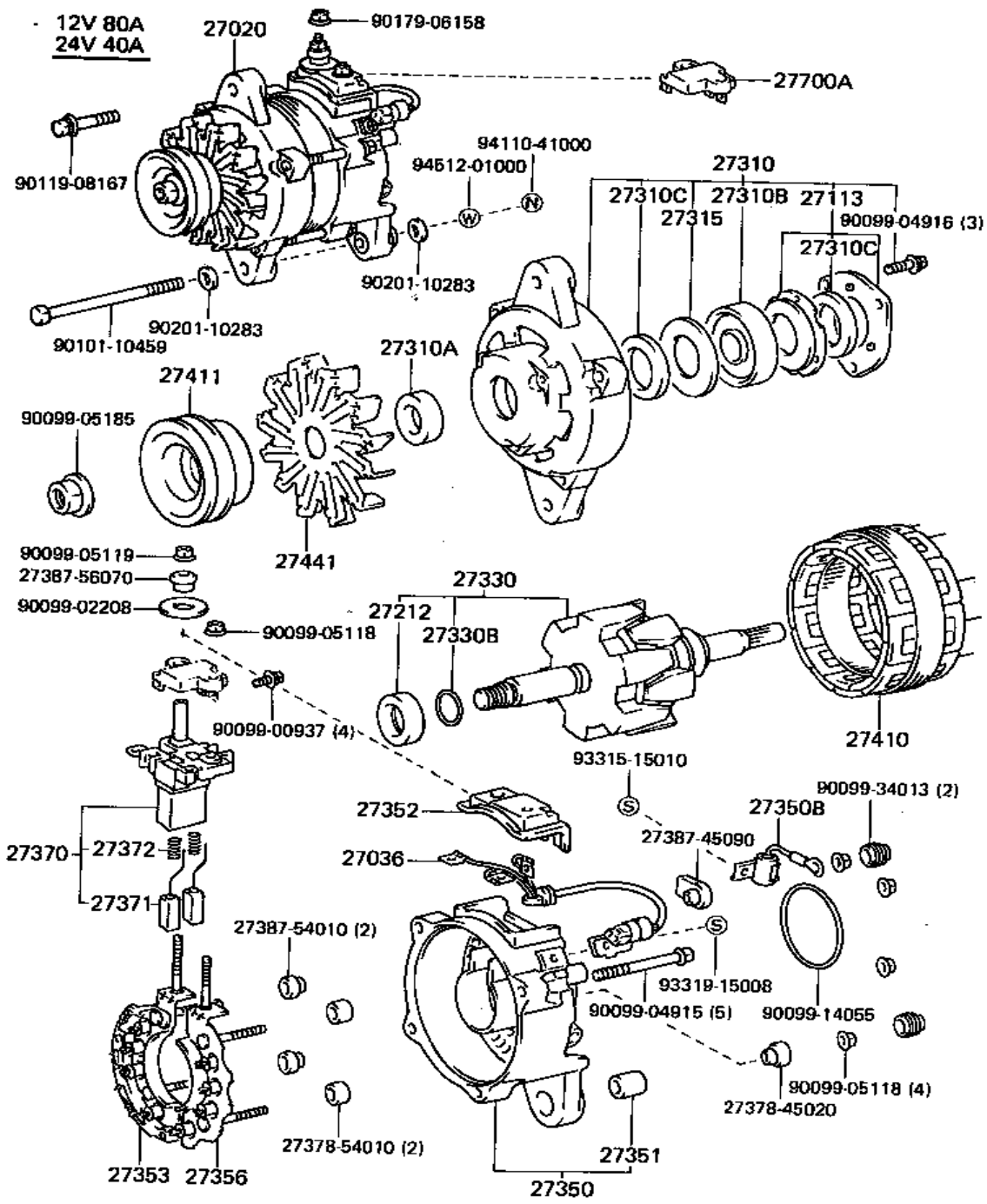
19810

ME G770

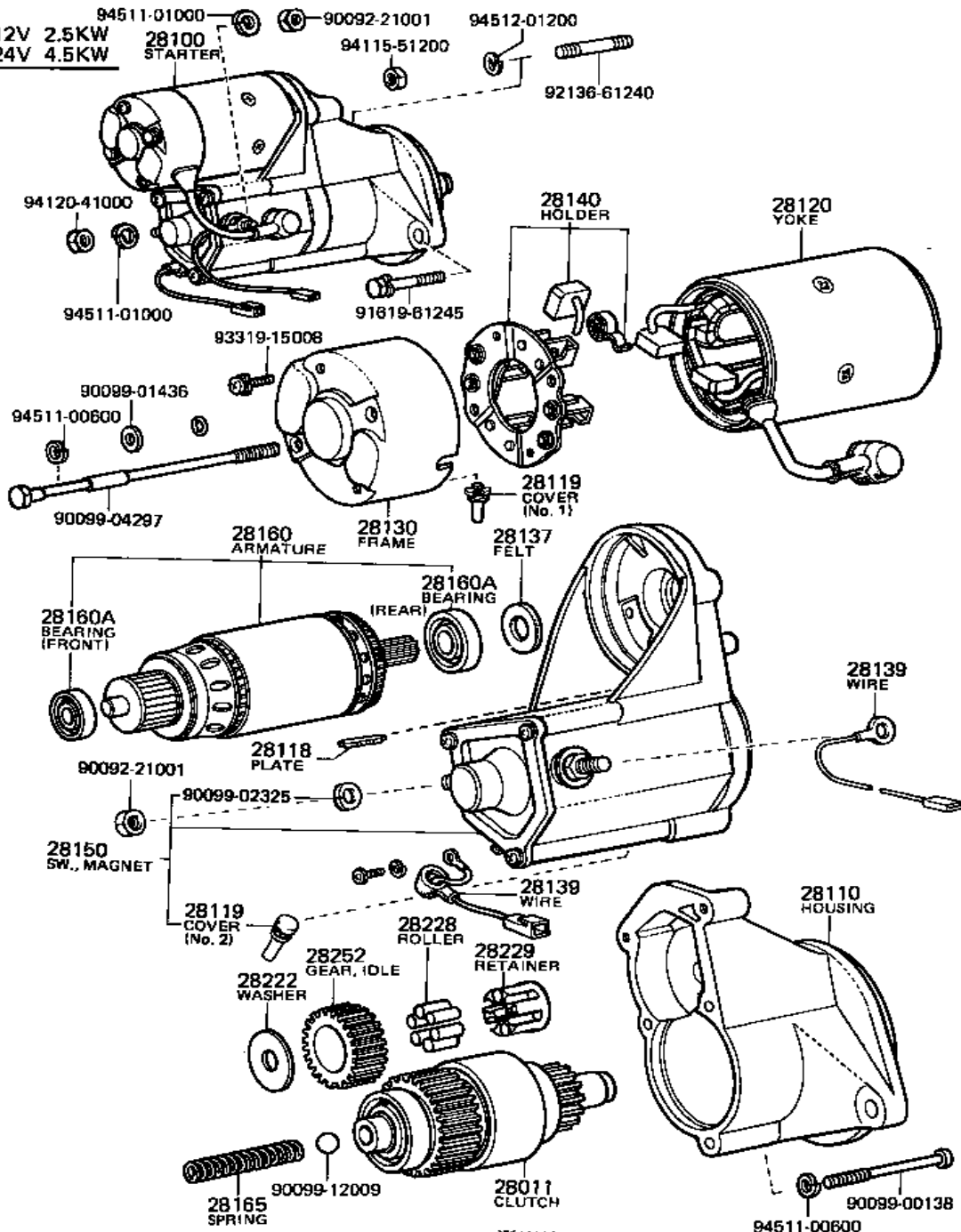


12V 40A, 45A, 55A
24V 25A, 30A

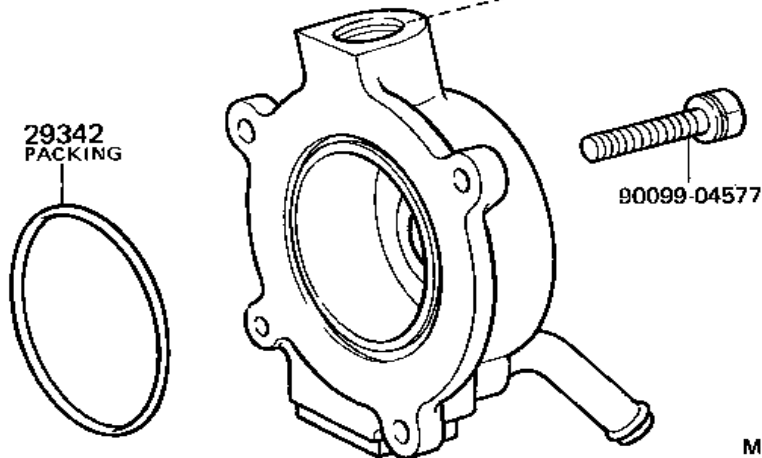
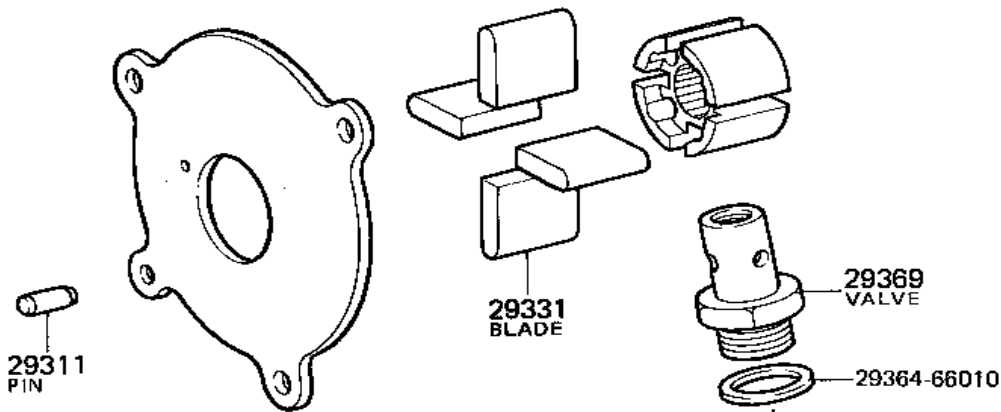
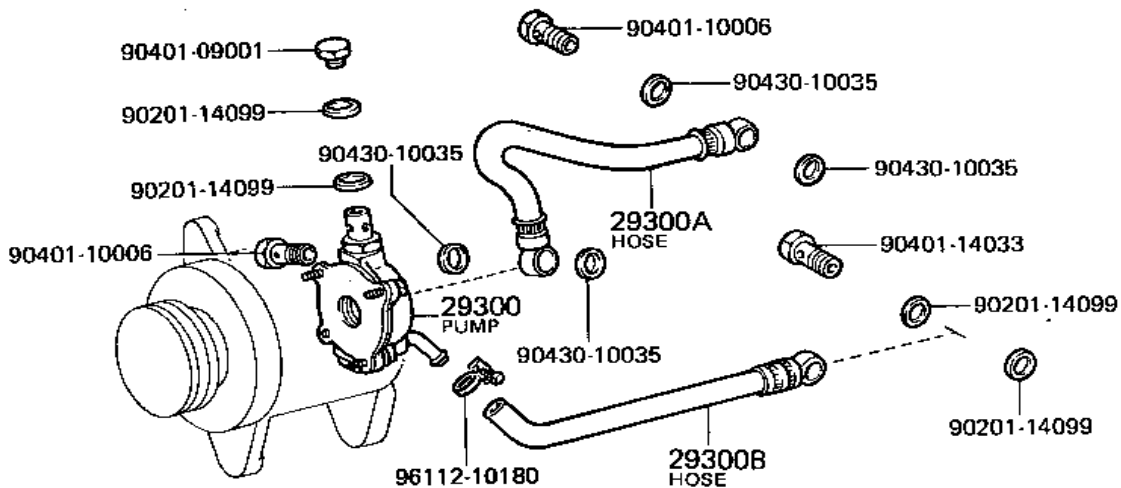


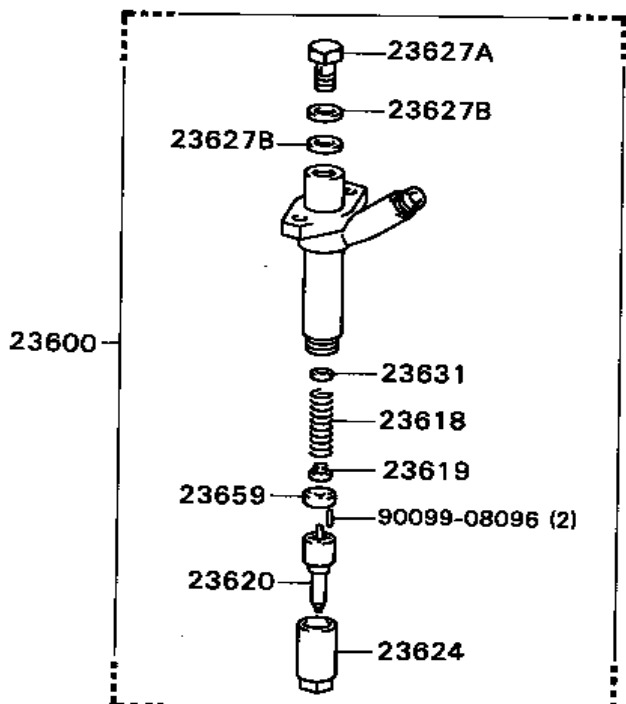
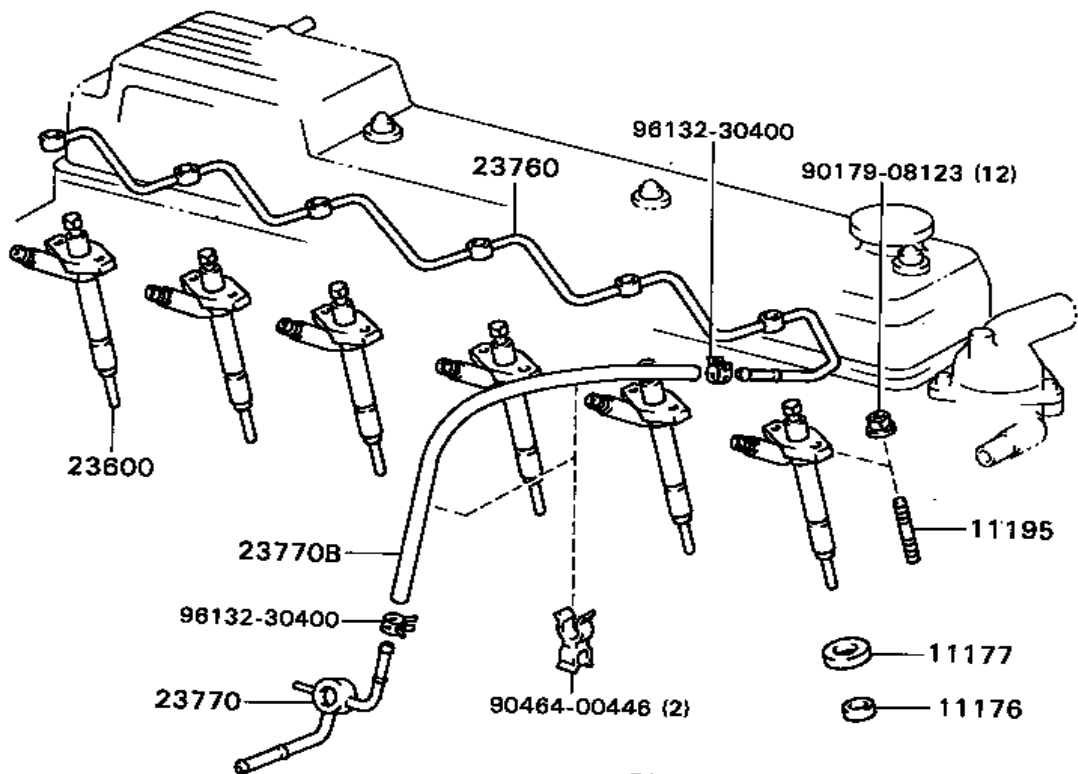


12V 2.5KW
24V 4.5KW

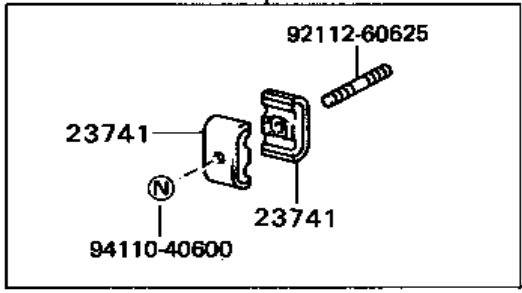


*W/O EDIC

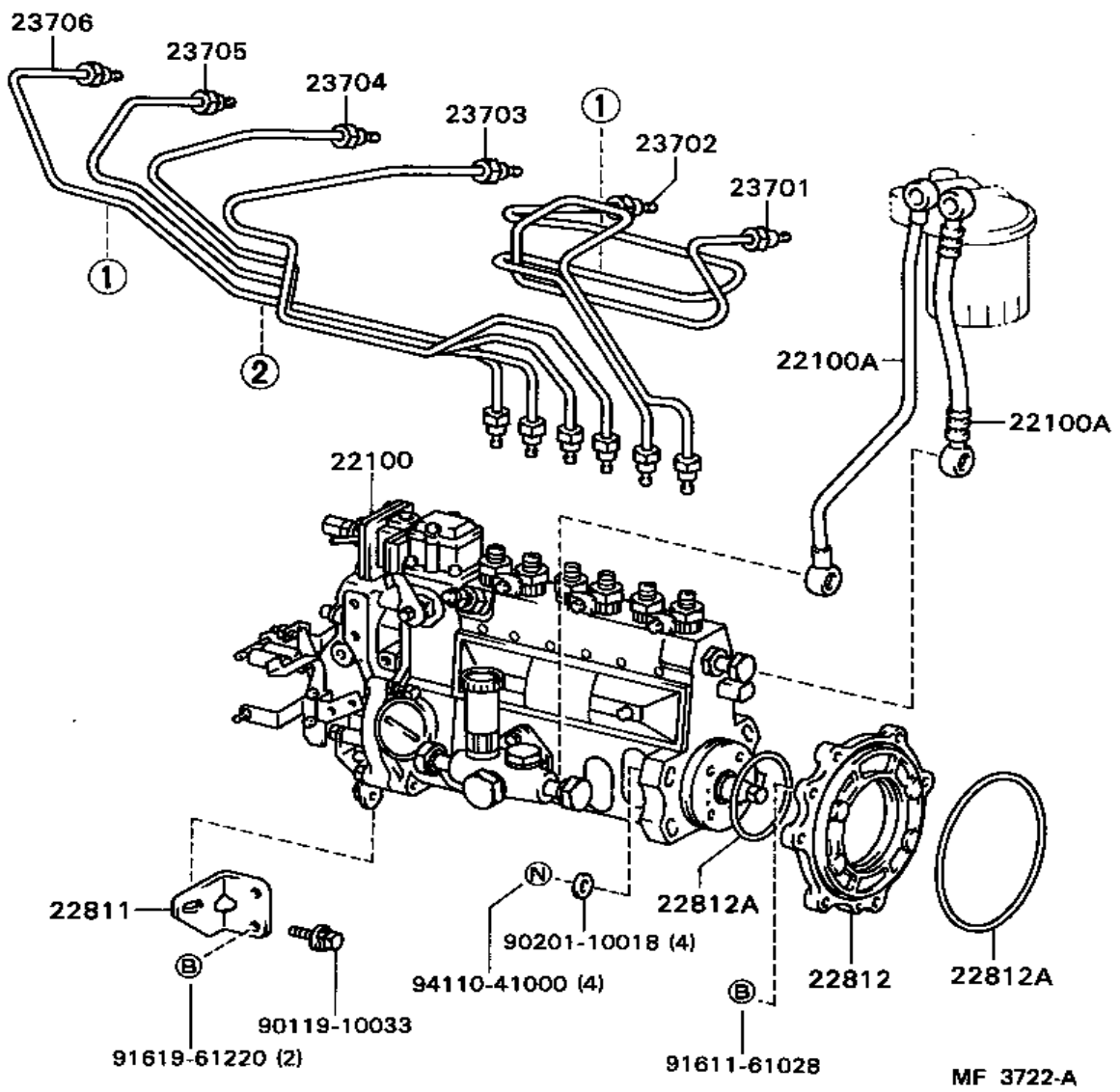
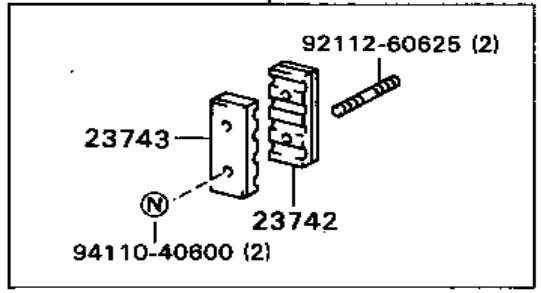


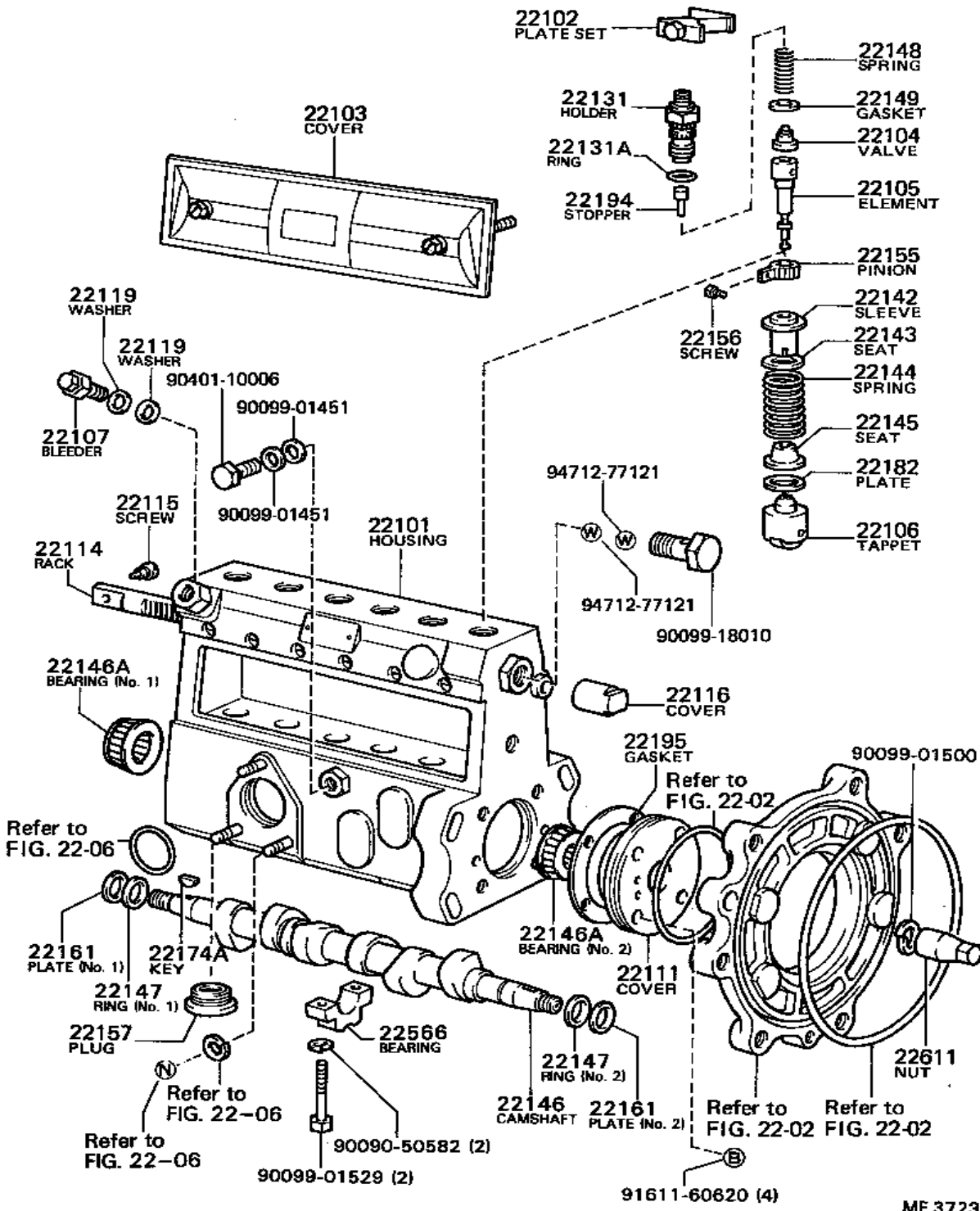


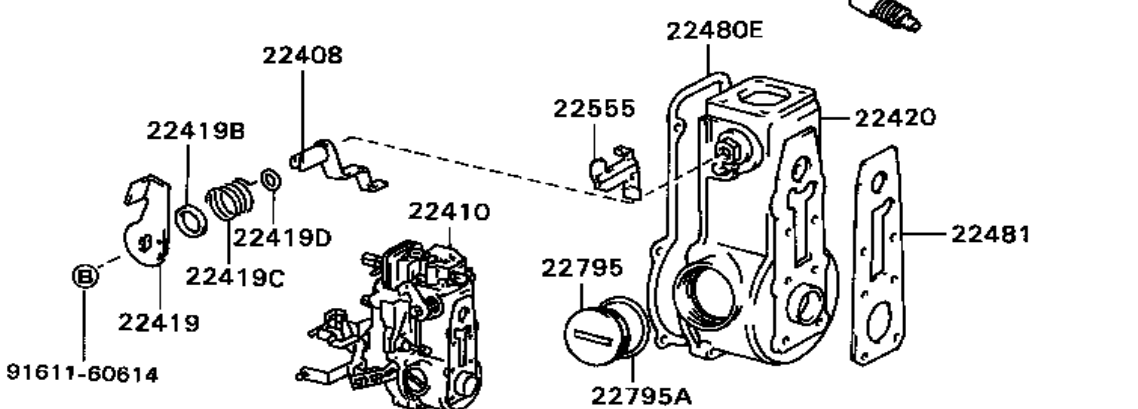
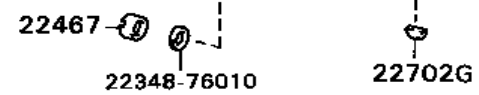
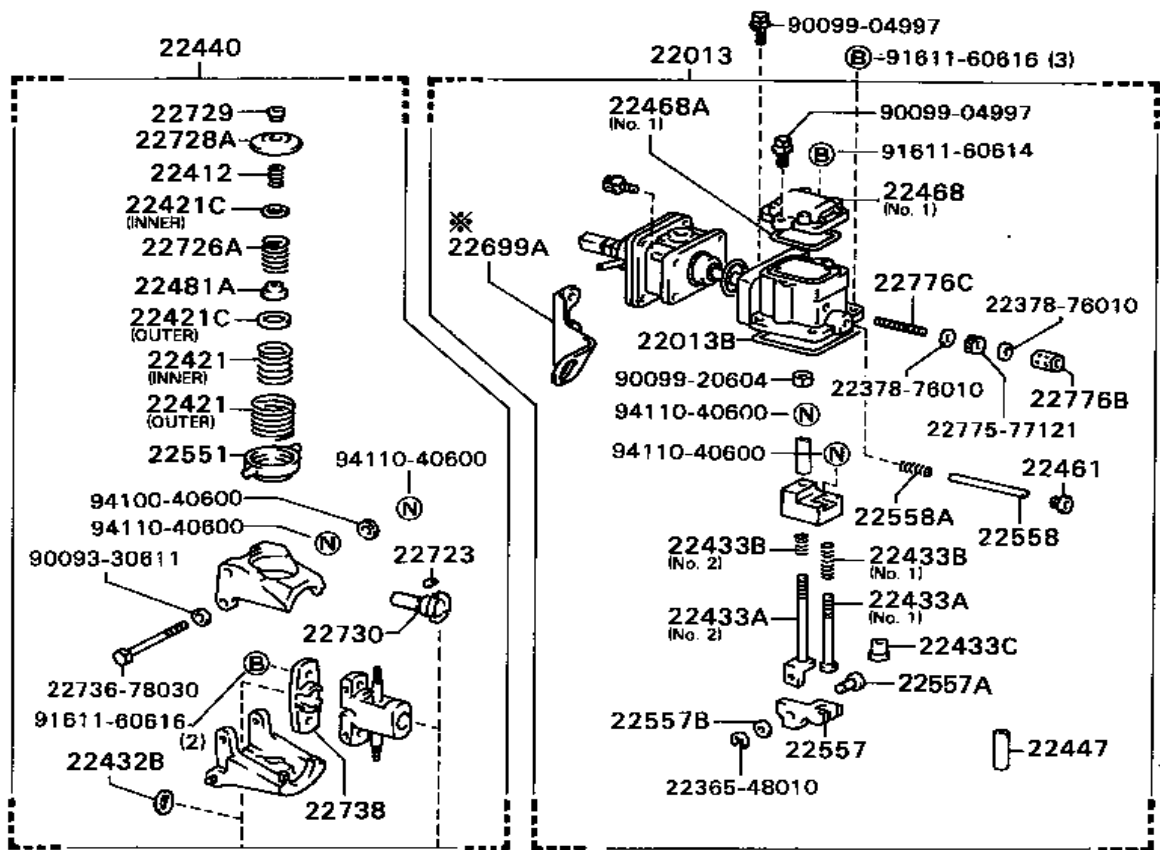
①



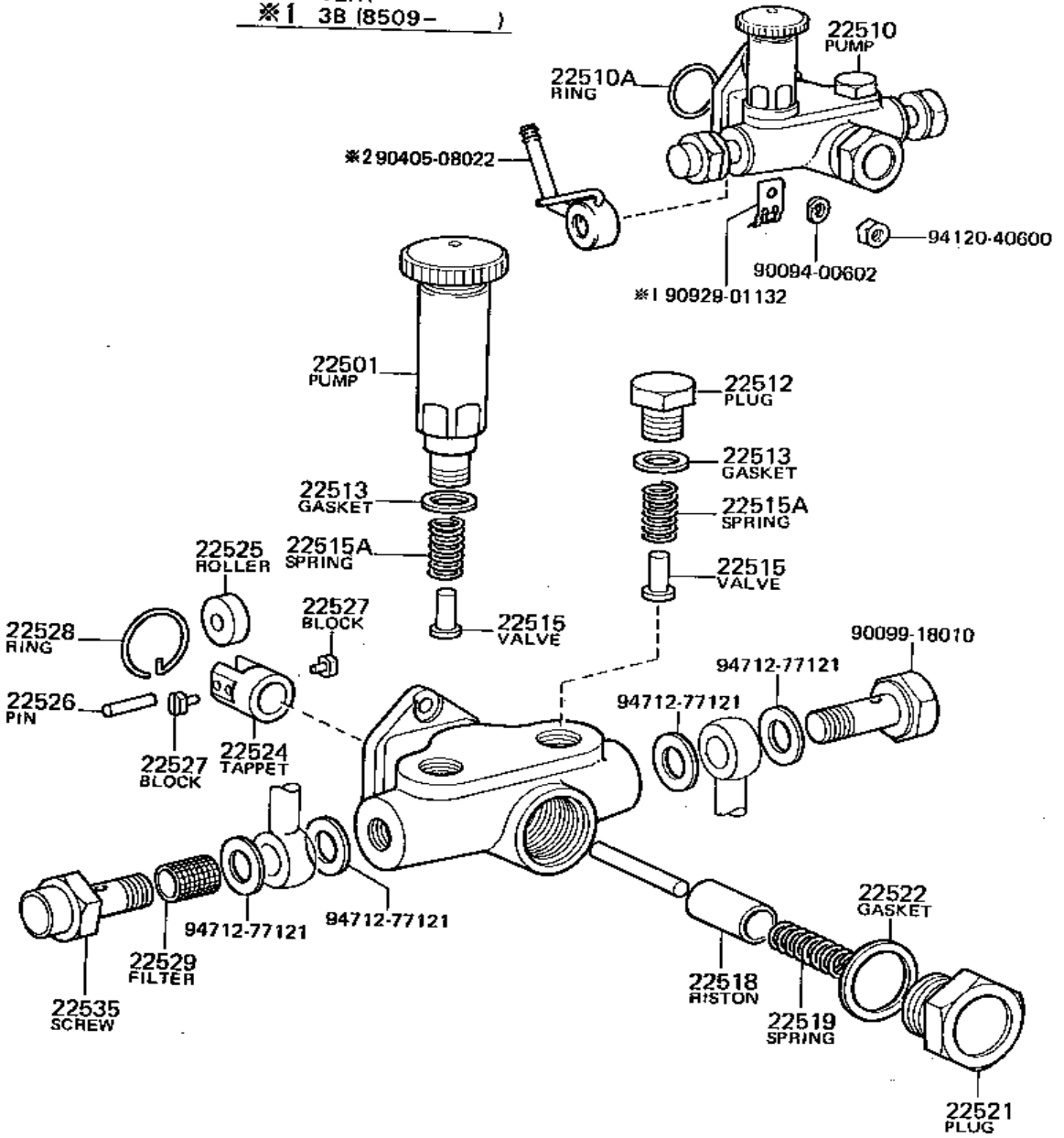
②





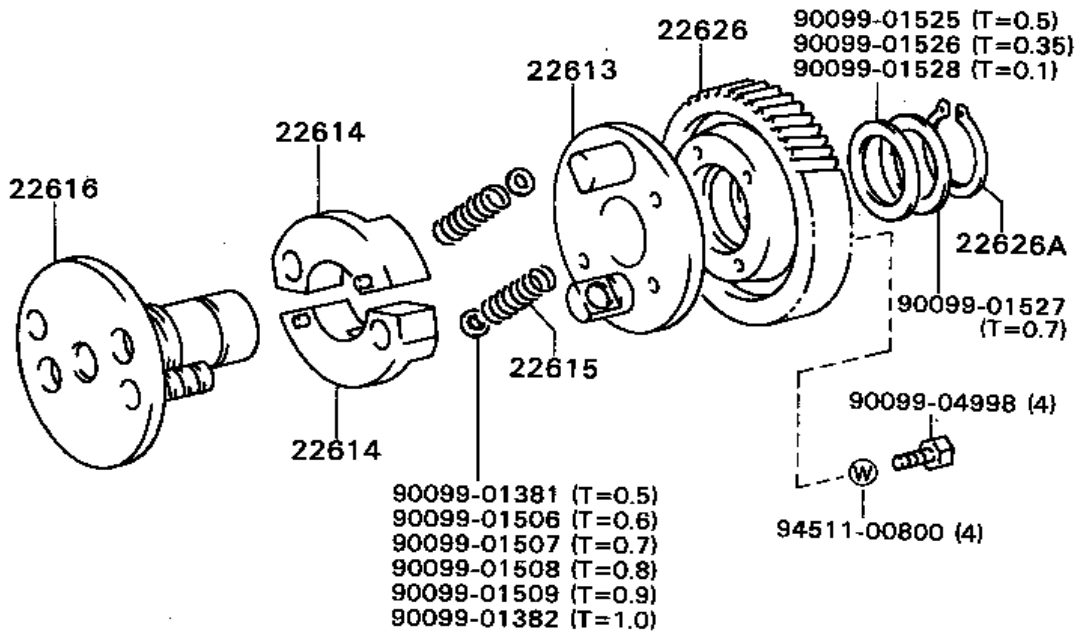


*2 12HT
 *1 3B (8509-)



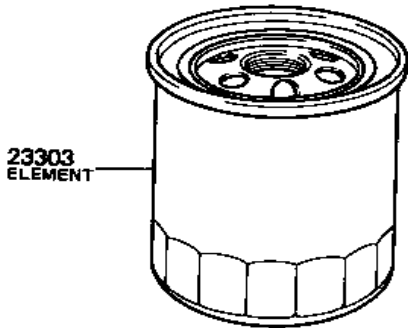
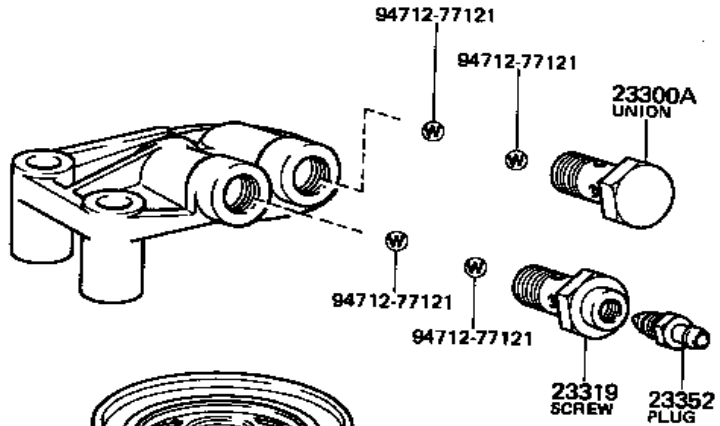
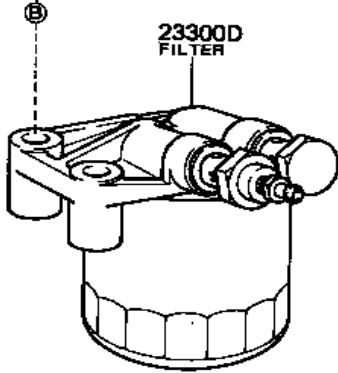
MF 3830

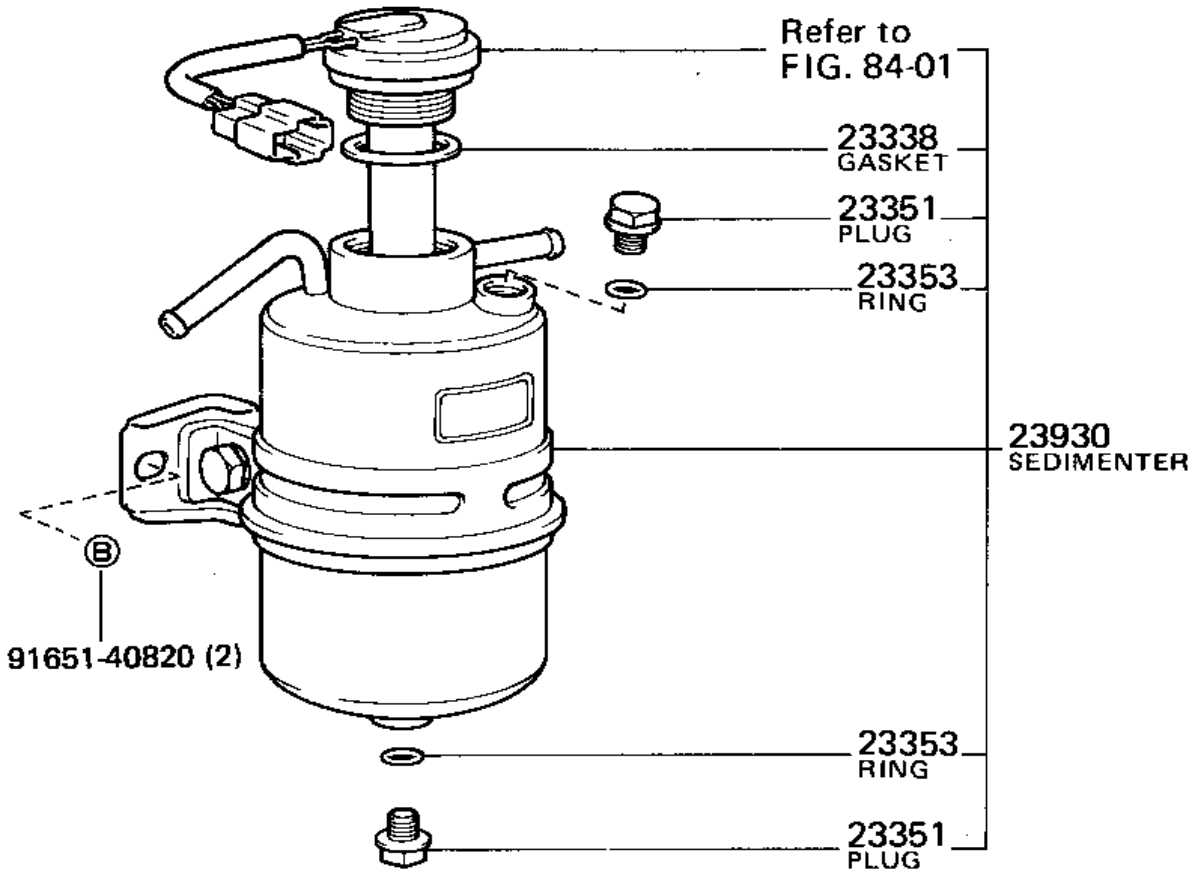
22610



MF 3726

91611-61050 (2)





91611-60840 (2)

90179-08123 (2)

(B)



26100

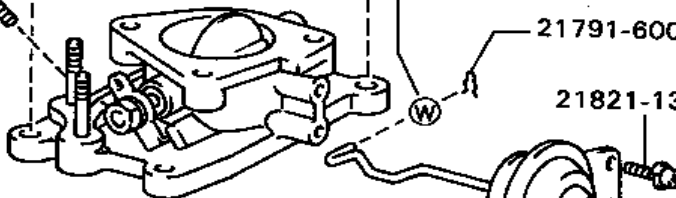
94115-40500 (N)

94811-10400

90079-14001

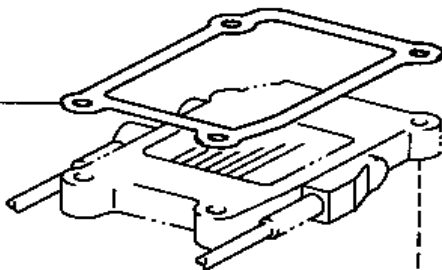
21791-60010

21821-13080 (2)

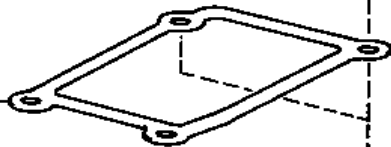


22770

26171



26171



90116-08221 (2)

MF 3727