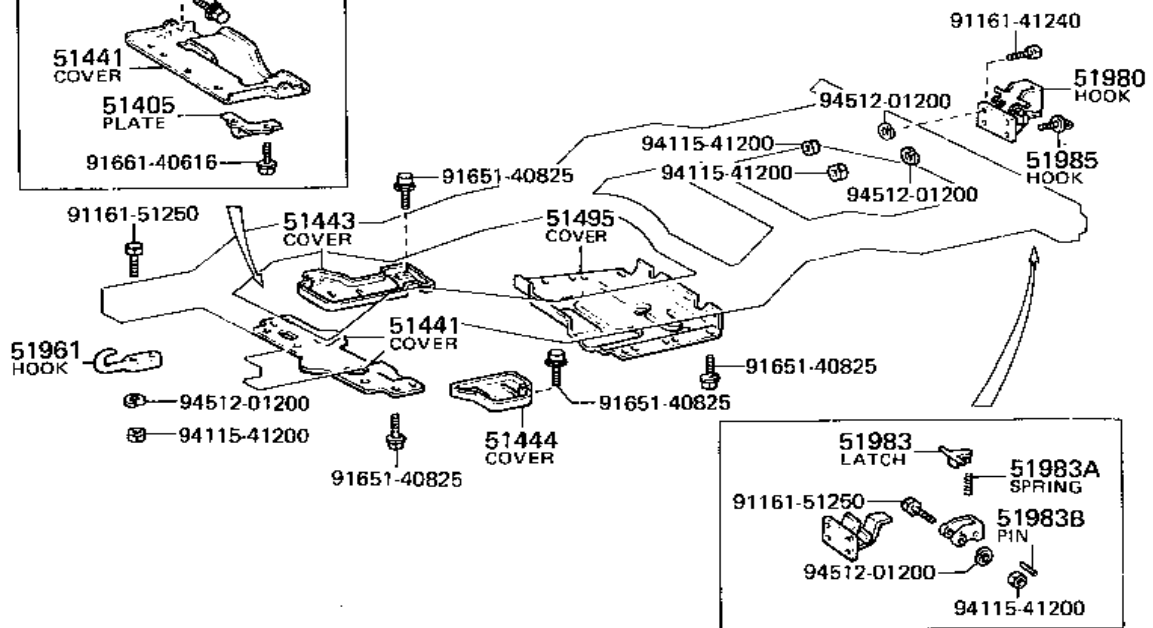
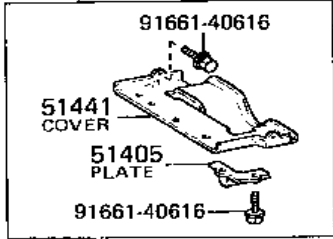
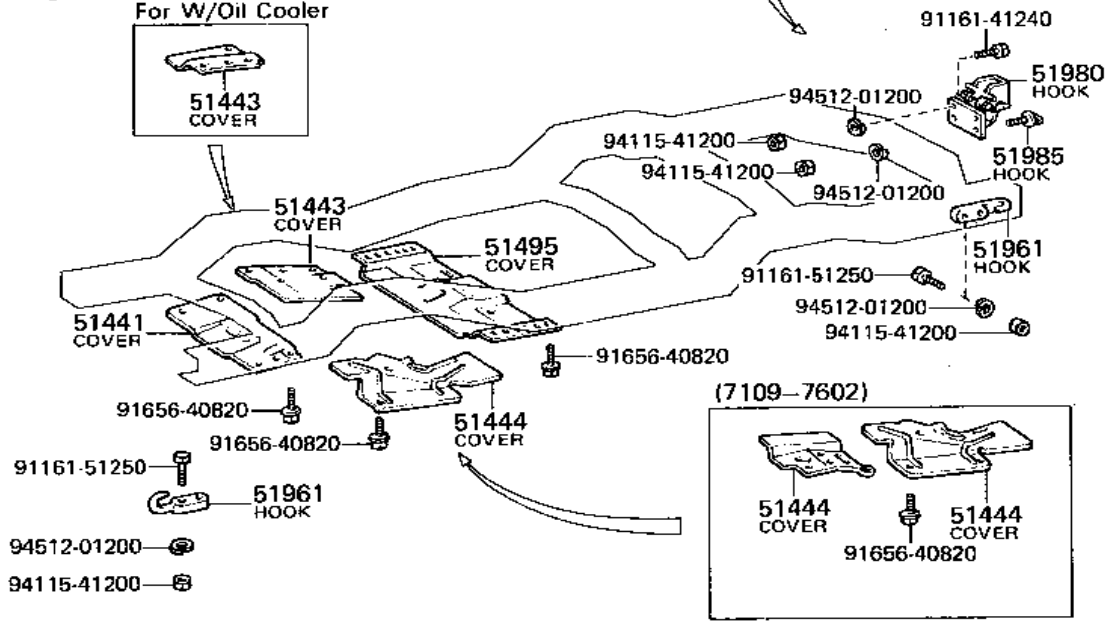


FJ4# (6903-7901)

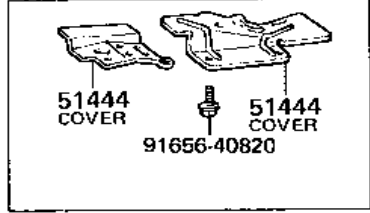


FJ55

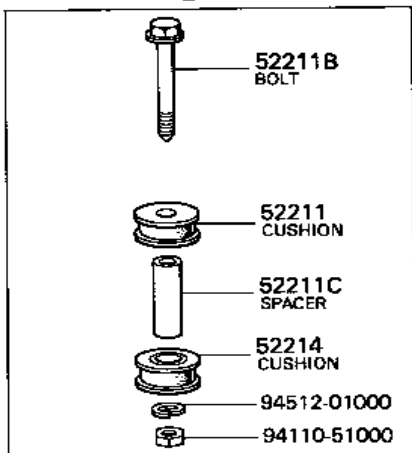
For W/Oil Cooler



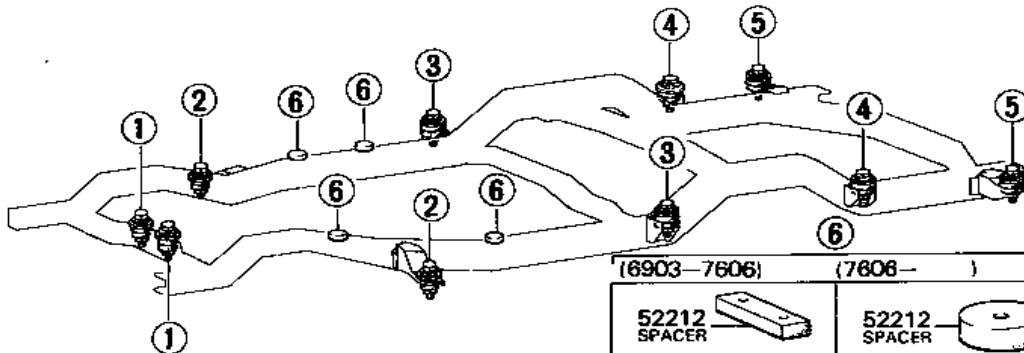
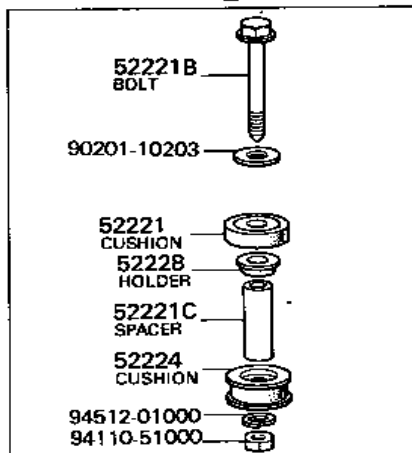
(7109-7602)



①

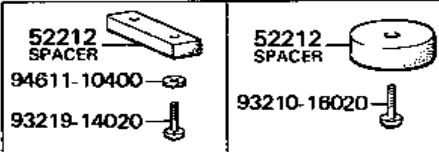


②

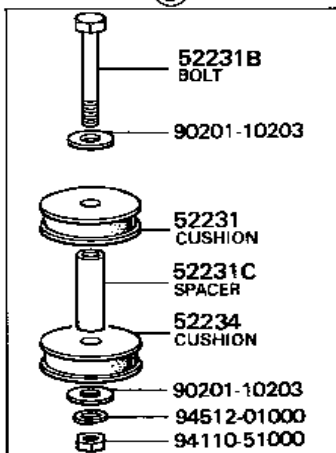


(6903-7606)

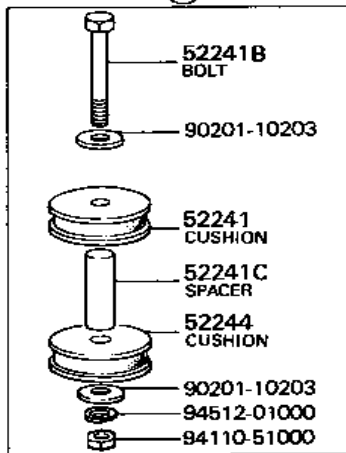
(7608-)



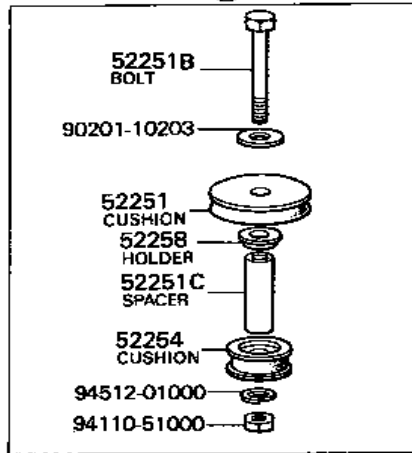
③



④

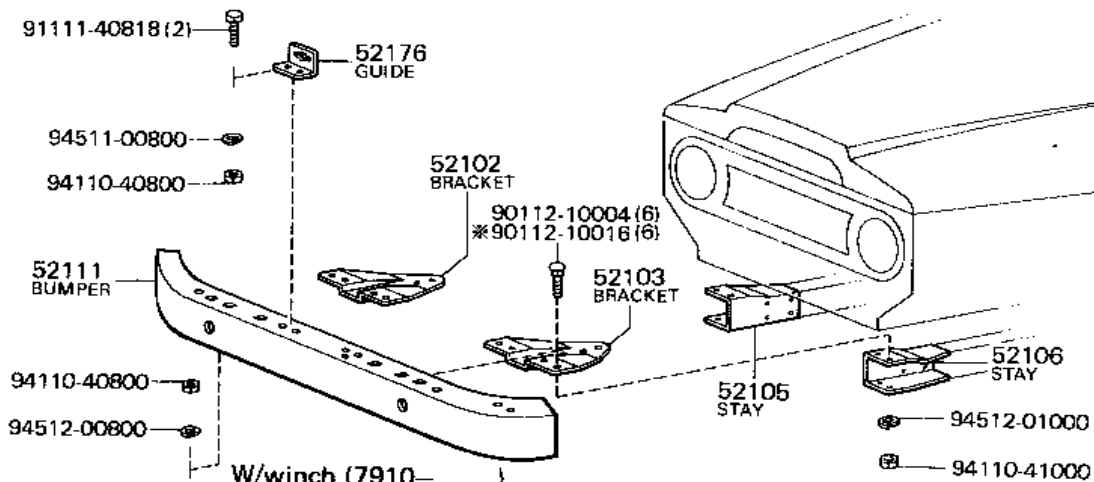


⑤



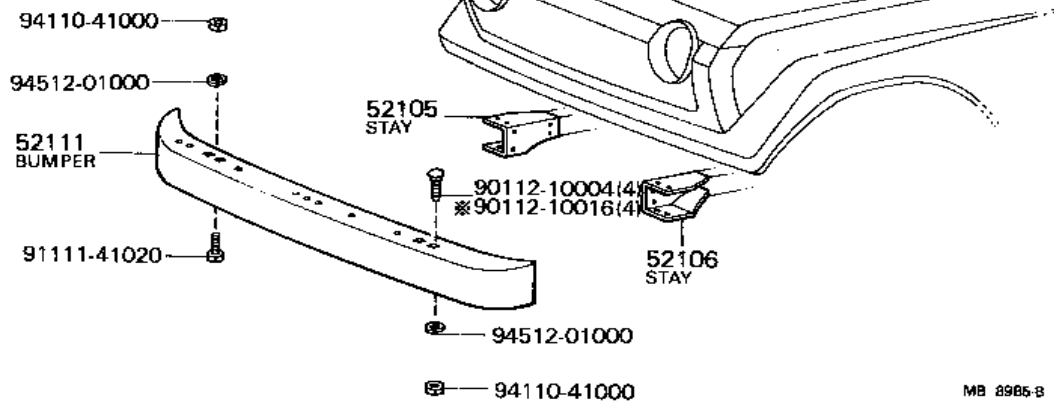
FJ4#,HJ45,BJ4#

Refer to
FIG 75-54

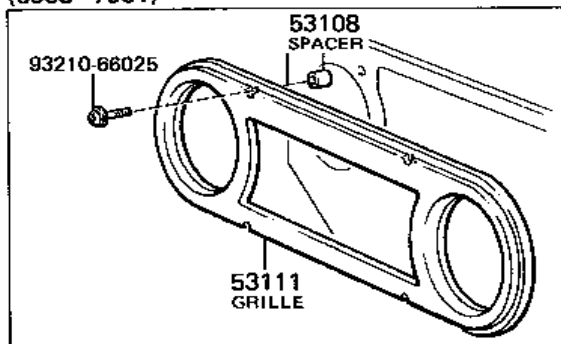


*For Chrom Plated

FJ55

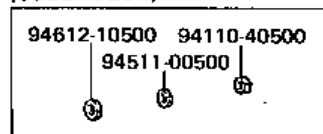


(6903-7901)



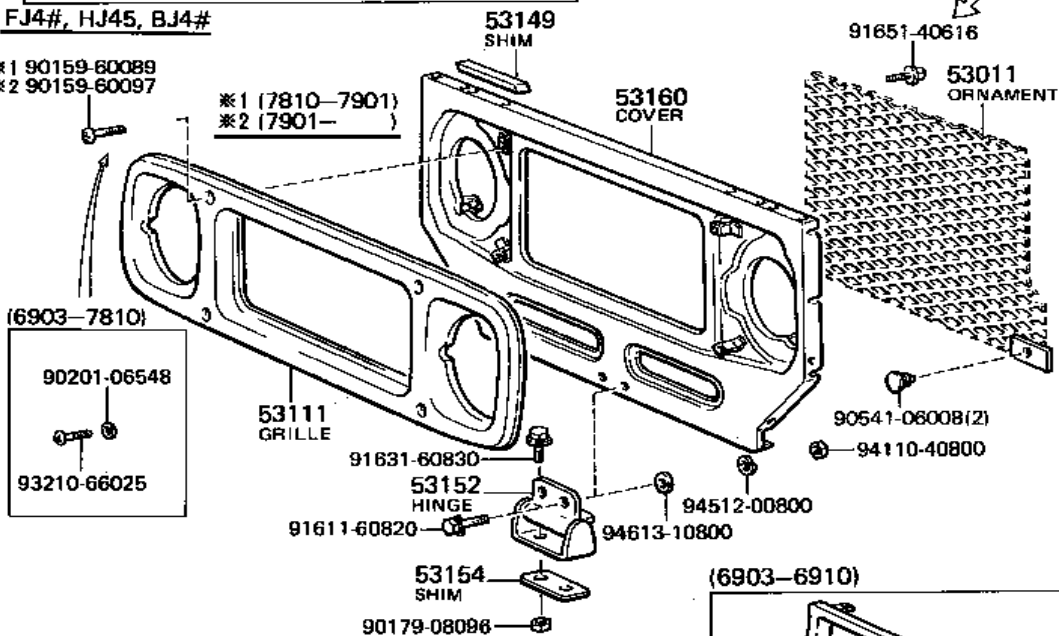
FJ4#, HJ45, BJ4#

(6903-7204)



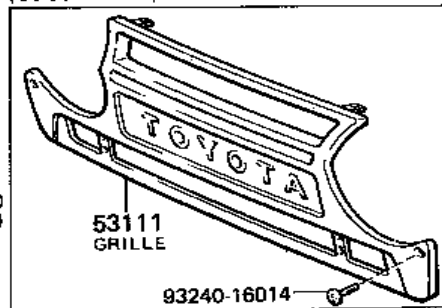
*1 90159-60089
*2 90159-60097

*1 (7810-7901)
*2 (7901-)

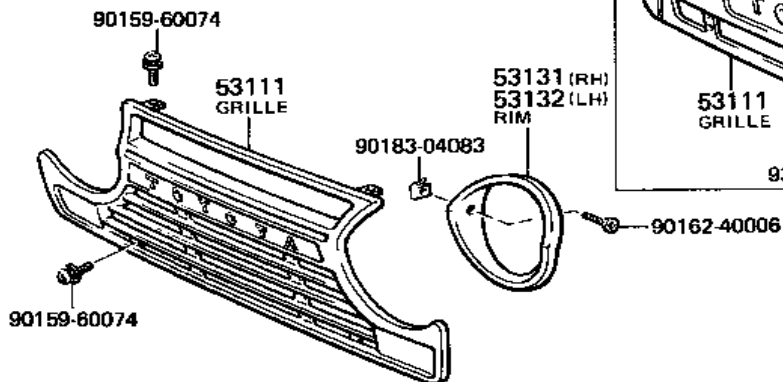


(6903-7810)

(6903-6910)



FJ55



L/Wiper

- *1 90950-01139
- *2 53399-90300



- *1 (7209-7501)
- *2 (7207-7209)
- *3 (6903-7706)

53341
SILENCER

91621-40820 (7)

53301
HOOD

90467-10165

53882
PACKING

53884 (RH)
53887 (LH)
SEAL

53894A
COVER

90159-60088

*353387-30010

53893A
PACKING

53801
FENDER

53801
FENDER

53881
BUMPER

53881
BUMPER

91651-40818 (2)

91655-40818 (4)

90119-06082 (10)

90119-06082

58175
SHROUD

53802
FENDER

91651-40616

53802
FENDER

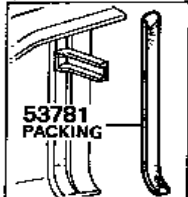
91651-40616

(6903-7804)

(7804-)

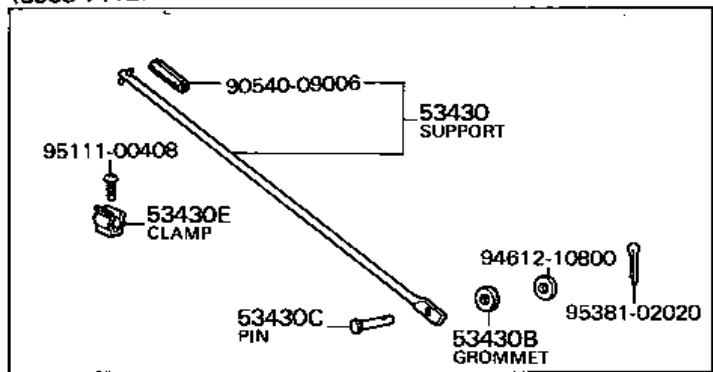


53781
PACKING

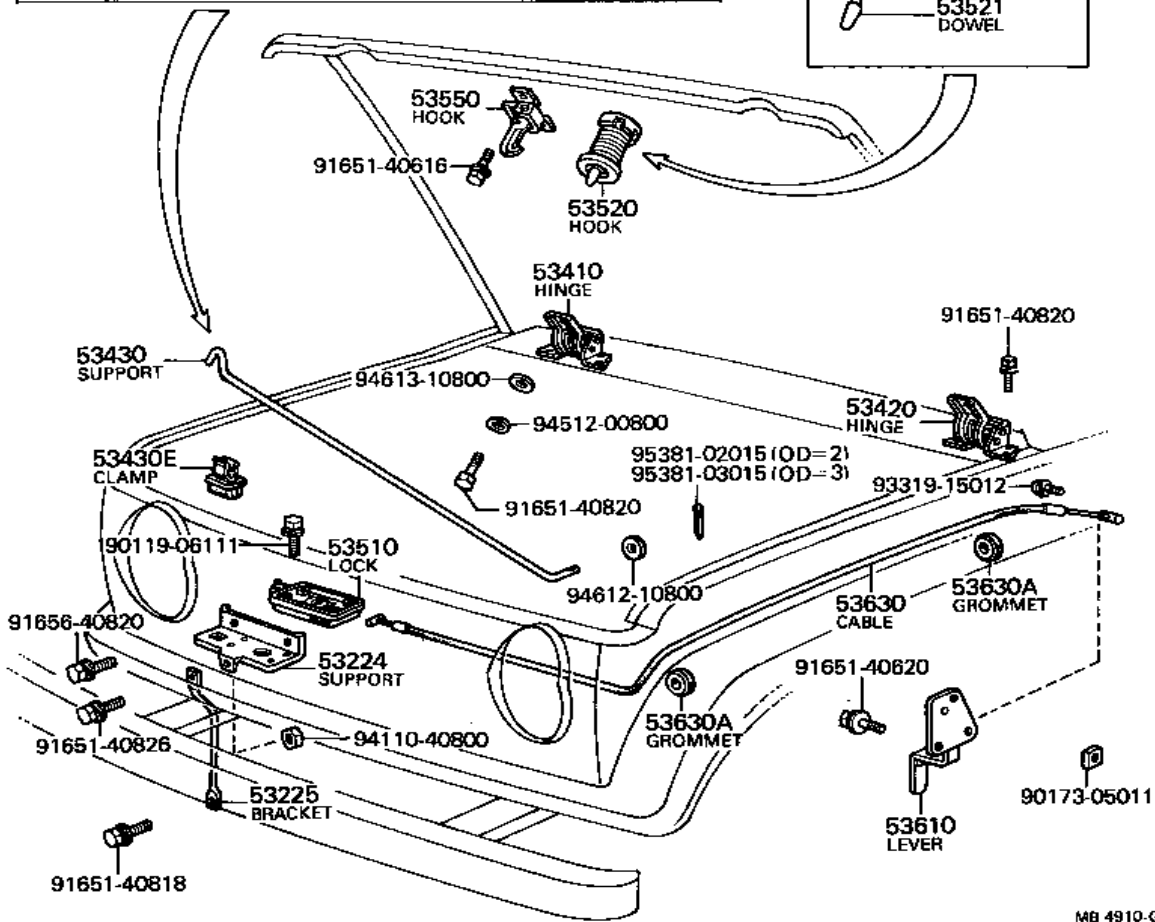
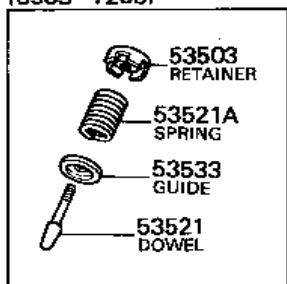


53781
PACKING

(6903-7112)



(6903-7203)



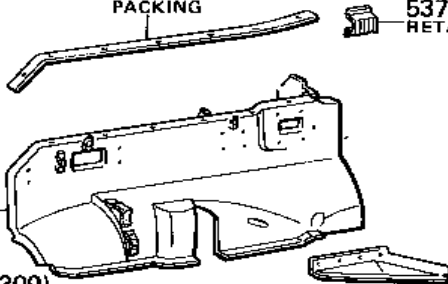
53817
PACKING

53727
RETAINER

55101E
GROMMET

55101A
PLUG

55101F
GROMMET



53701
APRON

91651-40818

55299-30010

91111-40610

55101F
GROMMET

91651-40814

*55101
PANEL

(7303-7309)

53221A
CLIP

90159-50134

53715
PLATE

53201
SUPPORT

53239
SEAL

55101A
PLUG

55101F
GROMMET

55101G
GROMMET

91111-40810

90119-06111

53022A
BRACKET

53208
SUPPORT

53239
SEAL

53239
SEAL

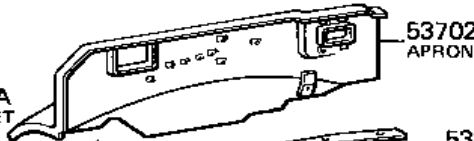
53715A
PLATE

* (7708-

53023A
BRACKET

91651-40818

53745A
BRACKET



53702
APRON

53023A
BRACKET

91651-40620

53221
SEAL

53818
PACKING

91651-40616

53823
SEAL

53821 (RH)

53822 (LH)

PLATE

91611-40616

91655-40820

(7303-7309)

53221A
CLIP

(6903-7203)

* (6903-7109)

53701 (RH)
53702 (LH)
APRON

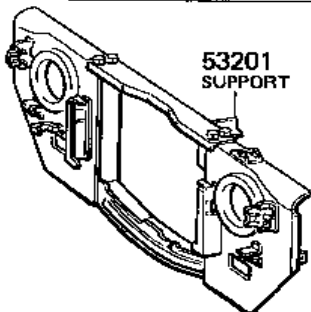
53775 (RH)
53776 (LH)
PLATE

*53723
BRACKET

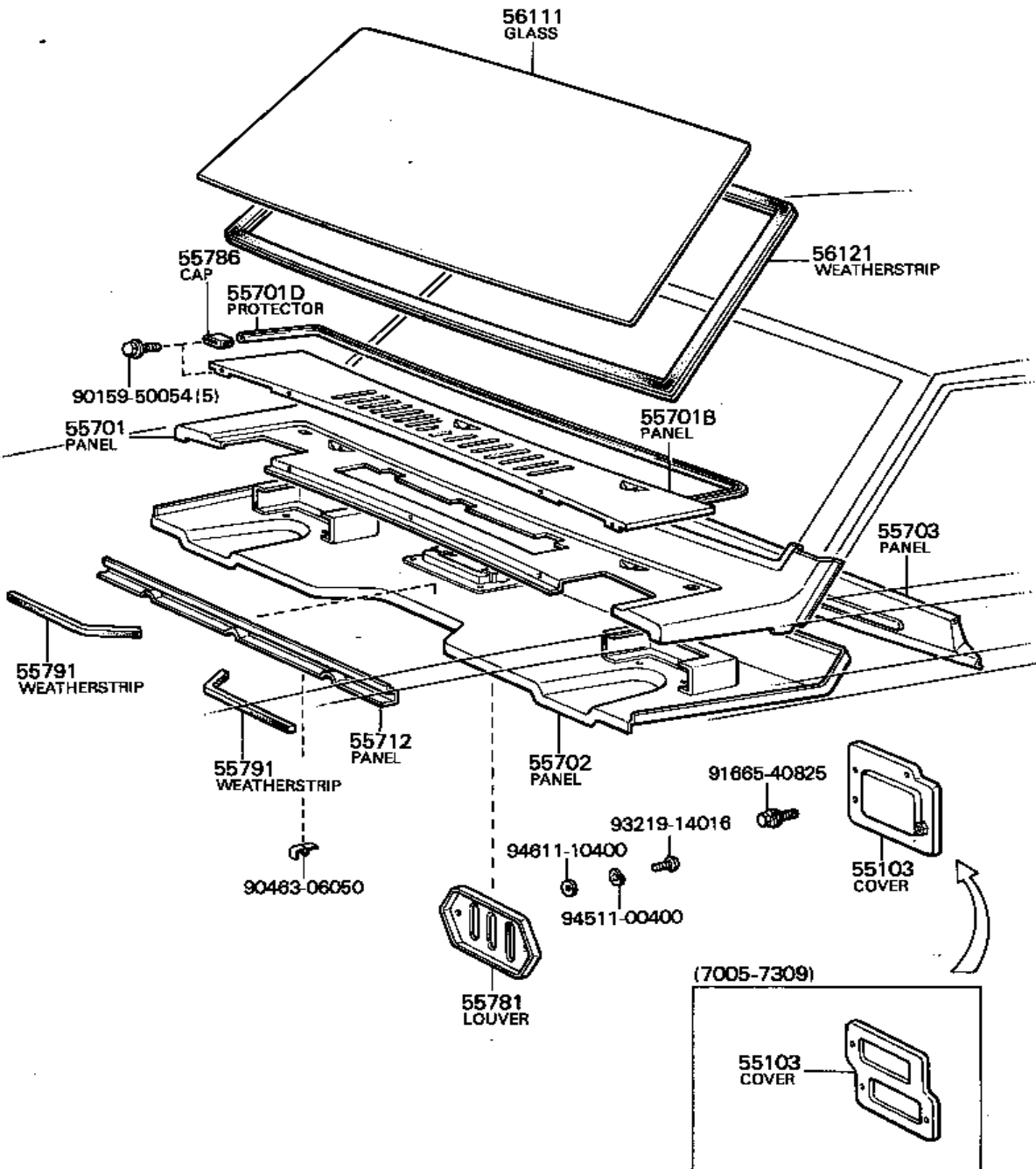
53717 (RH)
53718 (LH)
PLATE

*53728 (RH)
53729 (LH)
SEPARATE

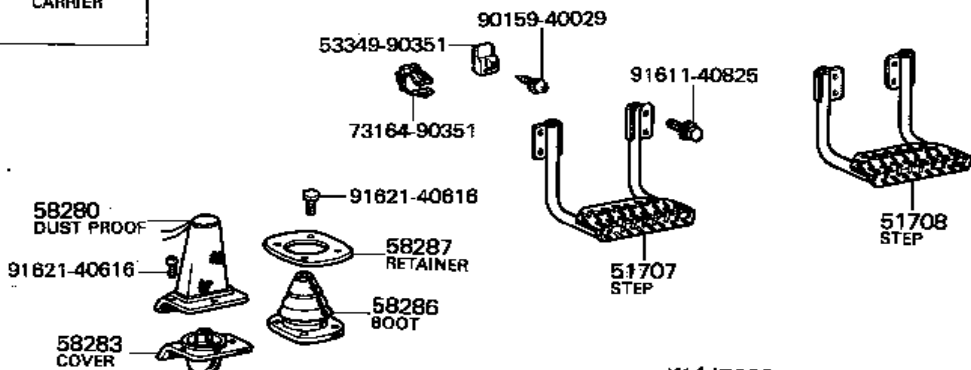
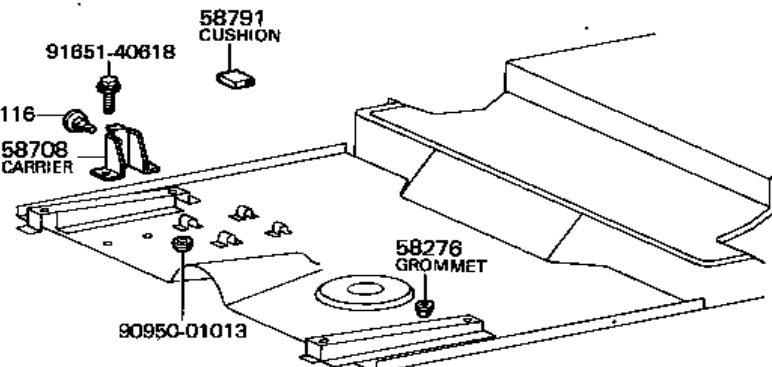
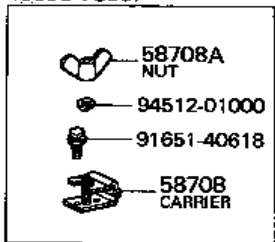
(6903-7808)



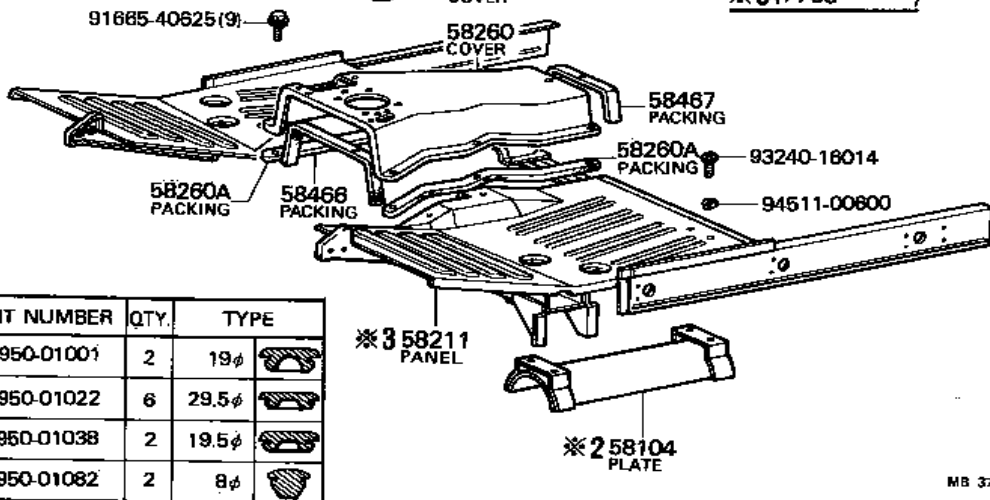
53201
SUPPORT



(6903-7309)

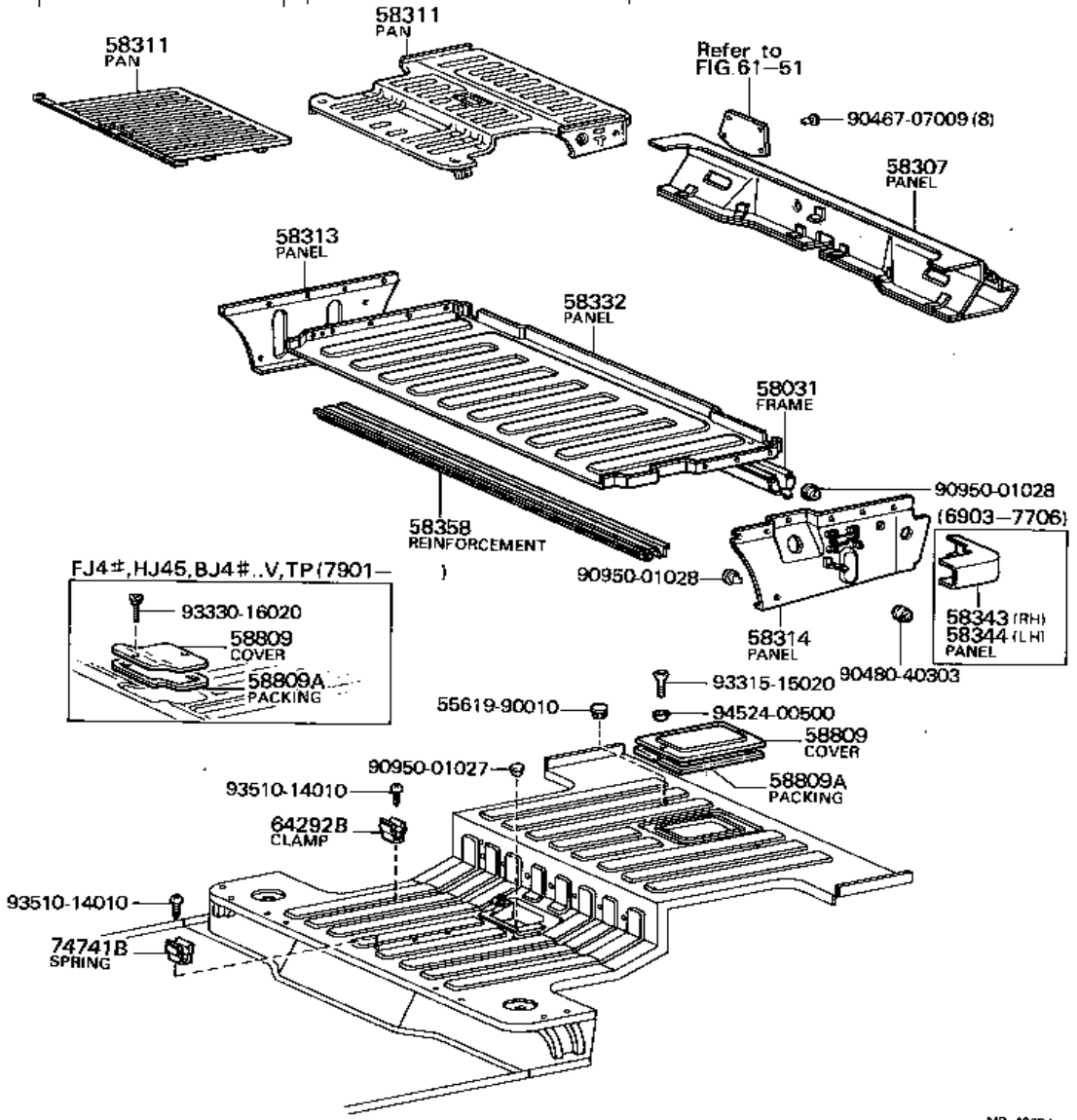


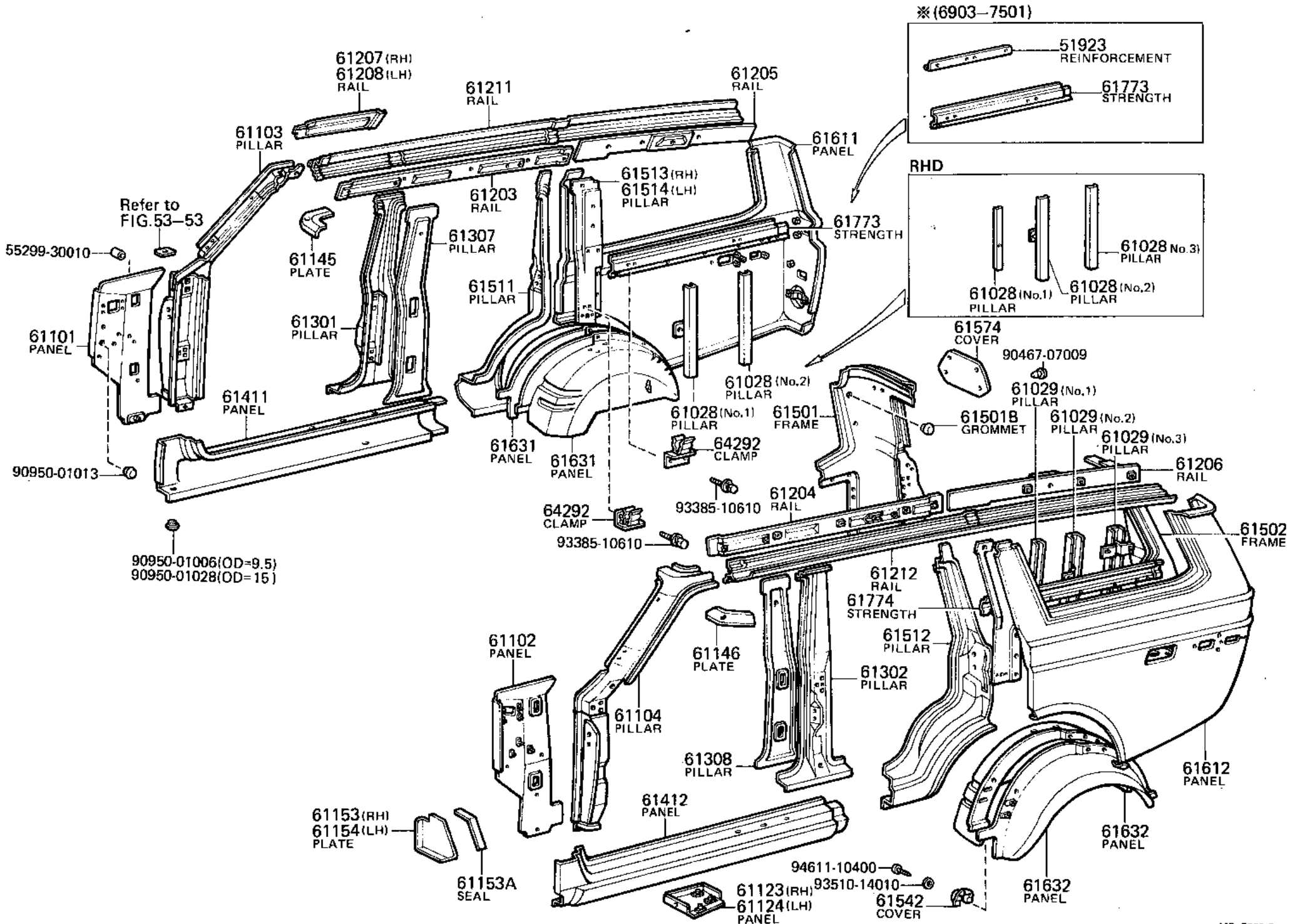
*1 (7309-7709)
*2 (6903-7501)
*3 (7708-)

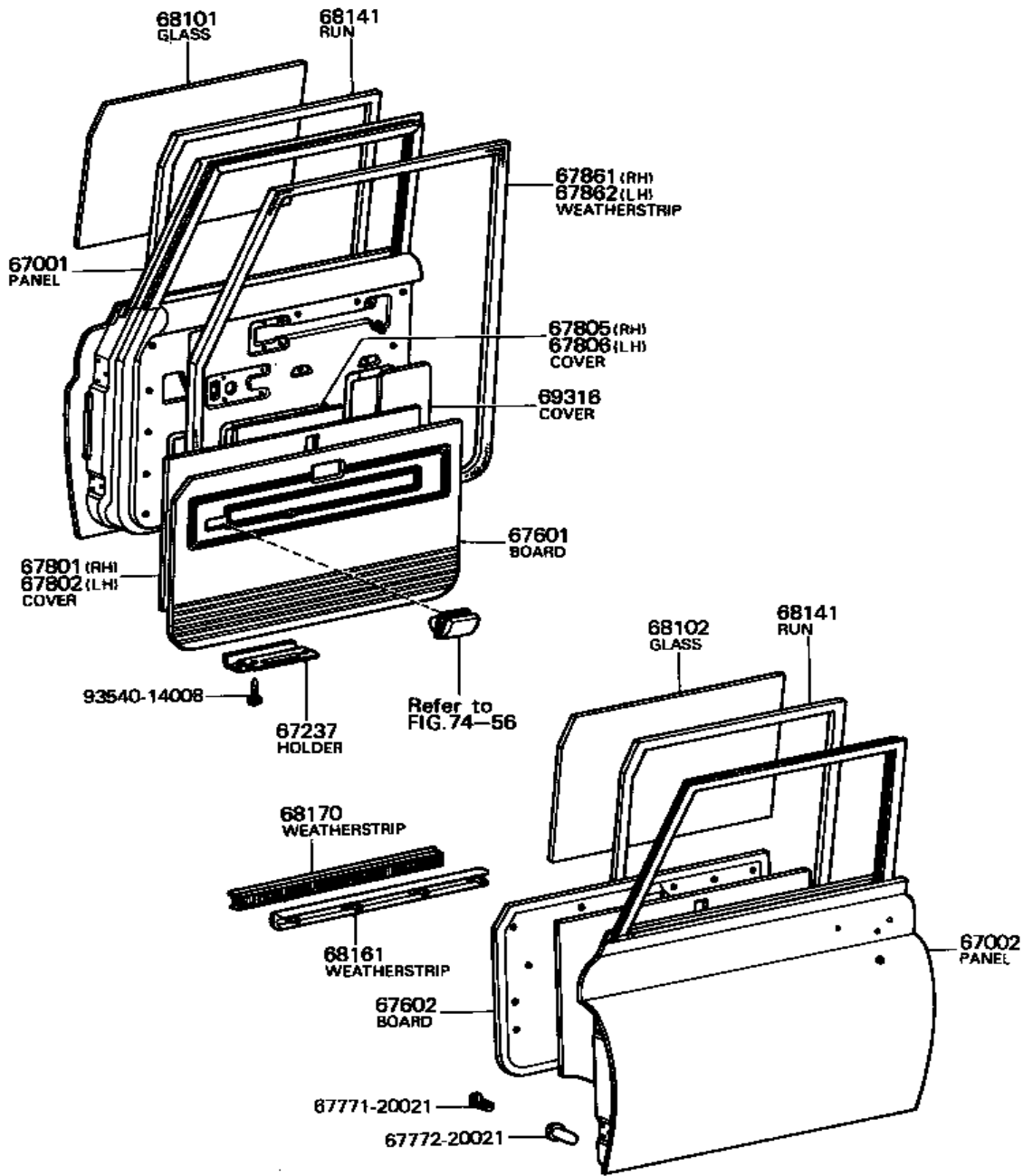


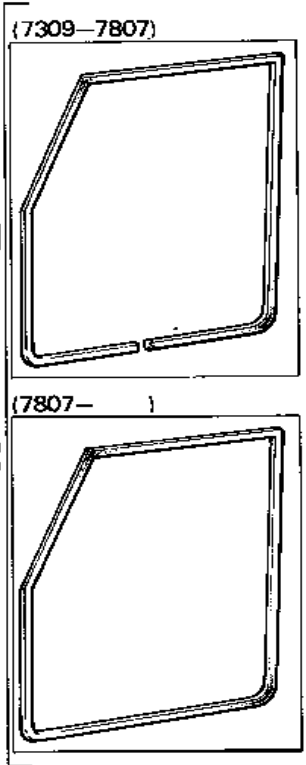
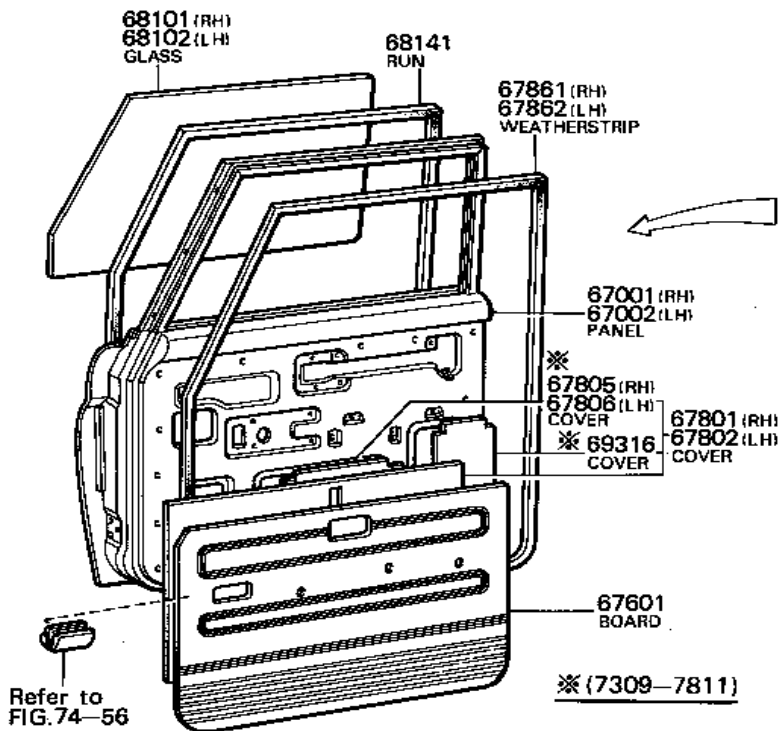
PART NUMBER	QTY.	TYPE
90950-01001	2	19φ
90950-01022	6	29.5φ
90950-01038	2	19.5φ
90950-01082	2	8φ

FJ4#, HJ45,
 BJ4# . . . -Pic (8002-) FJ55 (8002-)

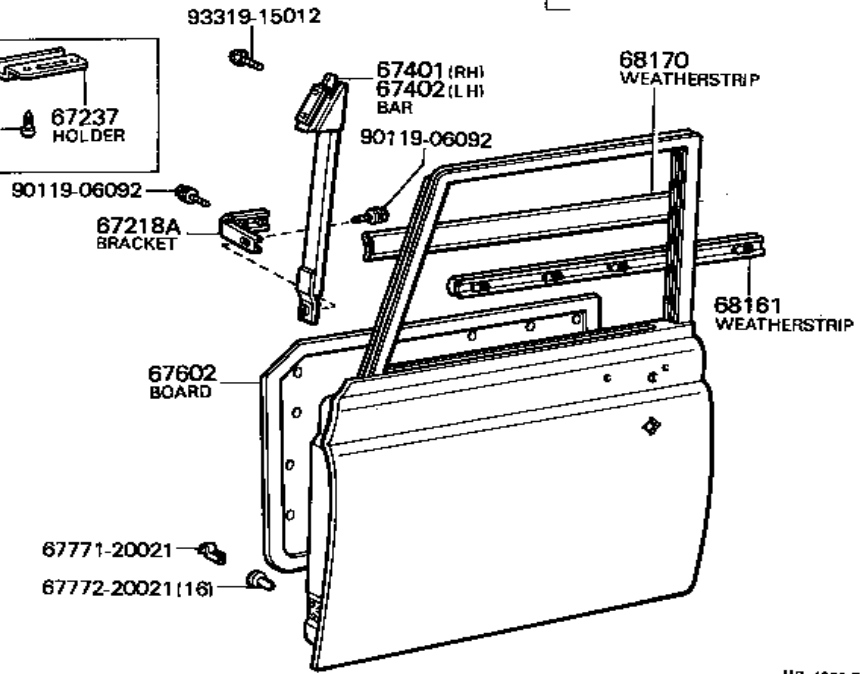
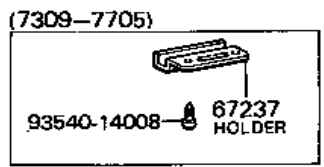




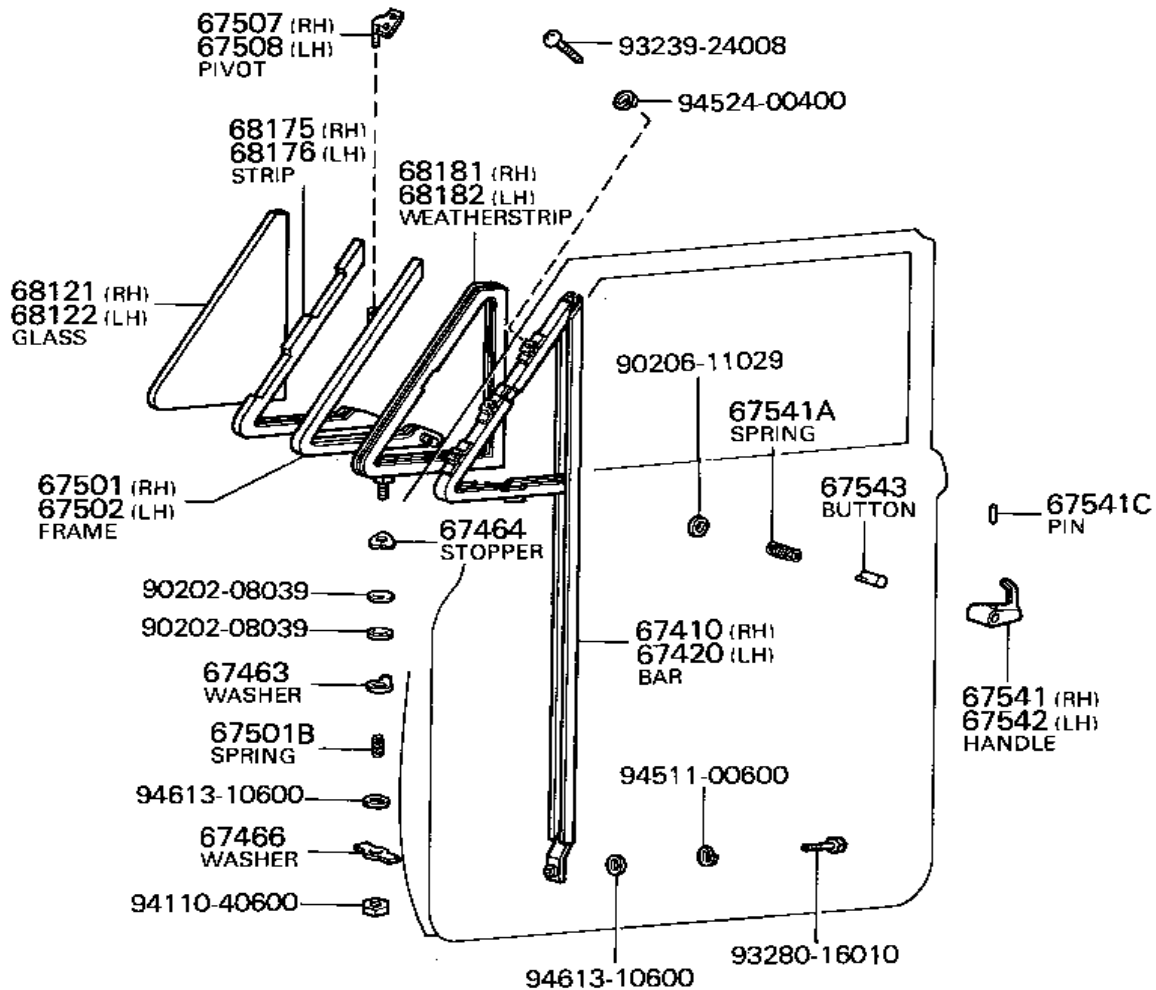




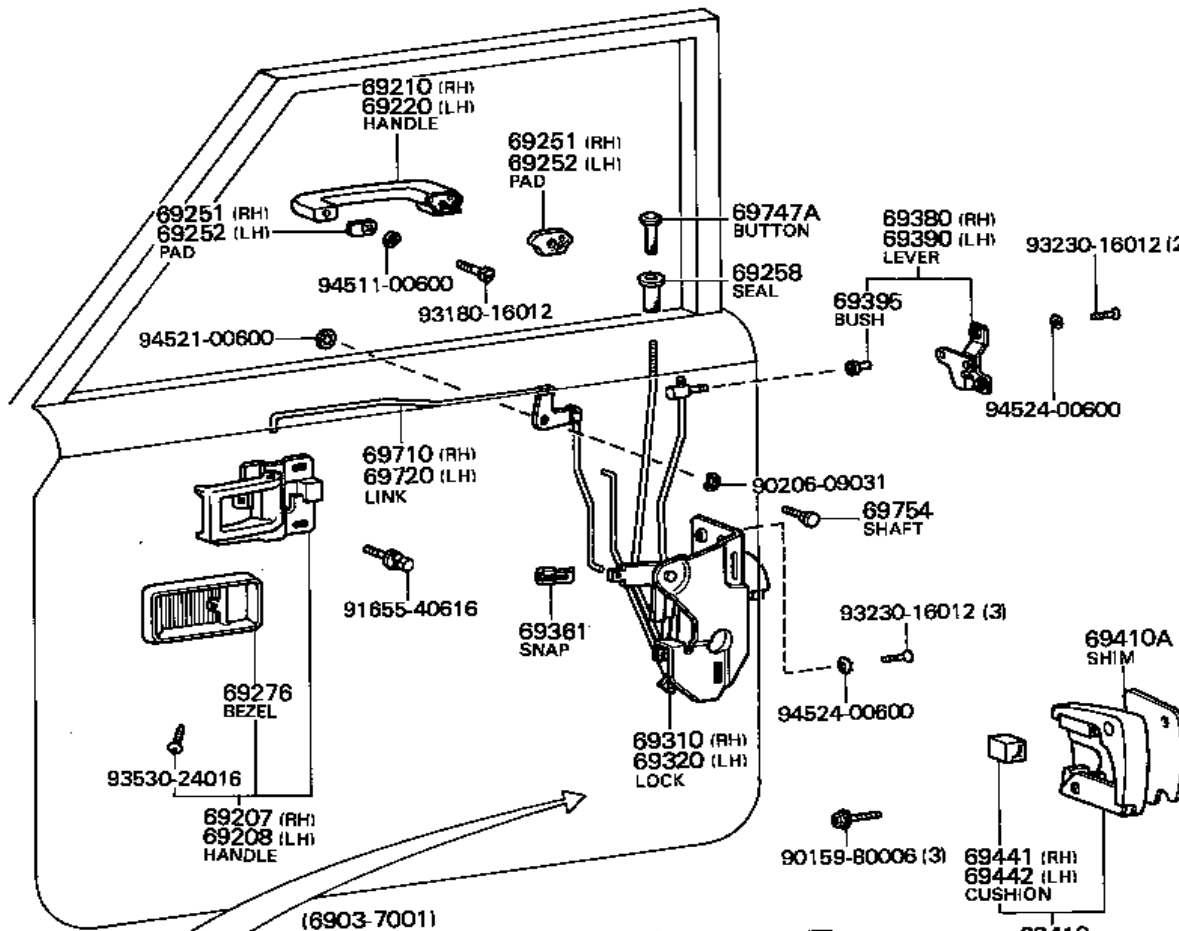
* (7309-7811)



93219-14006

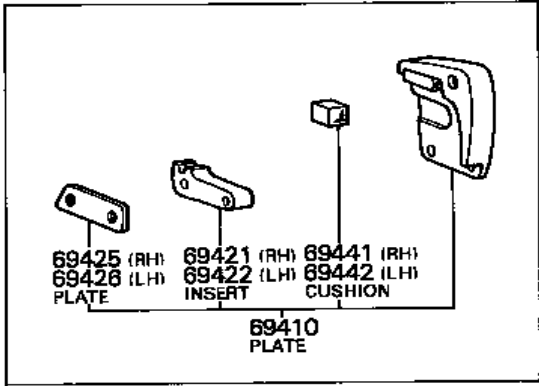
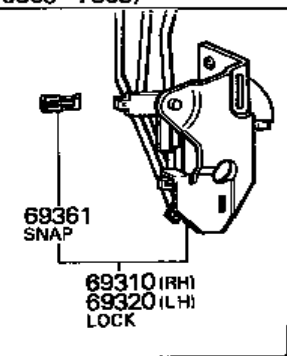


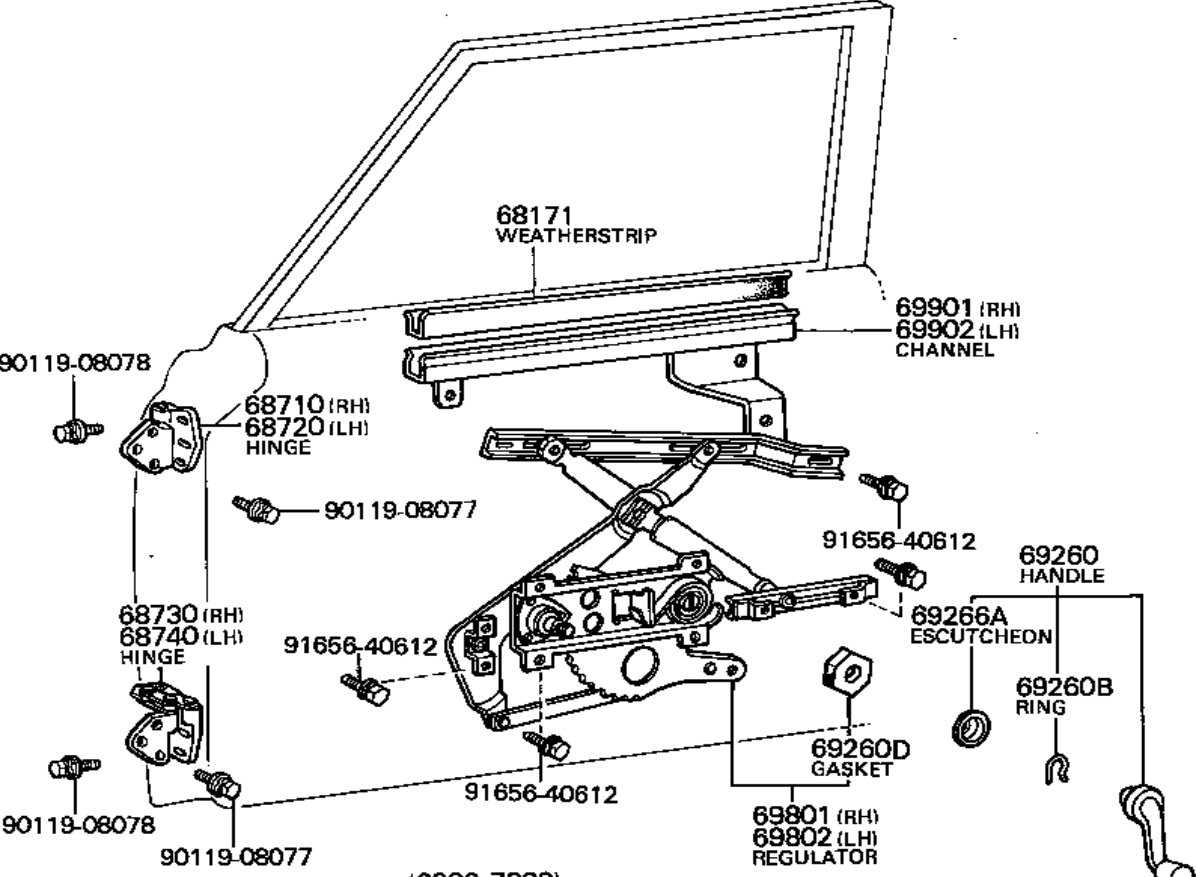
MB 6010



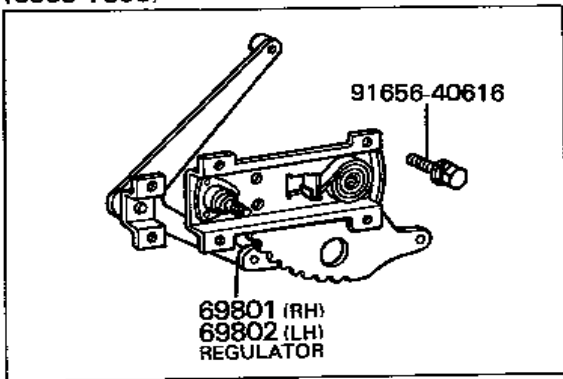
6903-7803)

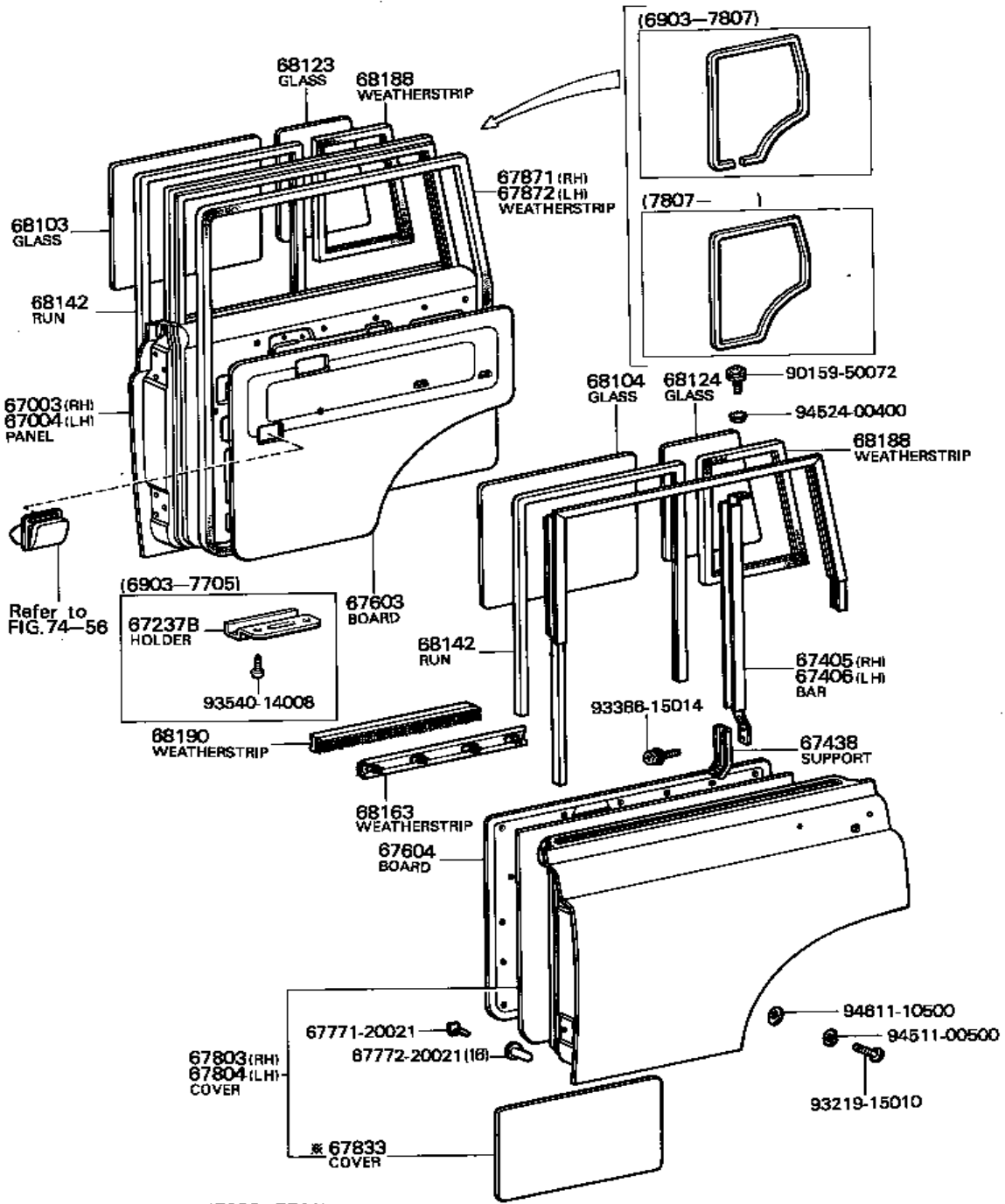
(6903-7001)



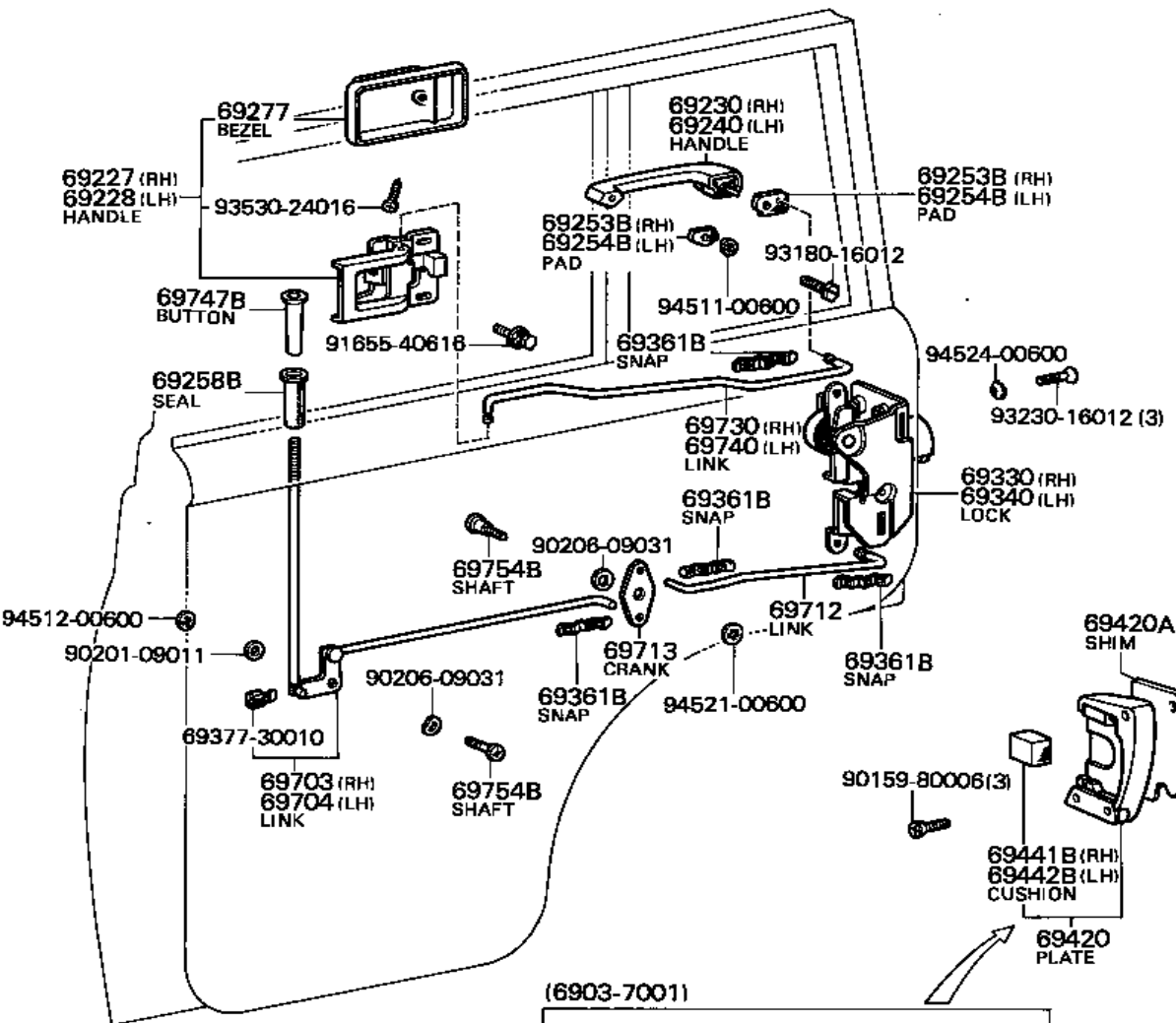


(6903-7309)

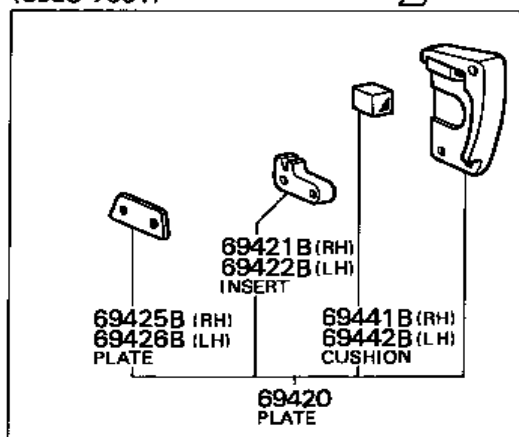


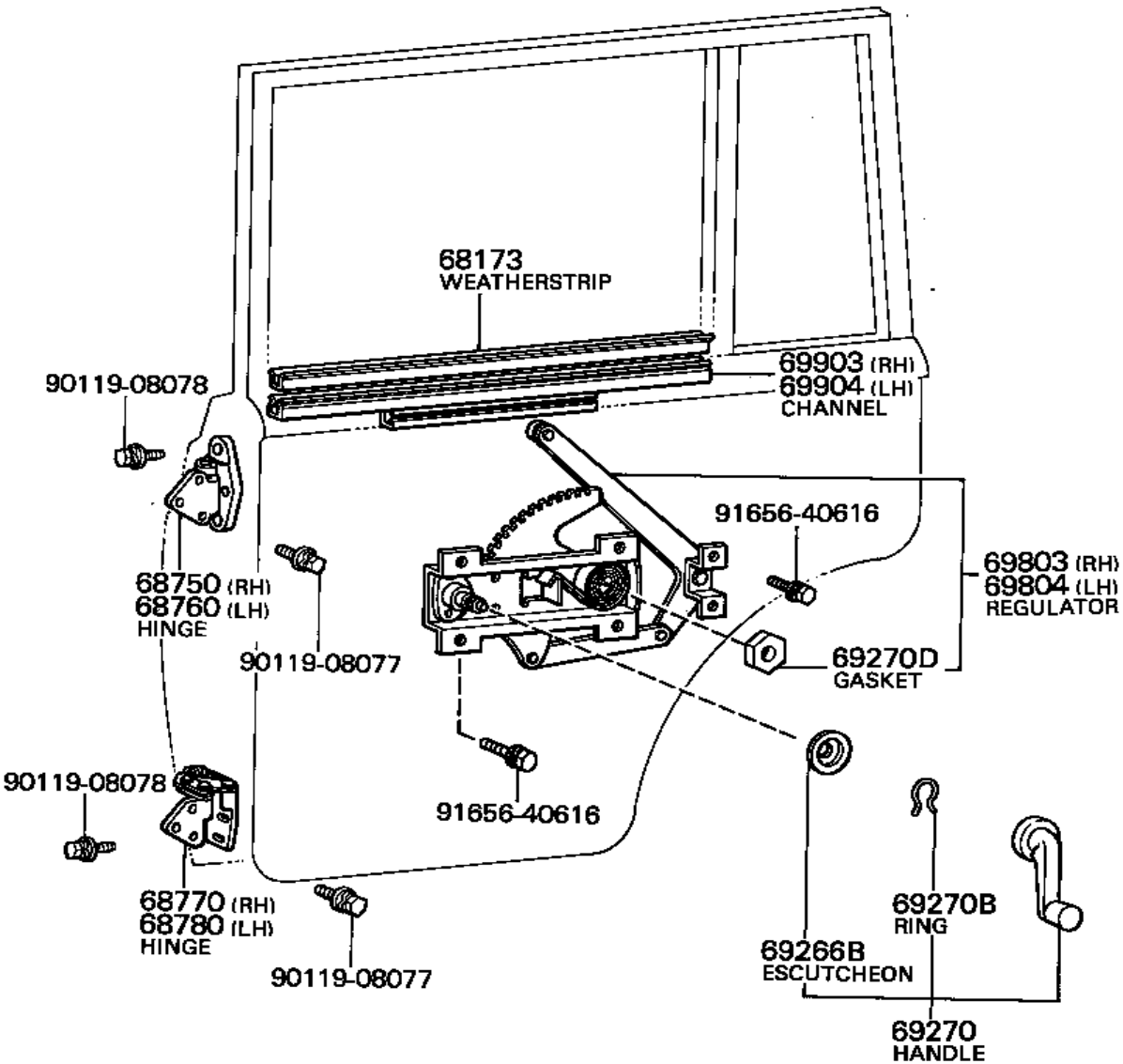


※(7209-7811)



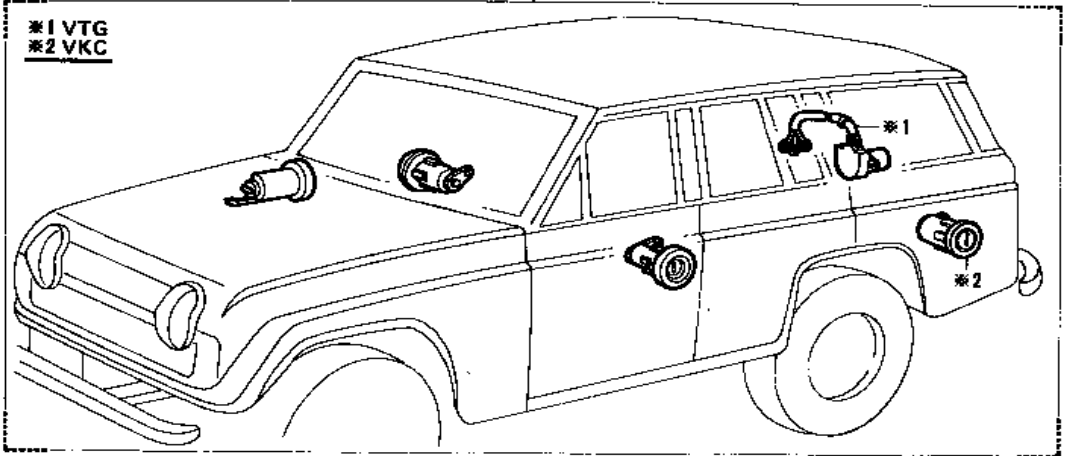
(6903-7001)





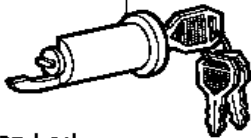
89503
CYLINDER

- *1 VTG
- *2 VKC

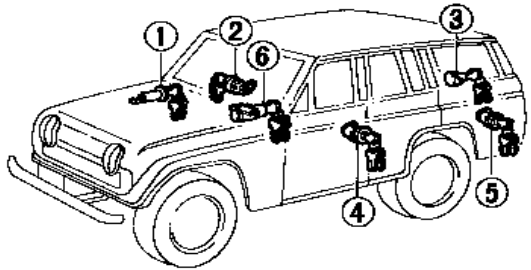


①

69064
CYLINDER & KEY

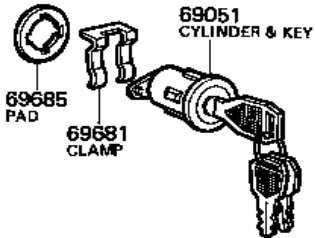


W/Steering Lock



②

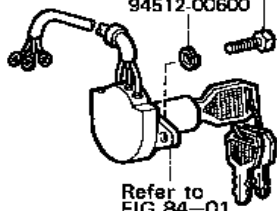
69051
CYLINDER & KEY



④

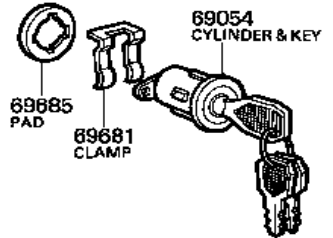
③

91111-40616
94512-00600



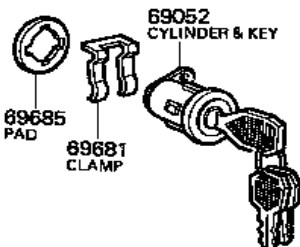
⑤

69054
CYLINDER & KEY

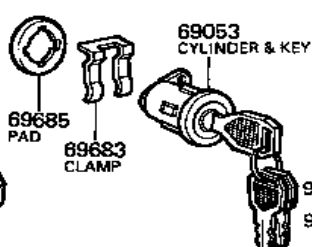


⑥

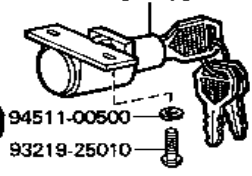
69052
CYLINDER & KEY



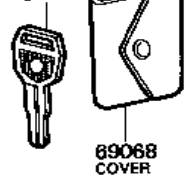
69053
CYLINDER & KEY



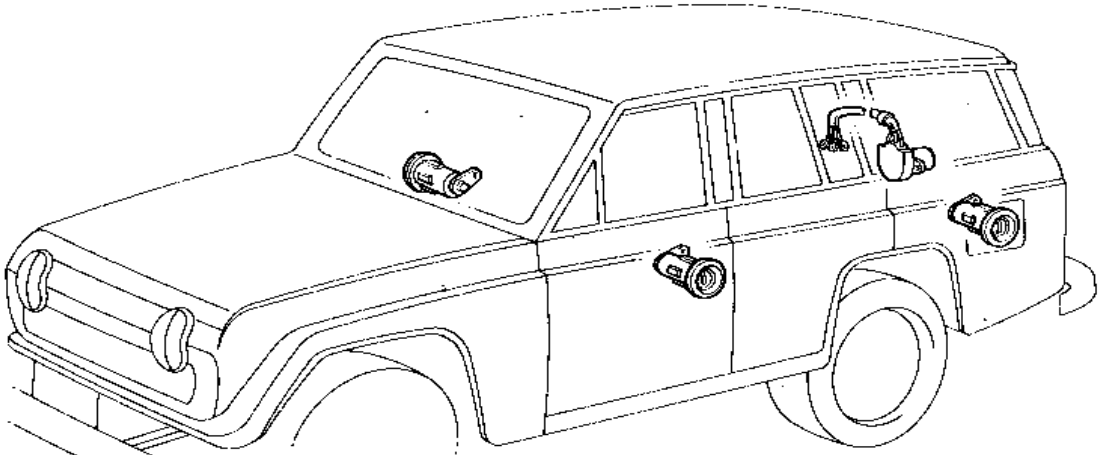
69062
CYLINDER & KEY



69503A
KEY

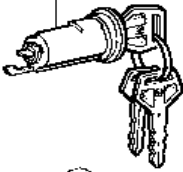


69503
CYLINDER

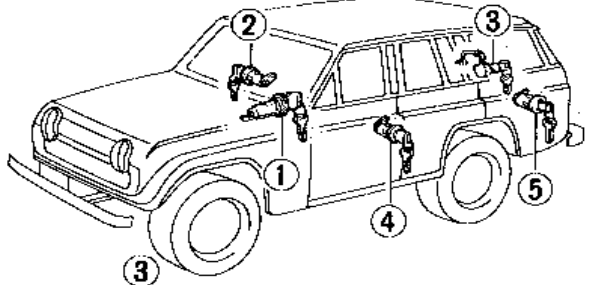


1

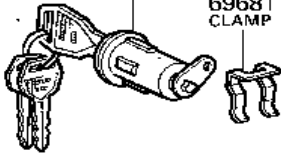
69064
CYLINDER & KEY



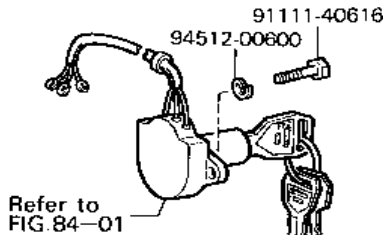
2



69051
CYLINDER & KEY



4

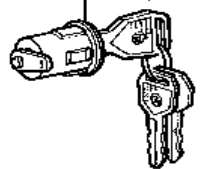


5

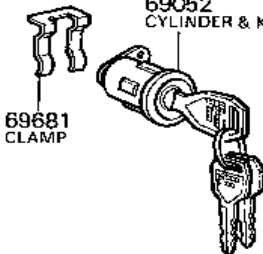
69681
CLAMP



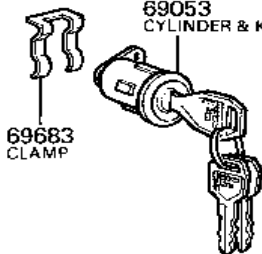
69054
CYLINDER & KEY



69052
CYLINDER & KEY



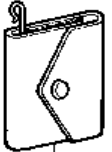
69053
CYLINDER & KEY



69503A
KEY

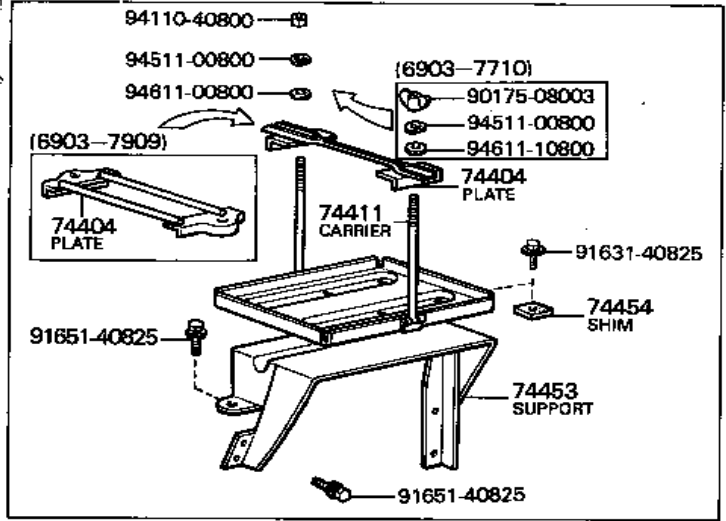
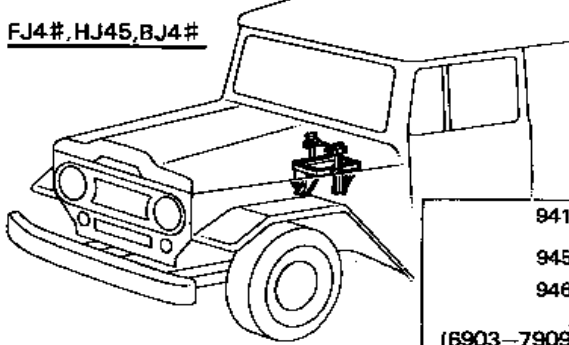


69503A
KEY

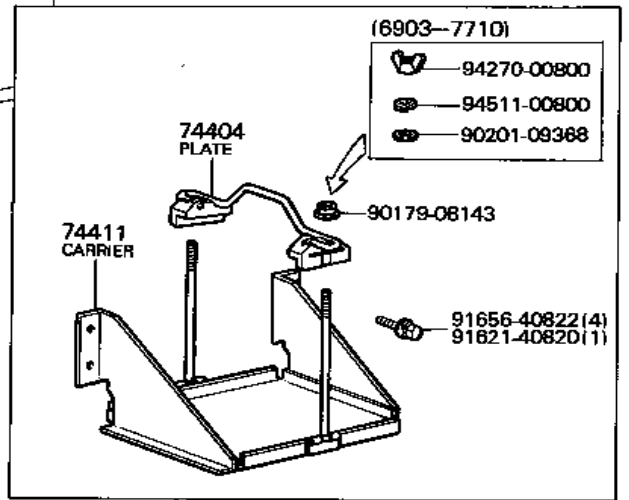
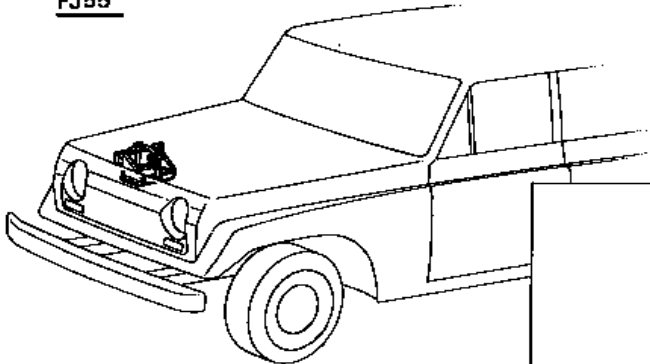


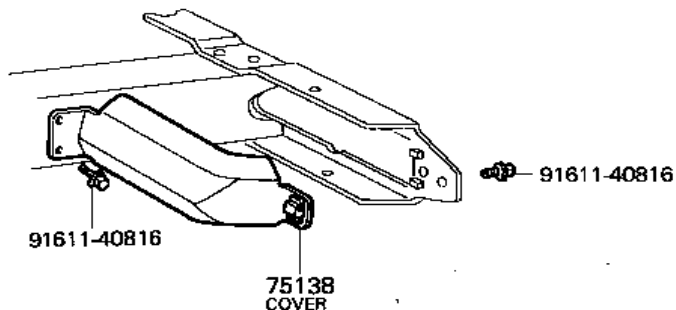
69068
COVER

FJ4#, HJ45, BJ4#



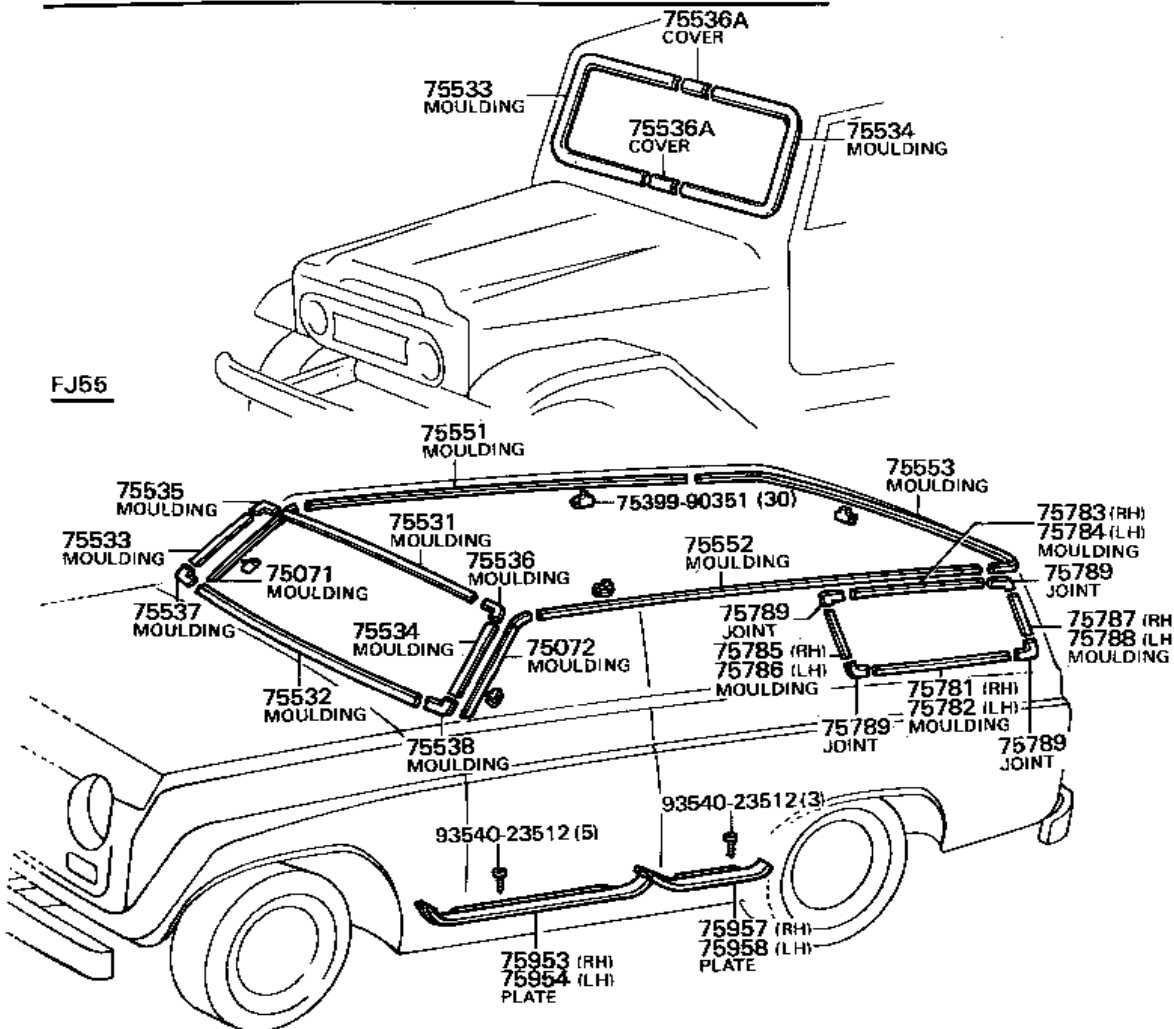
FJ55



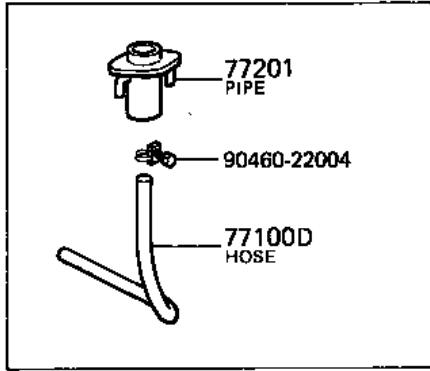


FJ40,43,BJ4#..GEN(7909—) .FJ45,HJ45..PIC..GEN(7909—)

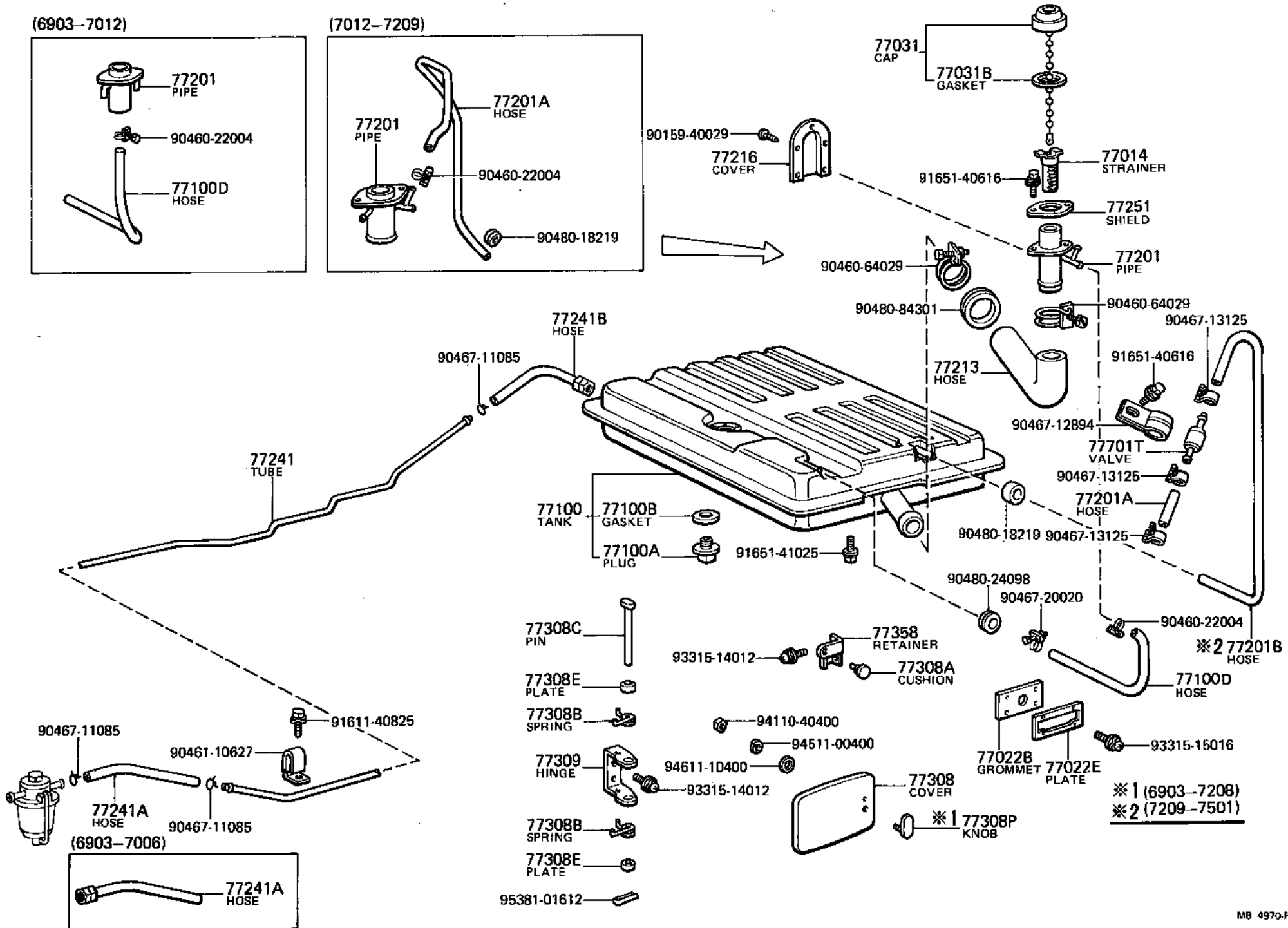
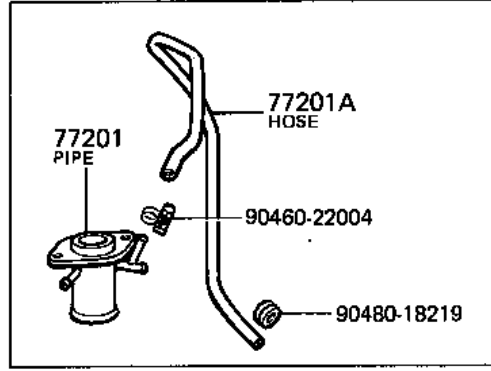
FJ55



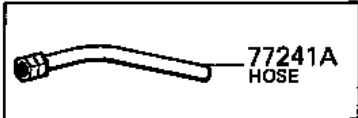
(6903-7012)

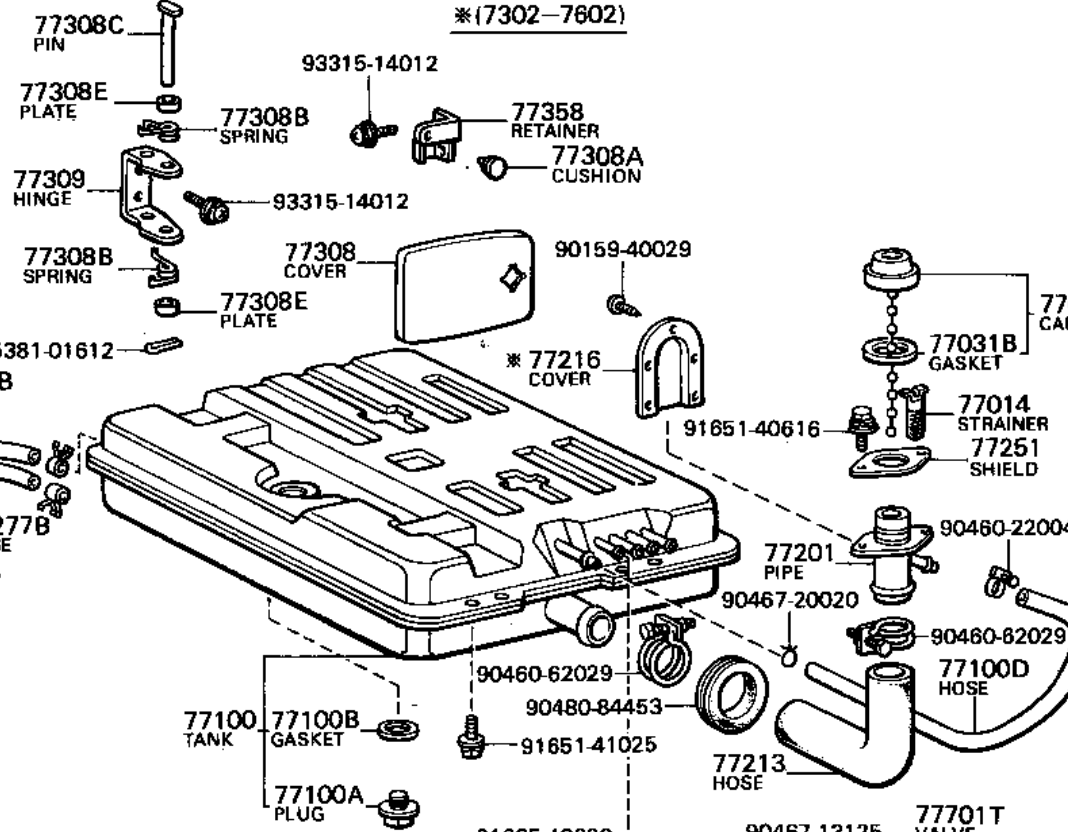
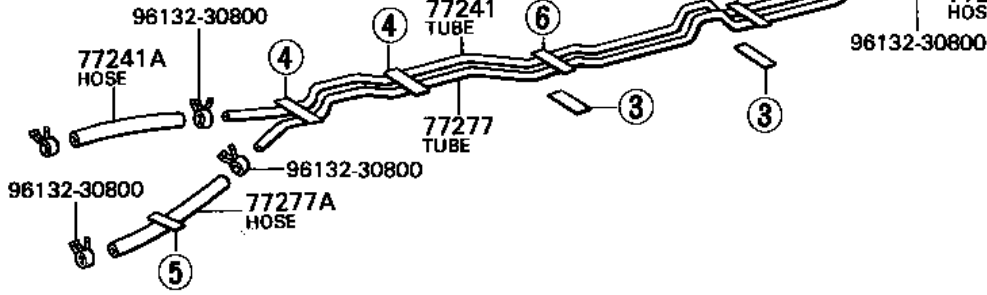
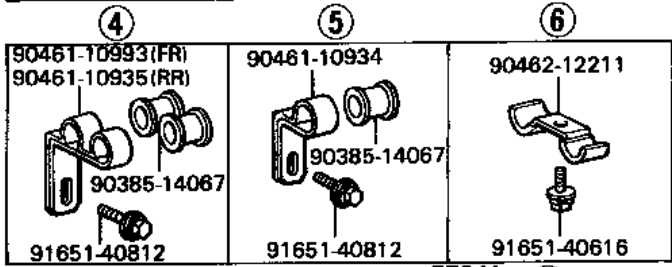
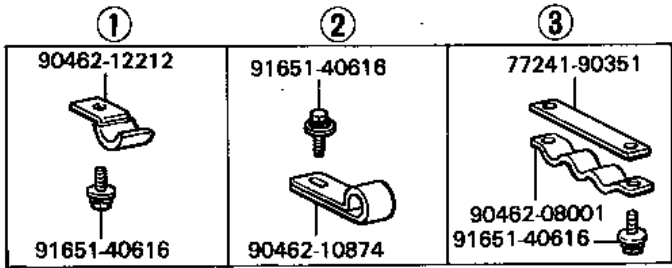


(7012-7209)

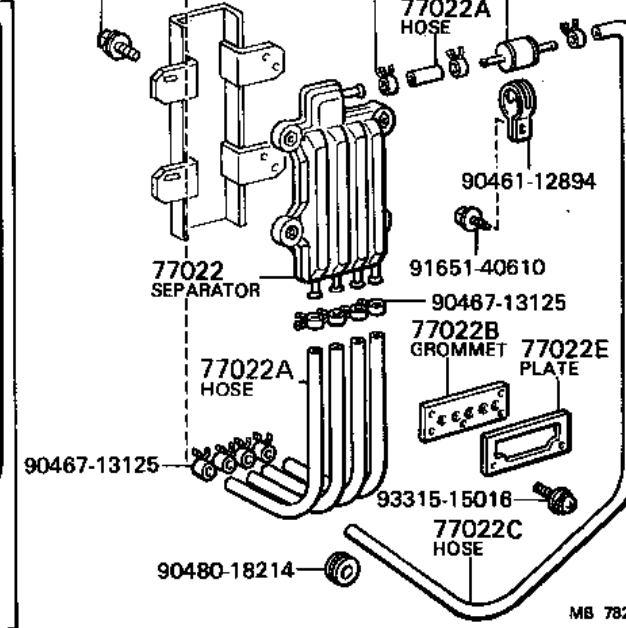
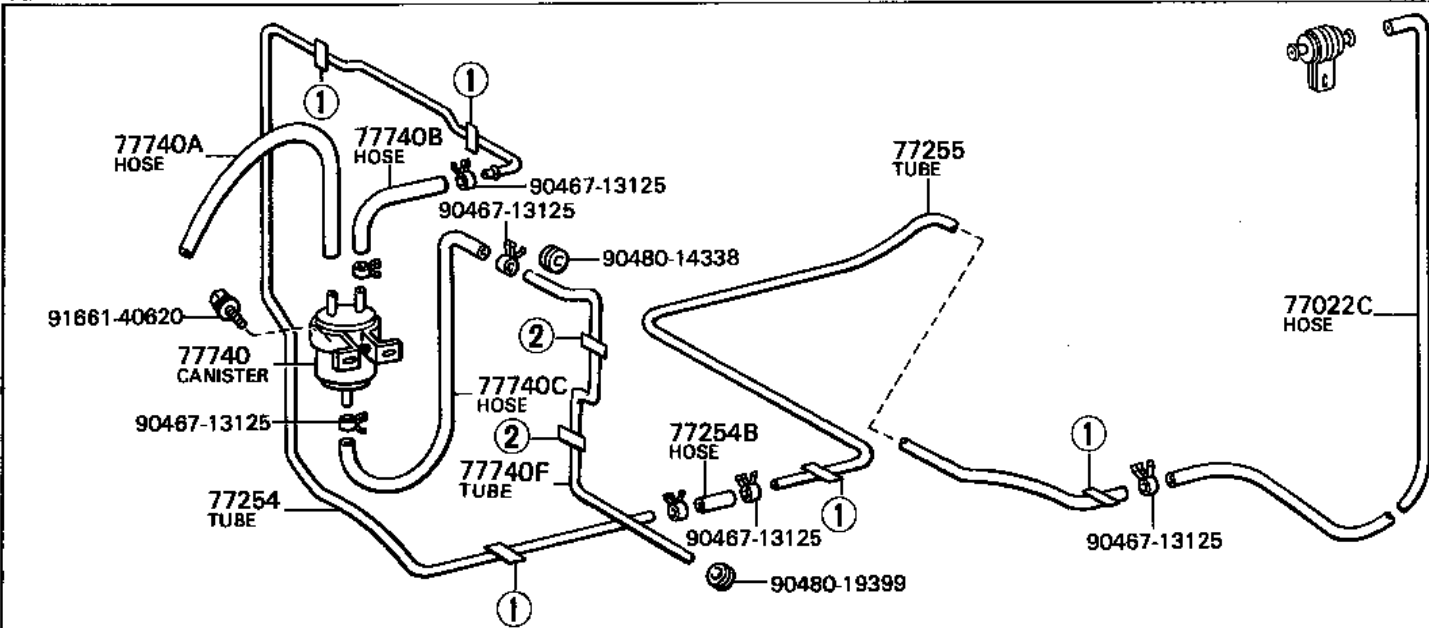


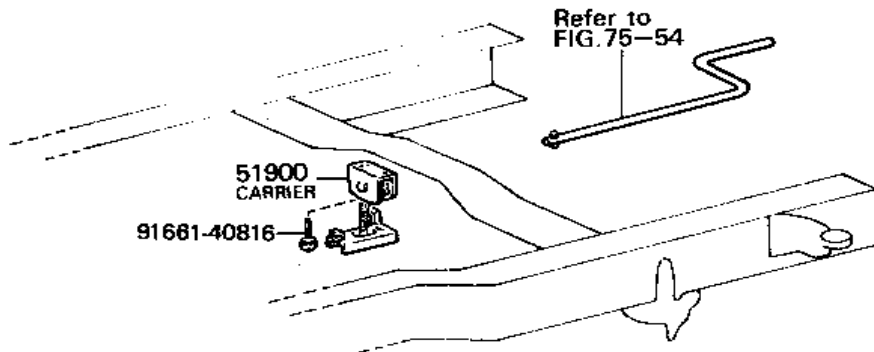
(6903-7006)



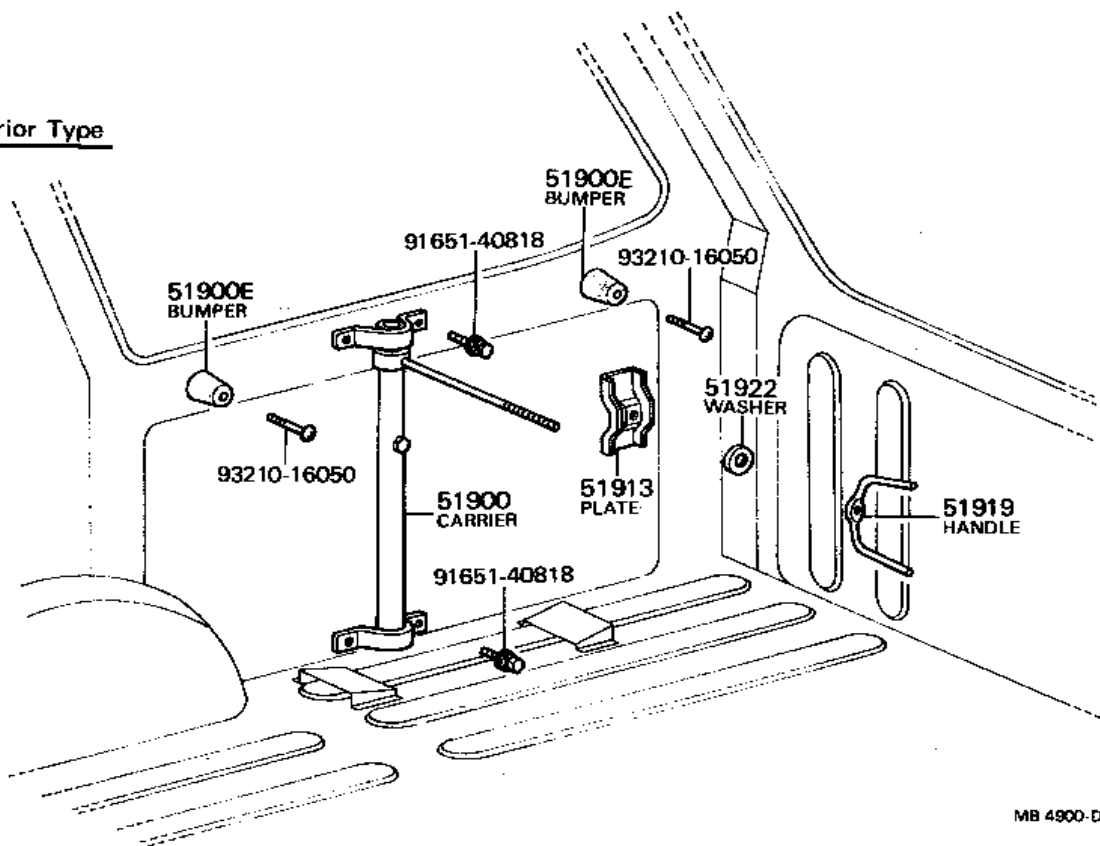


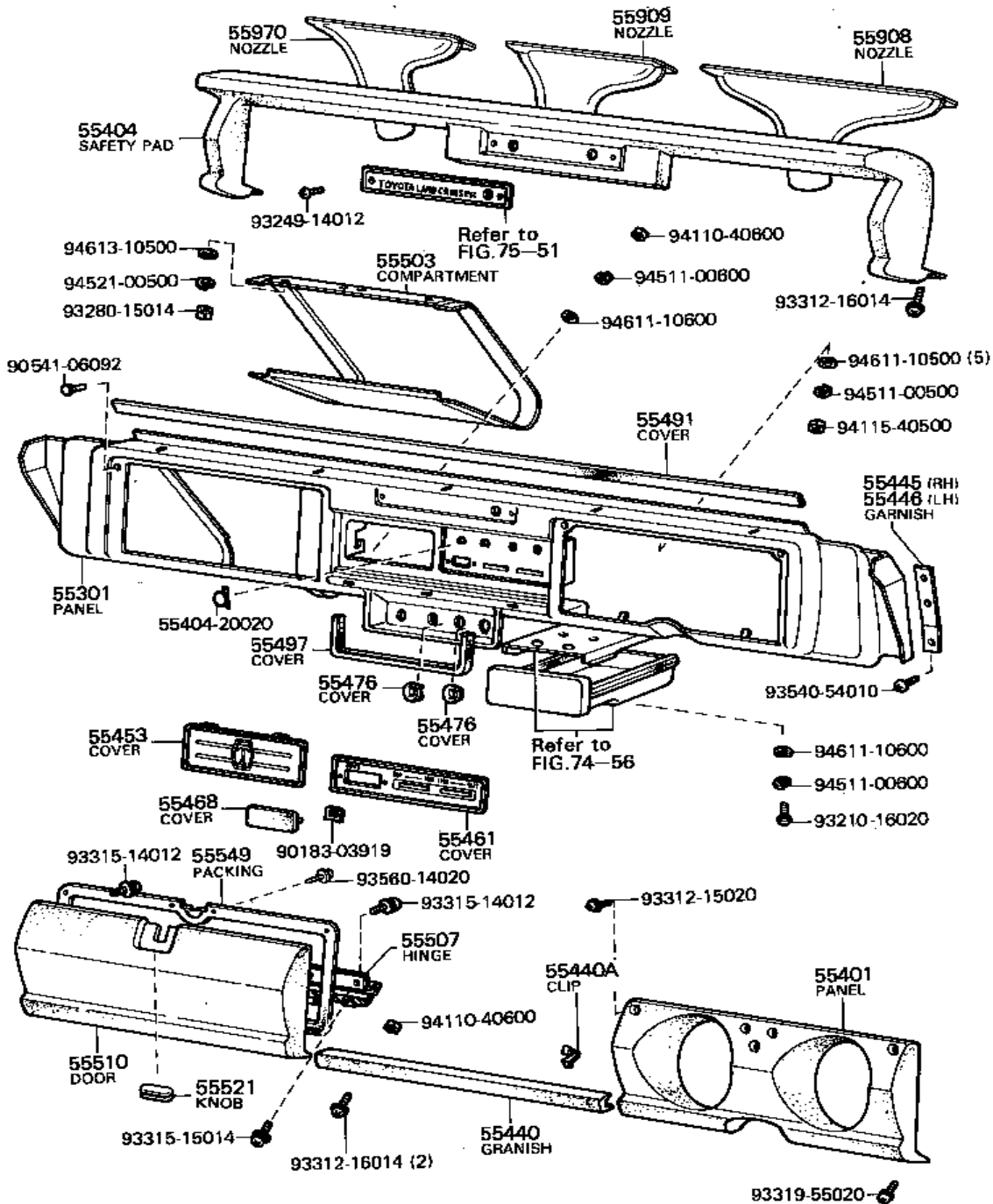
ARL

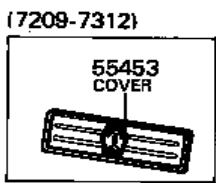
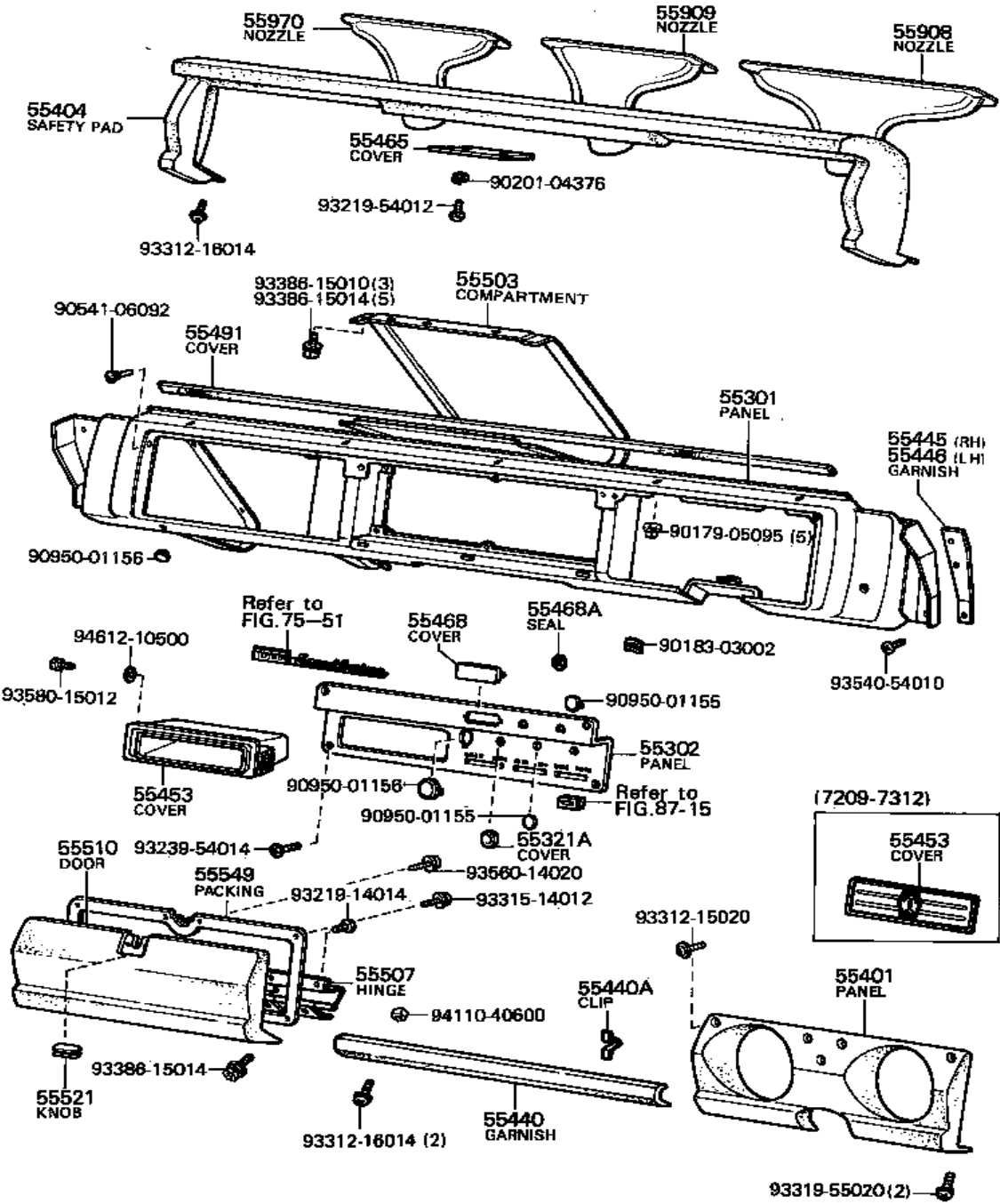




Interior Type







55810 (RHD)
55820 (LHD)
DUCT

55329
BRACKET

55819
ROD

90202-06010

55819B
GROMMET

55819A
SPRING

55819D
RING

91651-40618

55810A
RING

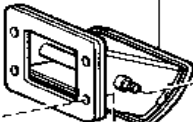
93219-15008

55813
ARM

55805 (RHD)
55806 (LHD)
DUCT

94115-40500

94511-00500



91651-40616

55874
ADAPTOR

55875
GASKET

91651-40616

55764
PLATE

93315-16014



94541-00400

55815
ROD

55815B
PIN

94611-10400

94525-00400

94115-40400

93218-15016

55808
BUTTERFLY

94525-00400

55884
SHAFT

94511-00500

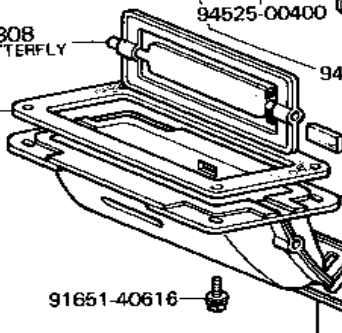
94511-00400

94611-10500

55881
PACKING

55888
PACKING

55801
DUCT



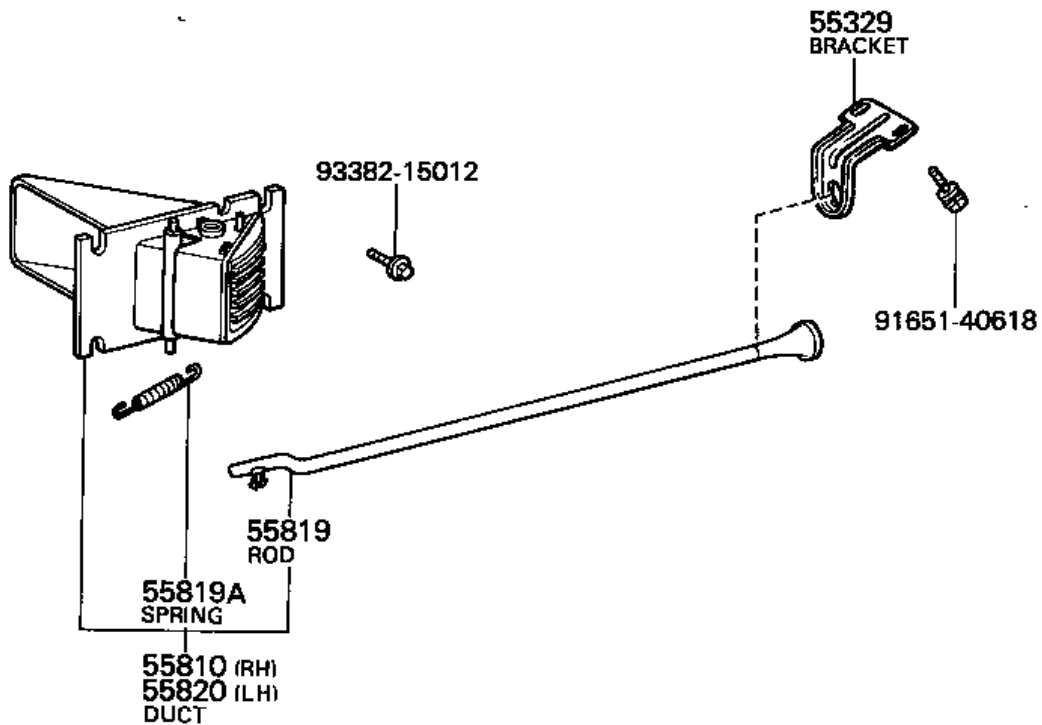
94611-10400

93219-14016

91651-40616

Refer to
FIG.55-53

94511-00400



MB 4917-B

93540-14008

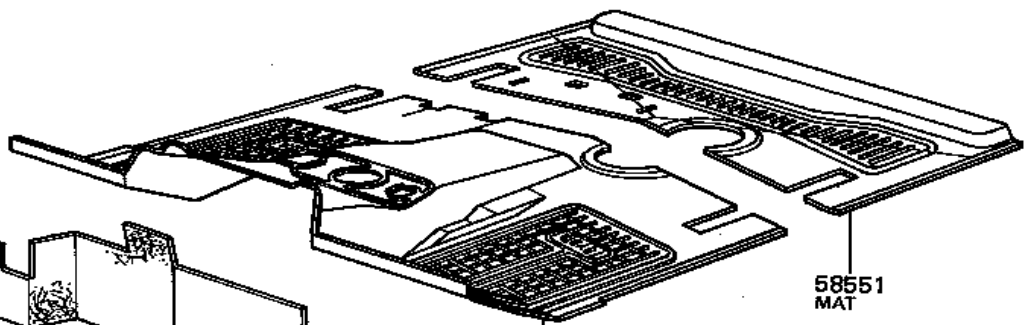
94611-10400

58581 (RH)
58582 (LH)
PLATE



58581 (RH)
58582 (LH)
PLATE

58563
MAT

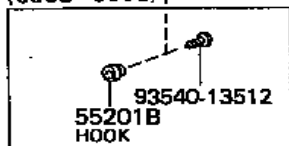


55201
BOARD

58511
MAT

58551
MAT

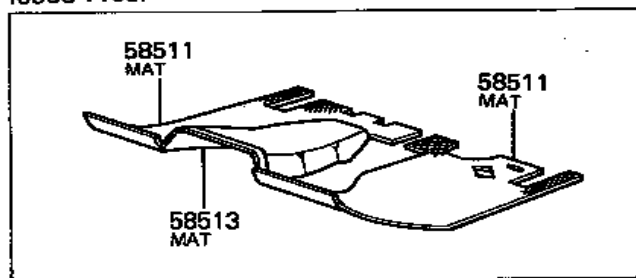
(6903-6908)



55201B
HOOK

93540-13512

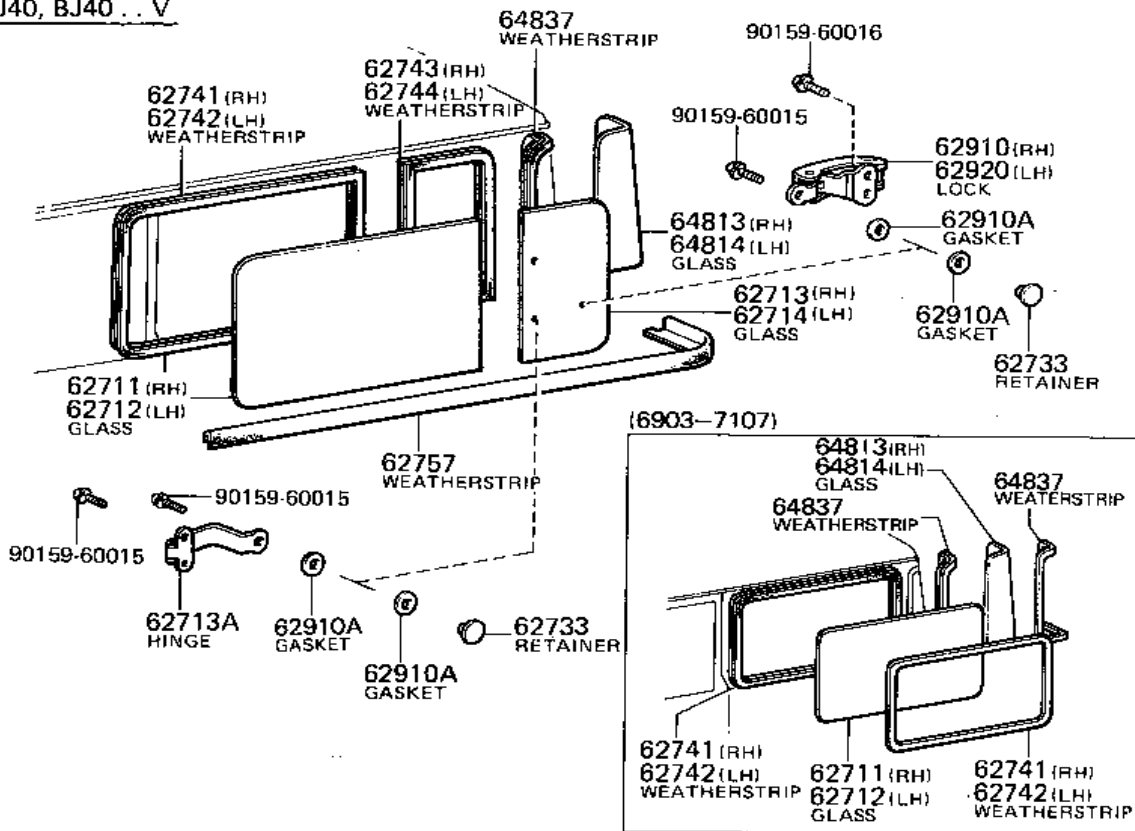
(6903-7105)



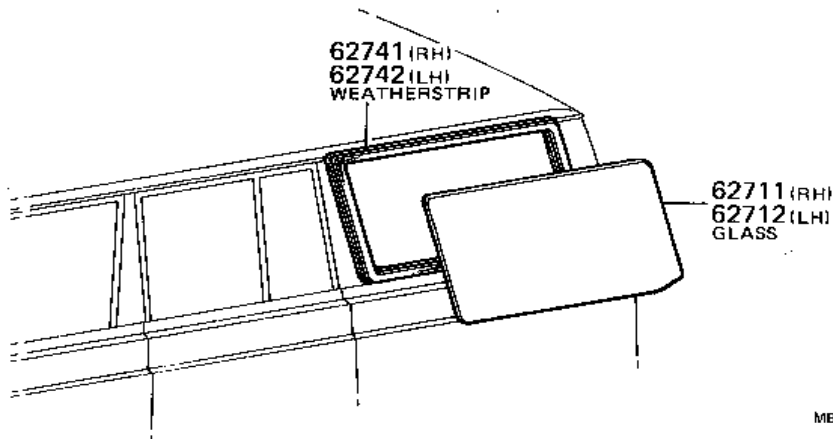
58511
MAT

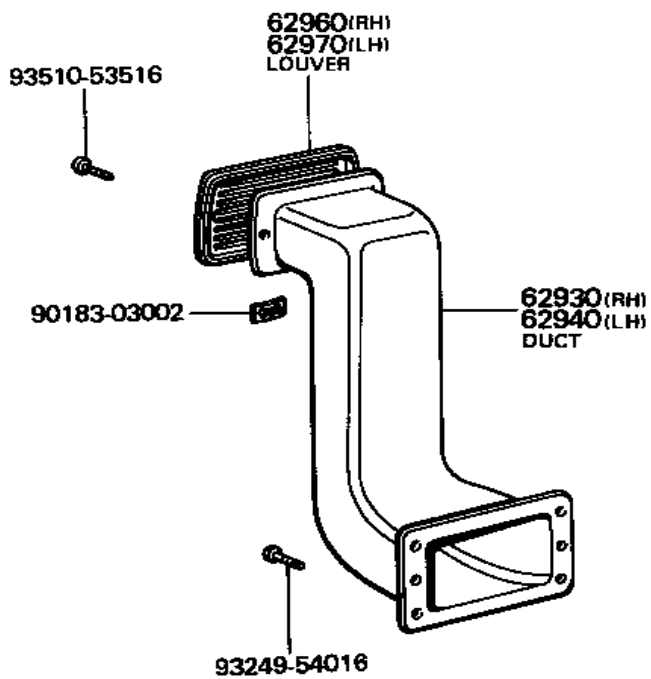
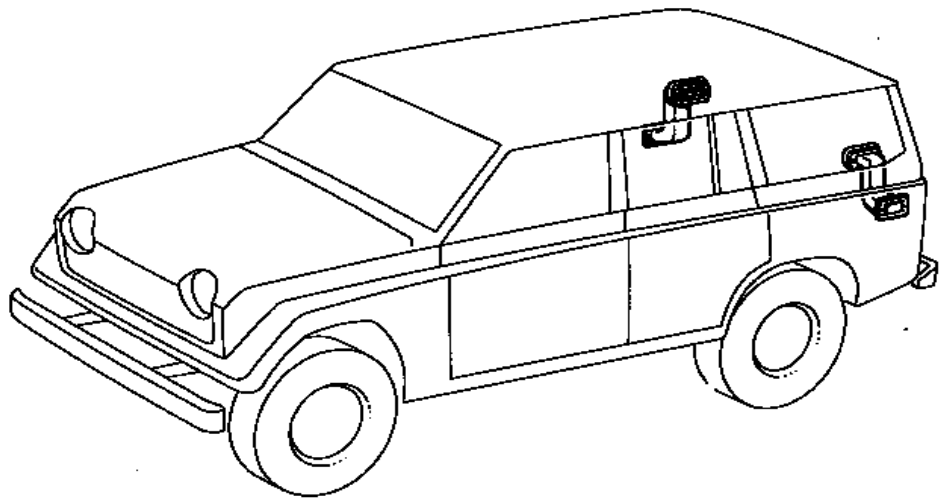
58513
MAT

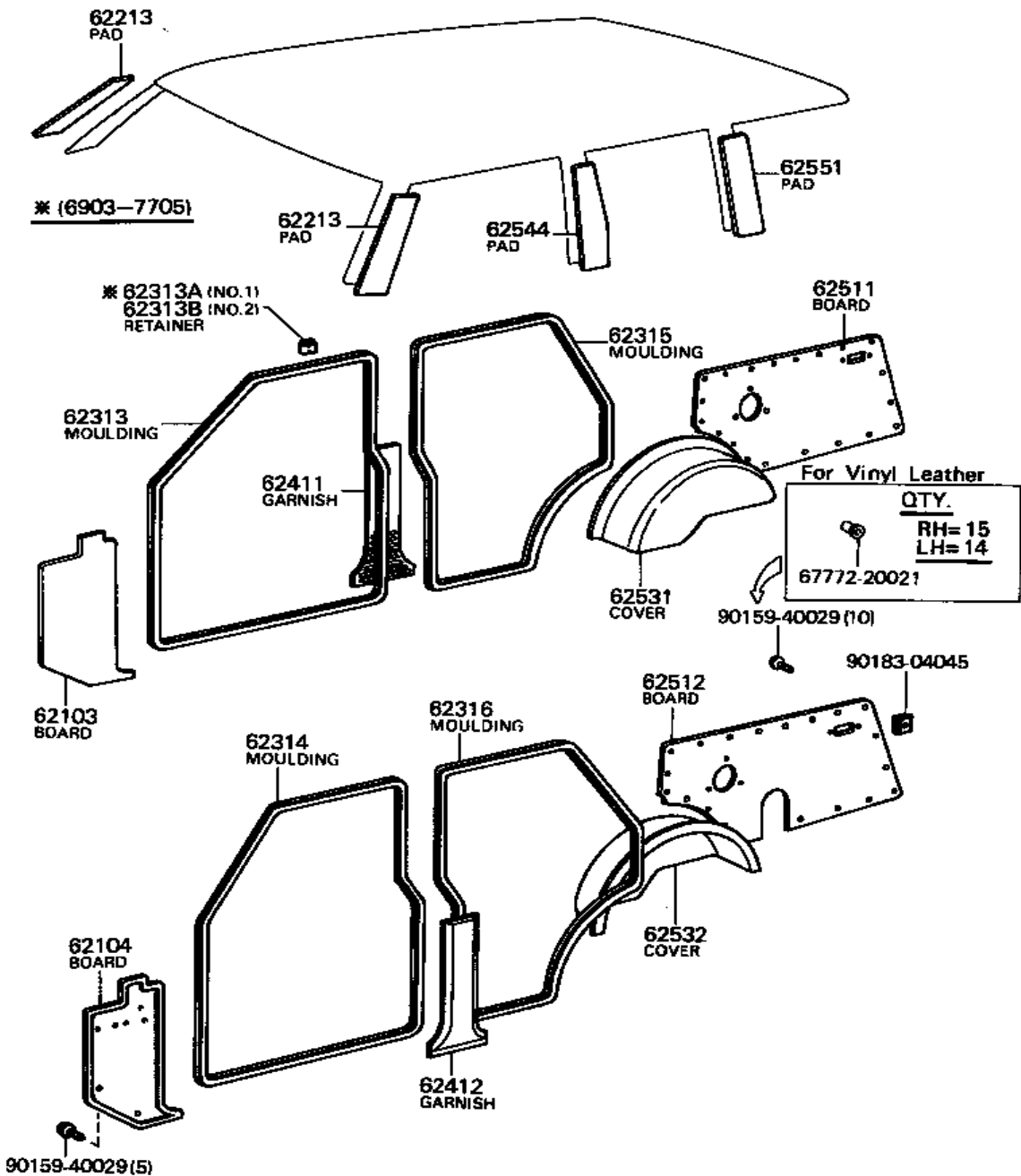
58511
MAT



FJ55

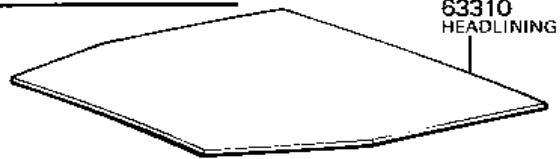




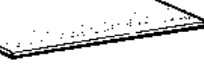
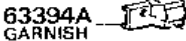
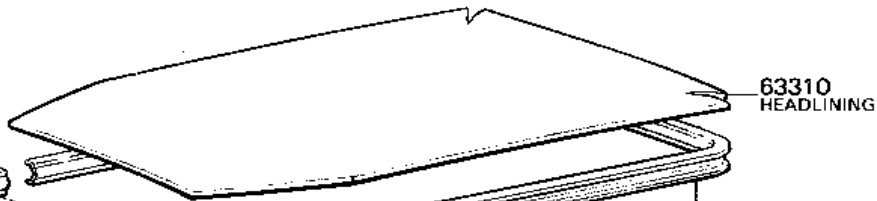


FJ45,HJ45..PIC

FJ40,BJ40..V(7901-)



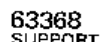
FJ45,HJ45..V



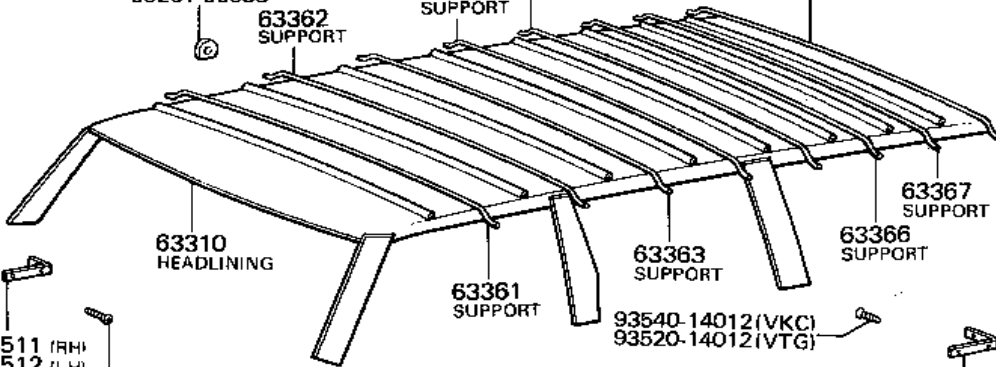
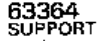
FJ55



90201-06538



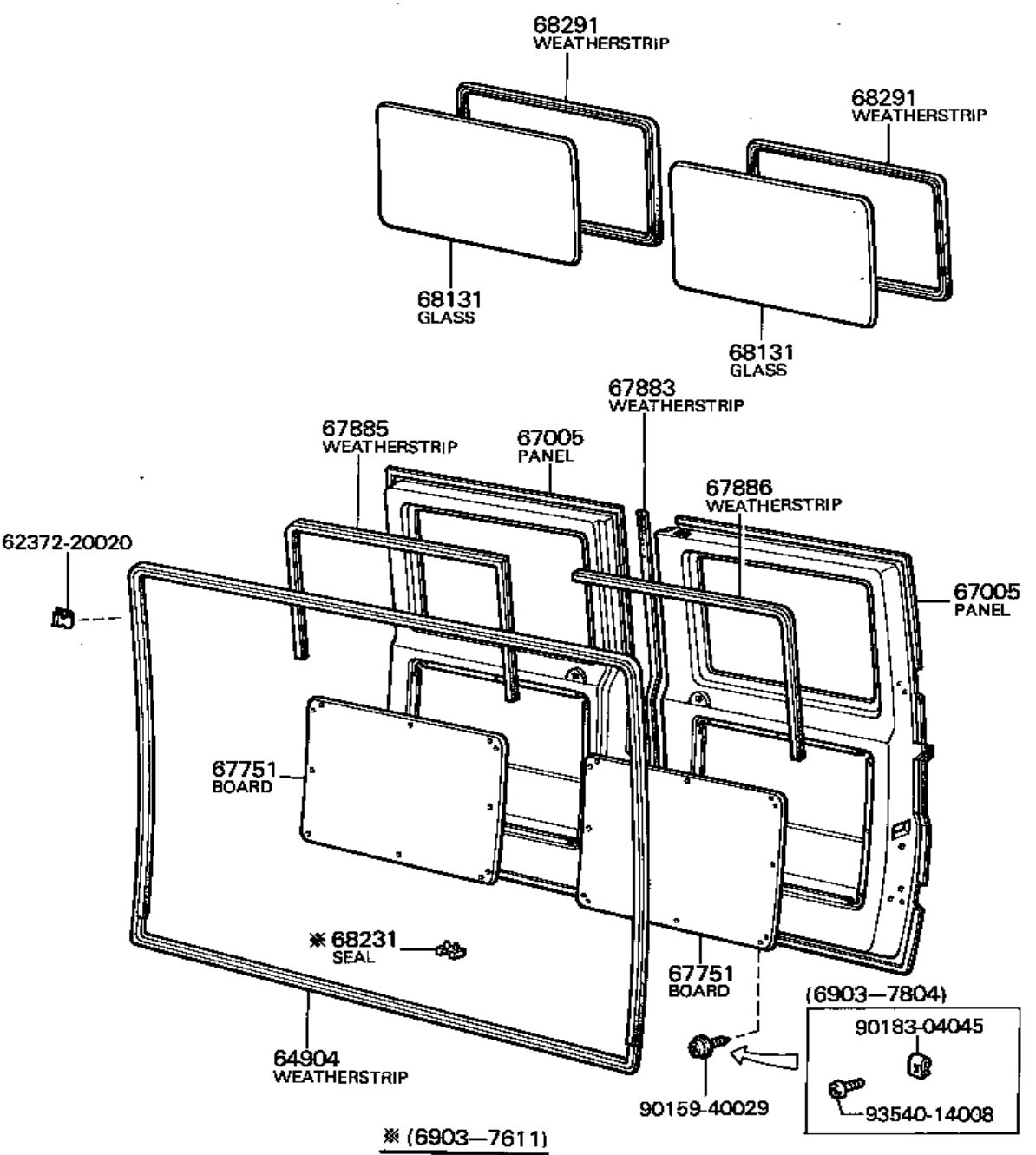
90201-06538



63511 (RH)
63512 (LH)
GARNISH

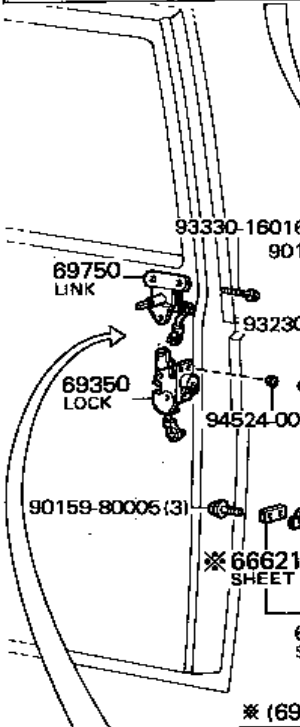
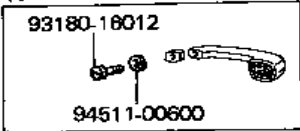
93520-14012

63514(RH)
63515(LH)
GARNISH



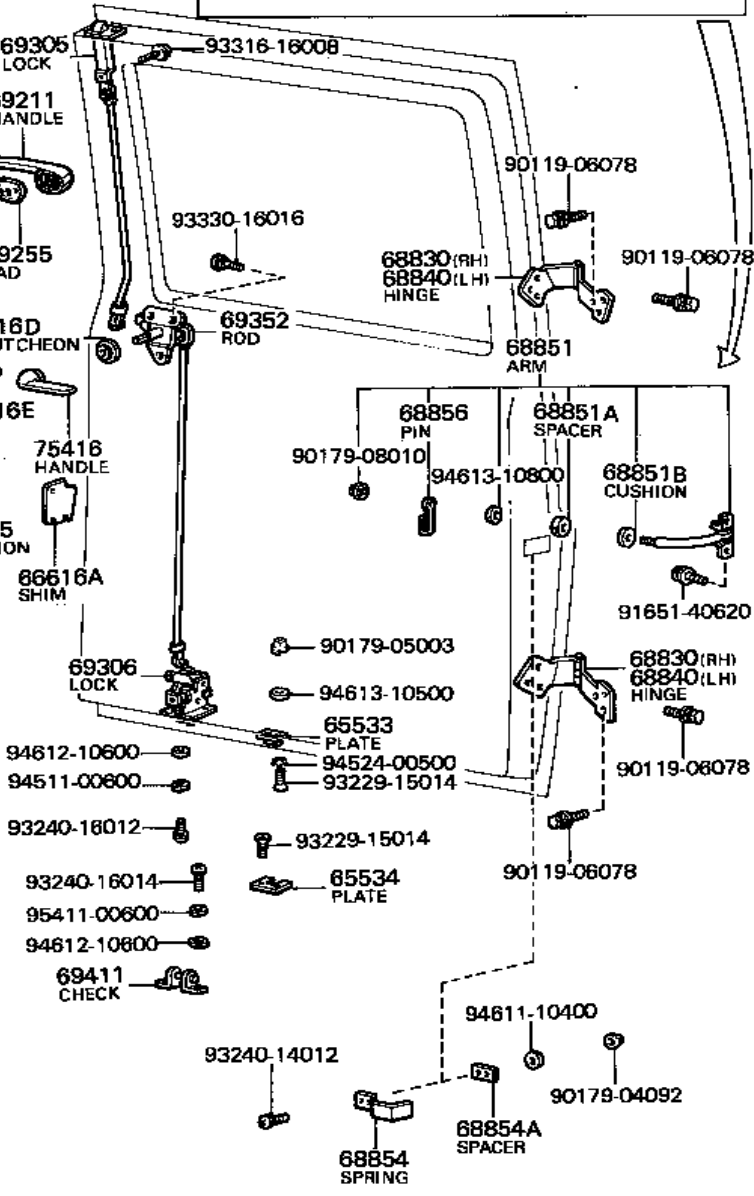
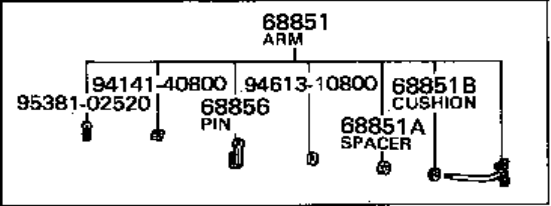
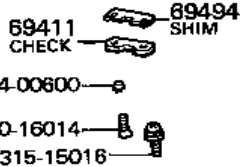
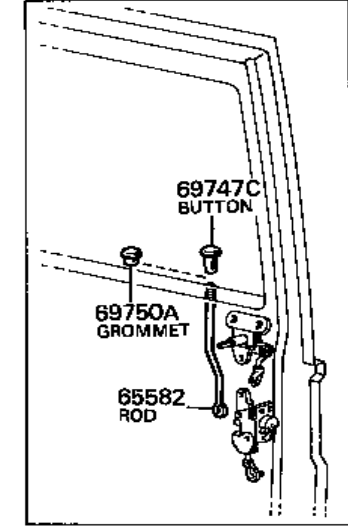
(6903-7608)

(6903-7709)



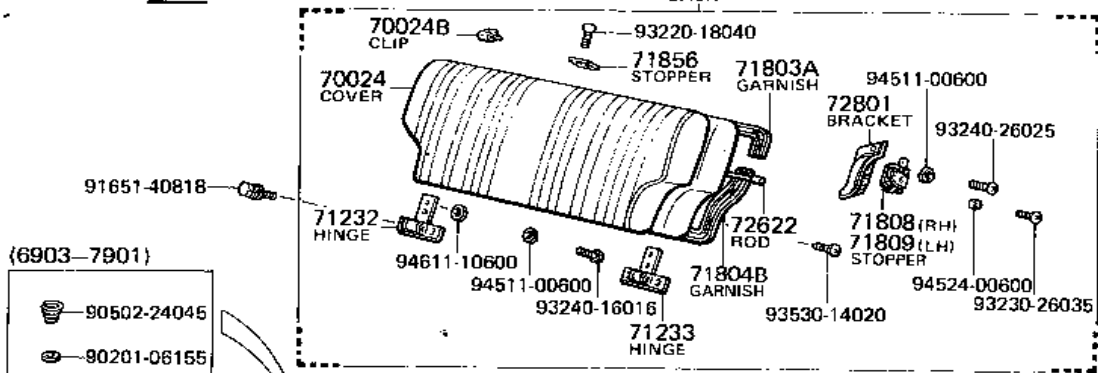
※ (6903-7001)

(6903-7501)



Rear

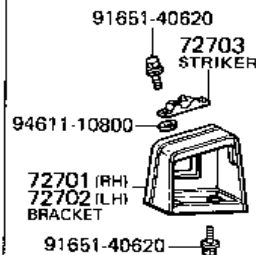
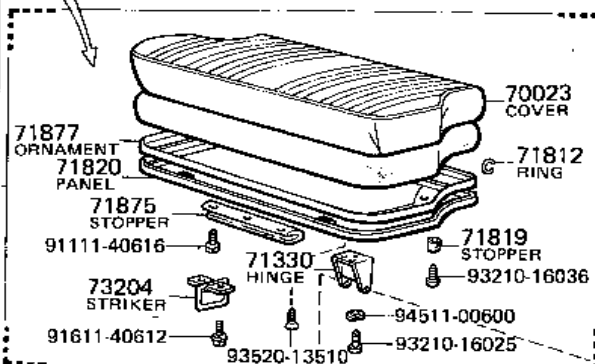
70022
BACK



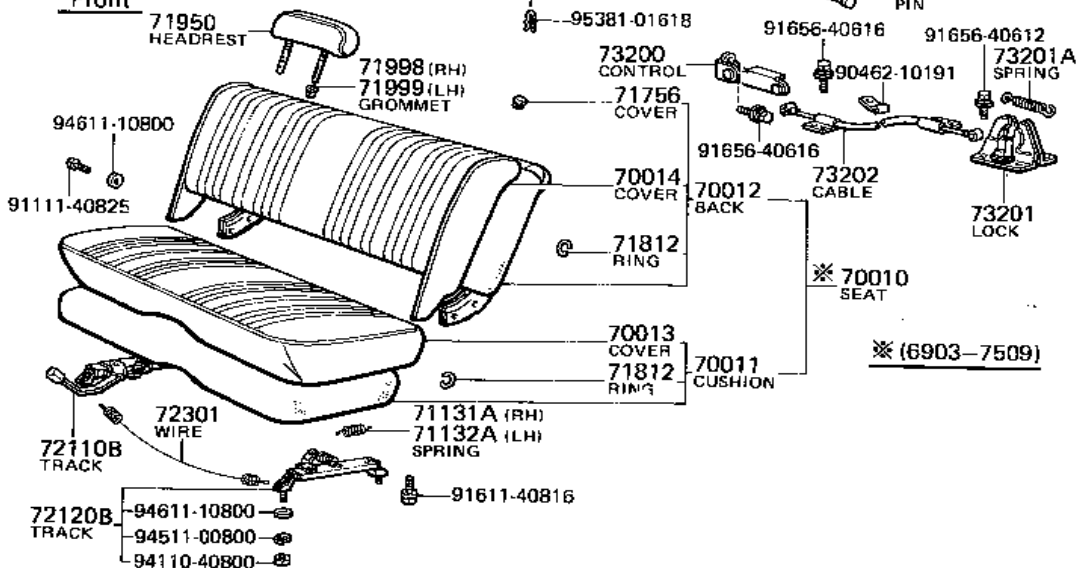
(6903-7901)

- 90502-24045
- 90201-06155
- 71819 STOPPER
- 94612-10500
- 90101-05243

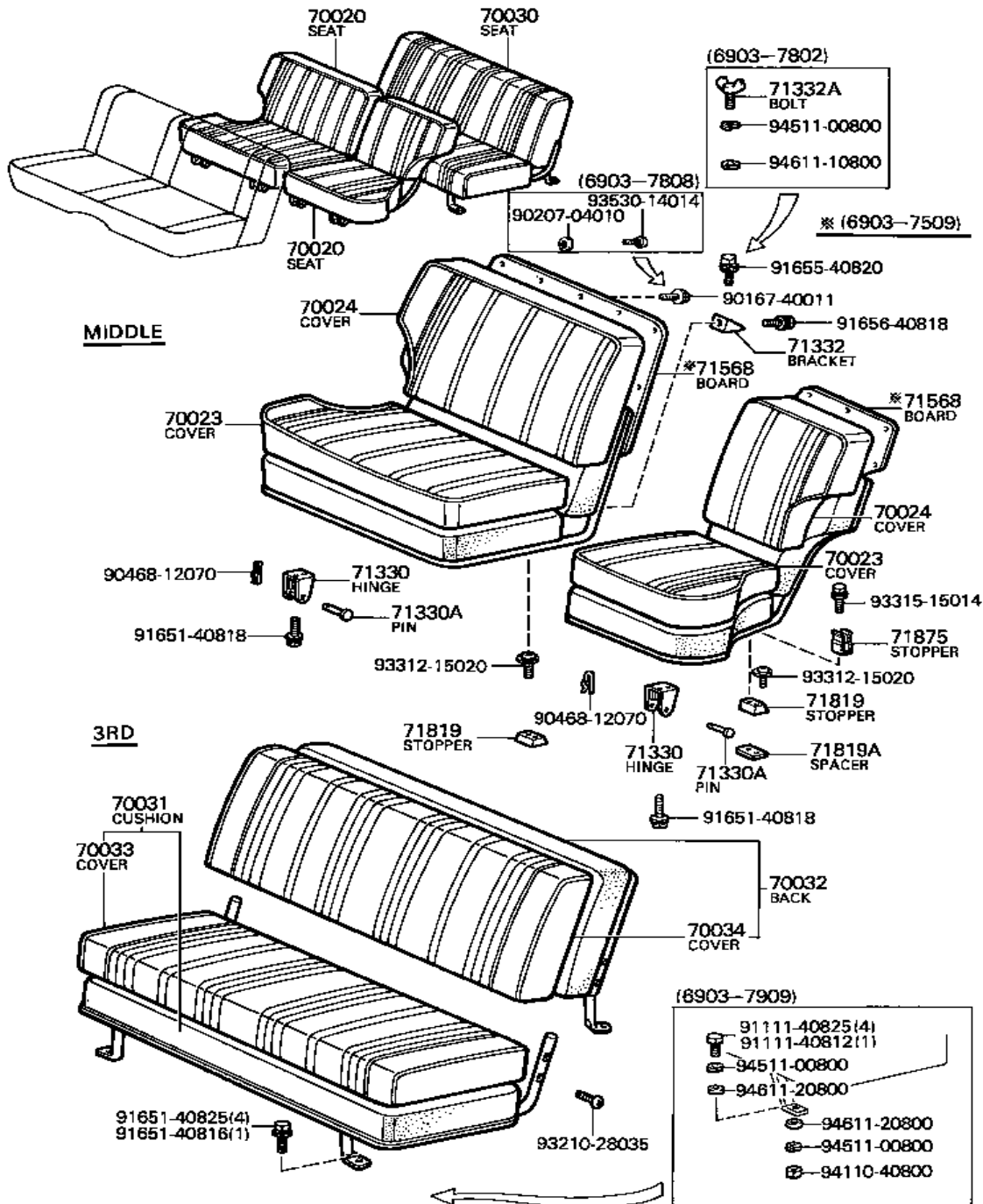
70021
CUSHION



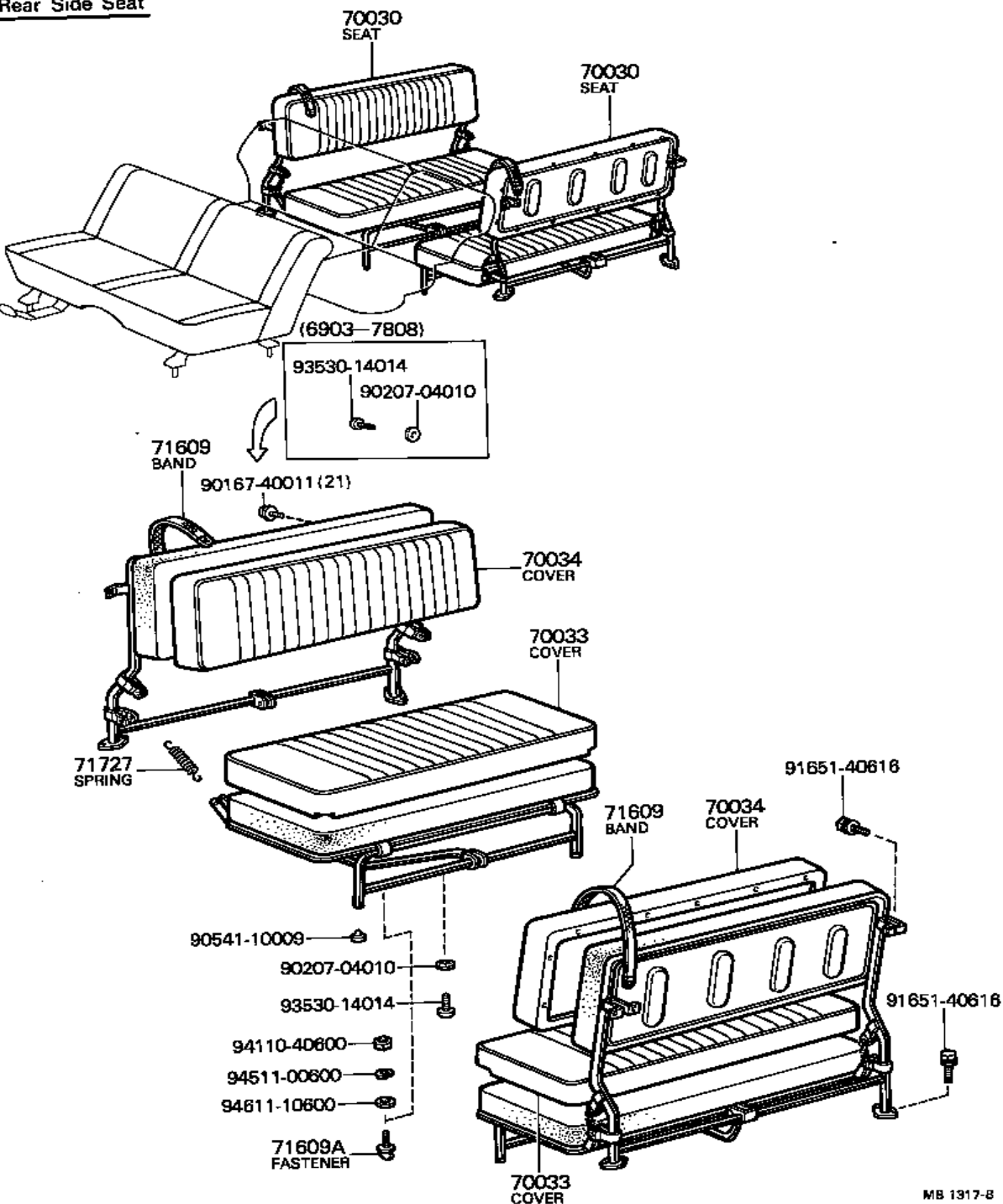
Front



*(6903-7509)

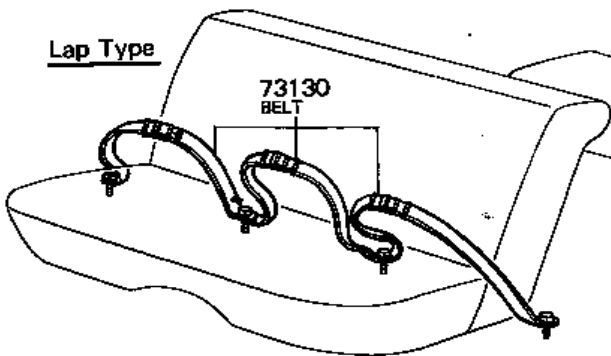


Rear Side Seat



FRONT

Lap Type

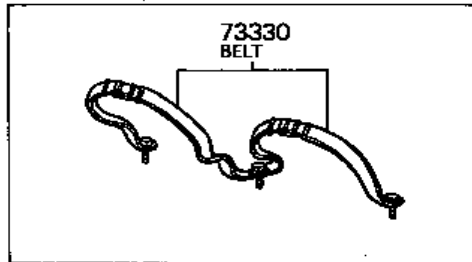


REAR

73330
BELT

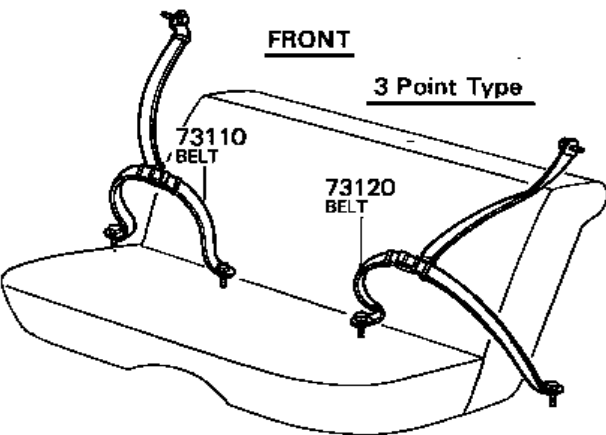
73340
BELT

(6903-7109)

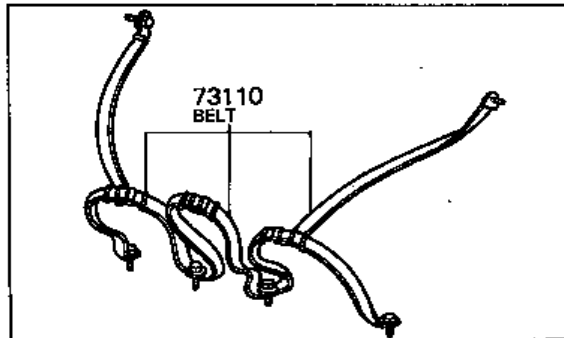


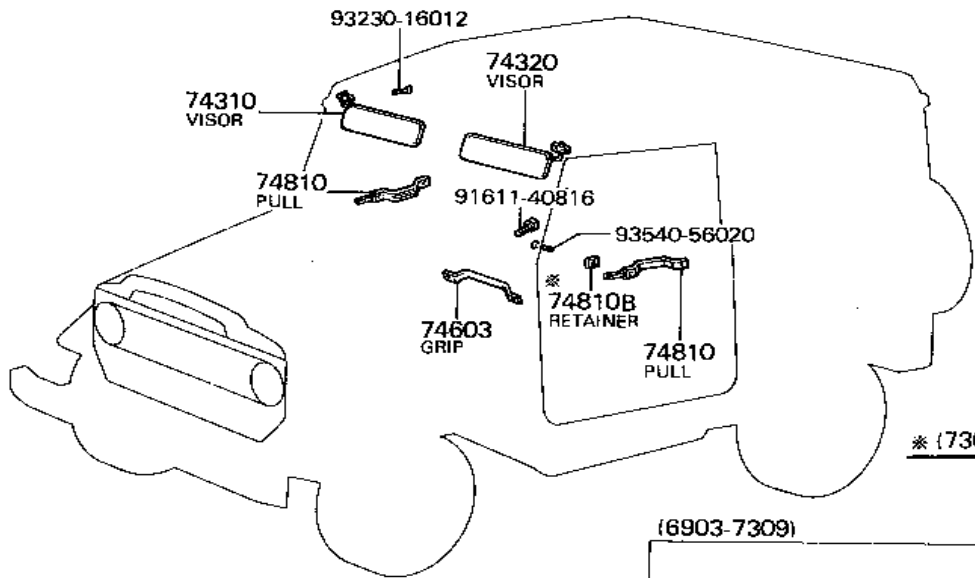
FRONT

3 Point Type



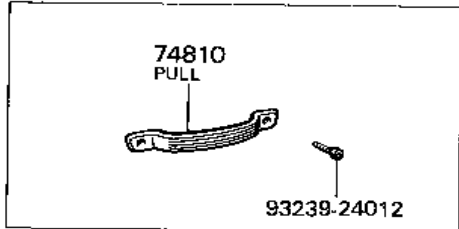
(6903-7501)



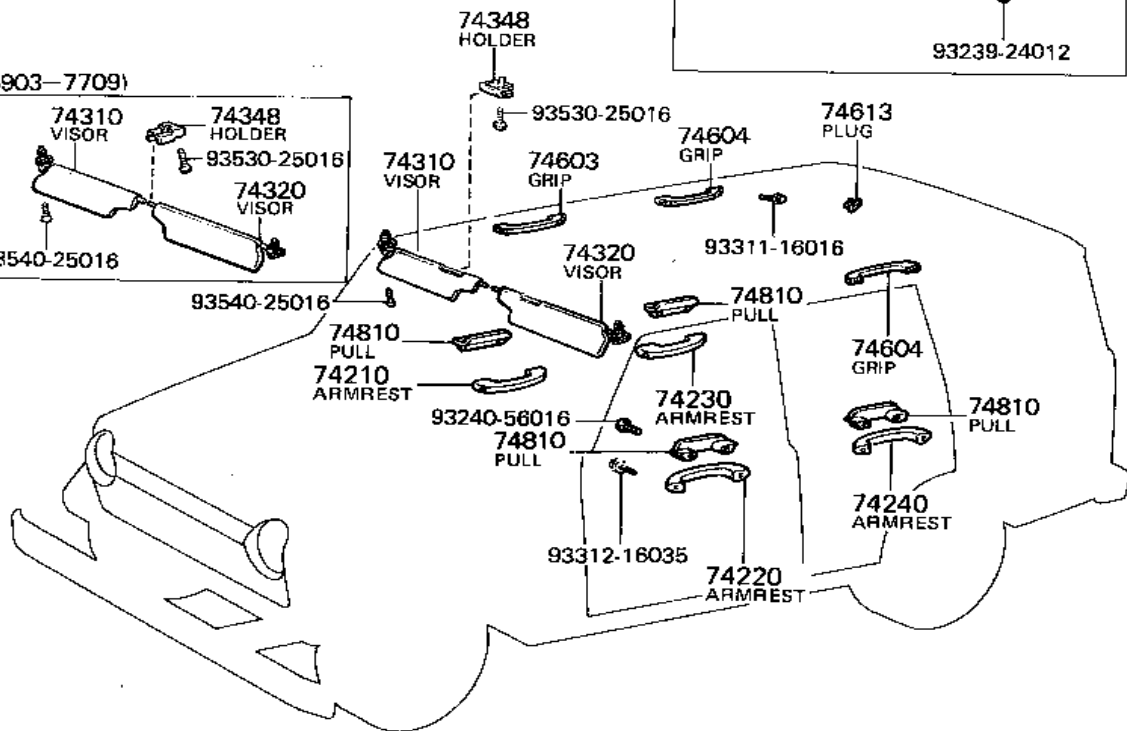
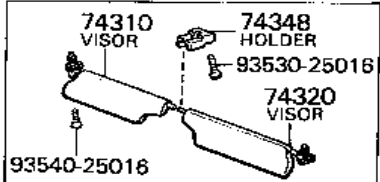


FJ55

(6903-7309)

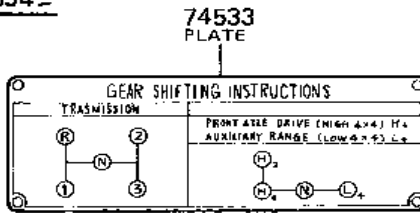


(6903-7709)

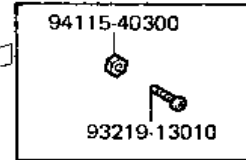


FJ4#, HJ45, BJ4 =

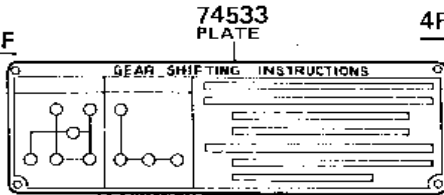
3F



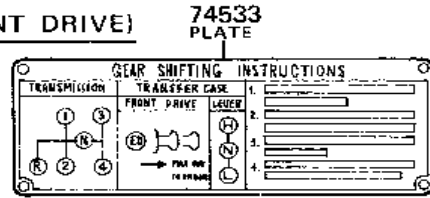
(6903-7701)



4F



4F (FRONT DRIVE)

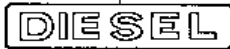


BJ4#, HJ45 (7909-)

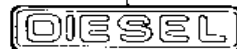
BJ4# (7402-7909)

HJ45 (7204-7909)

74548 PLATE



74548 PLATE



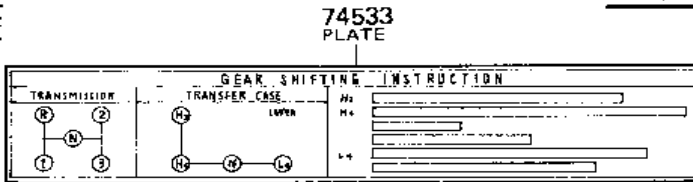
74548 PLATE



FJ55

FJ45, HJ45, EUR (7901-)

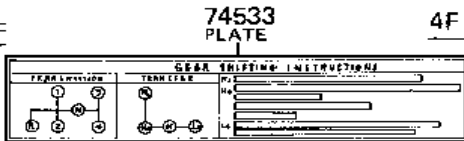
3F



74582 PLATE

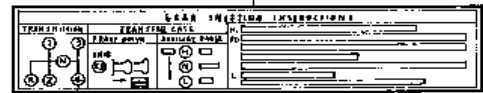


4F



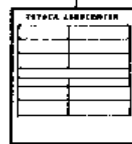
4F (FRONT DRIVE)

74533 PLATE



FJ55, ARL

74541 PLATE



FJ40, ARL

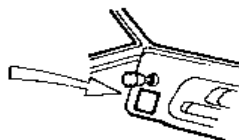
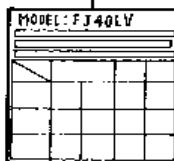
74562 PLATE



(7507-7709)

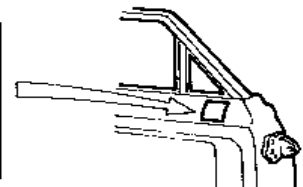
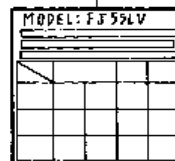
FJ40

74552 PLATE

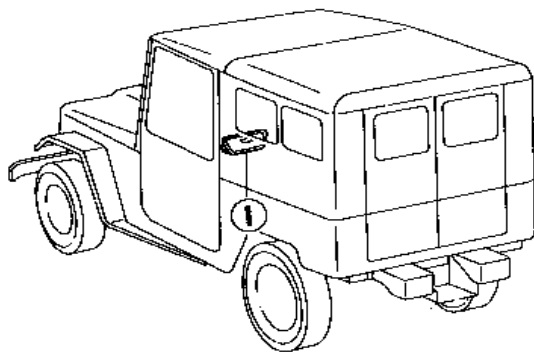
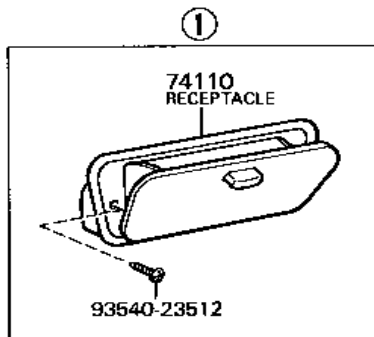


FJ55

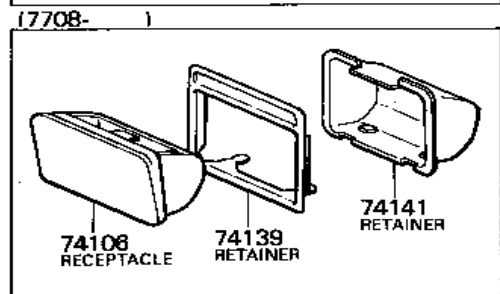
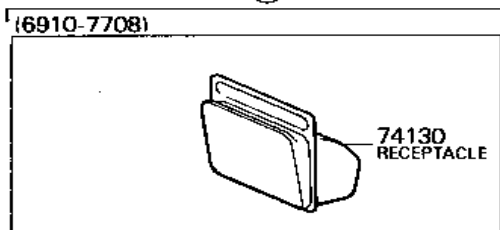
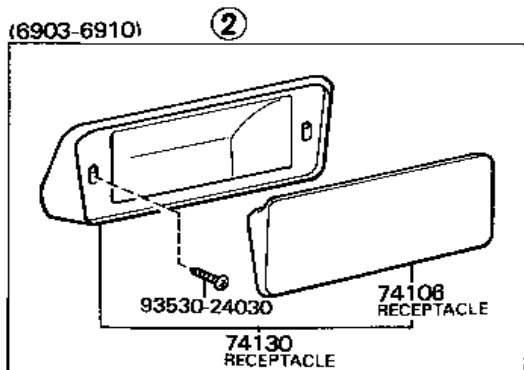
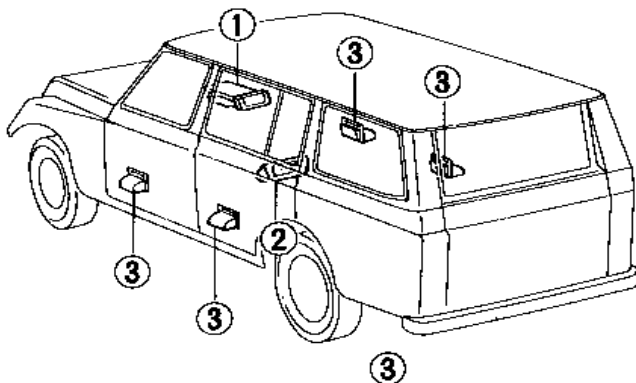
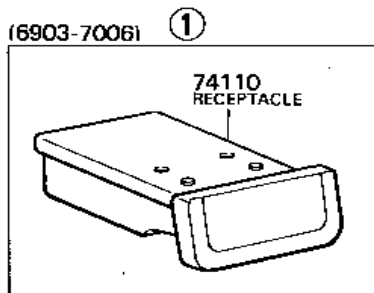
74552 PLATE

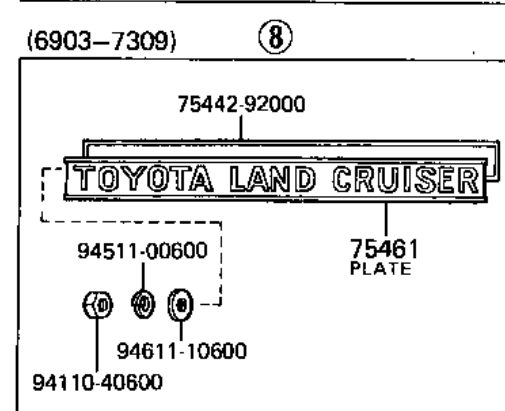
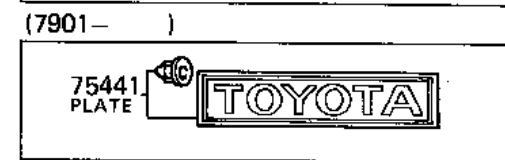
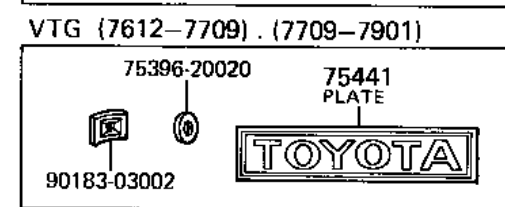
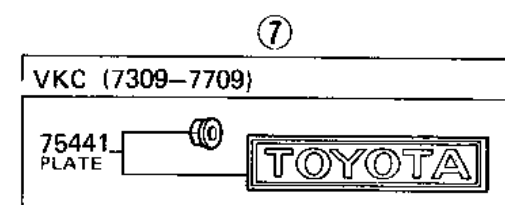
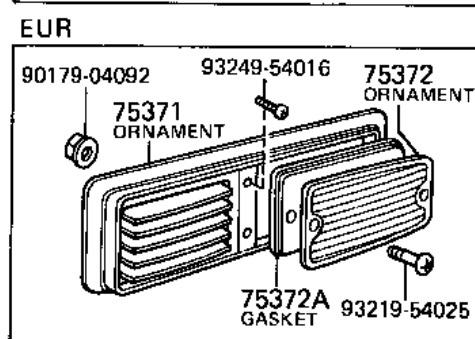
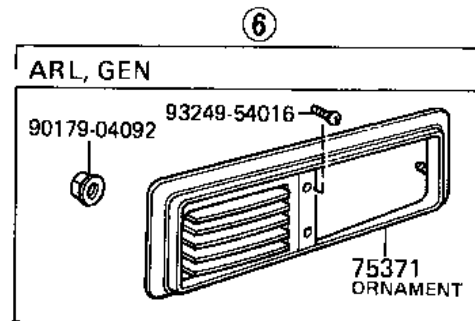
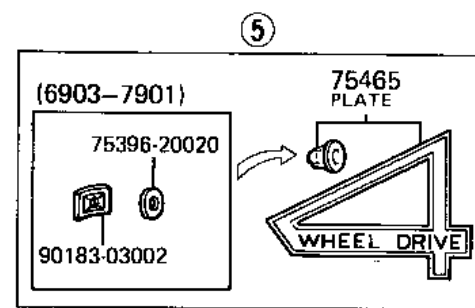
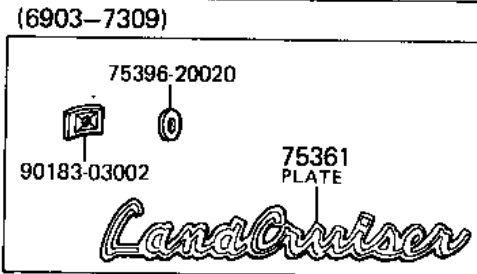
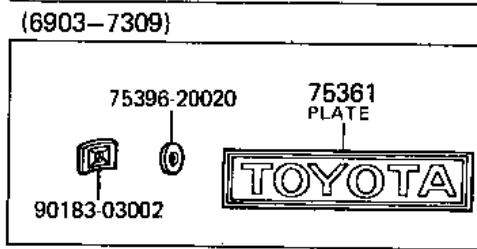
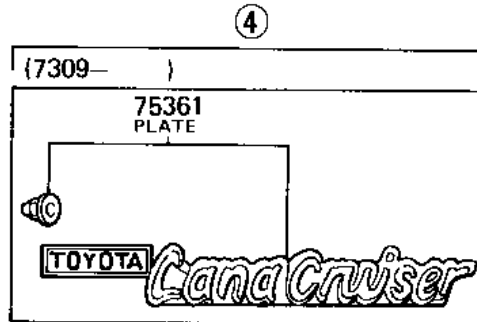
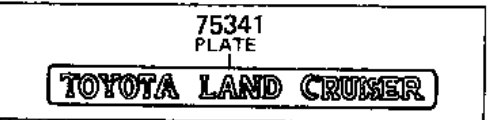
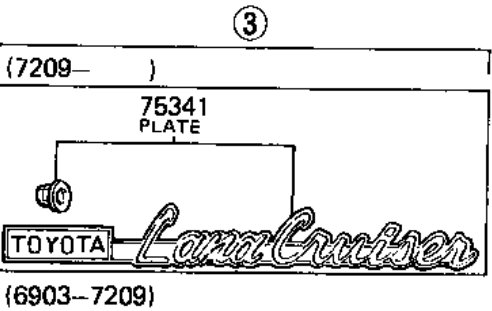
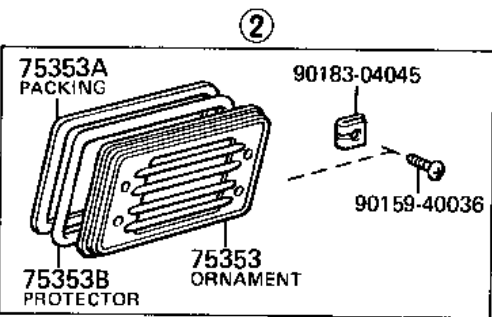
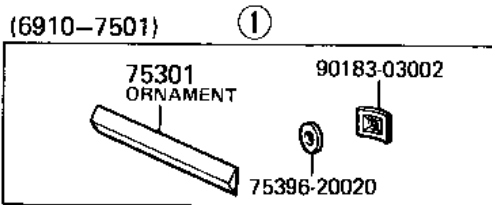
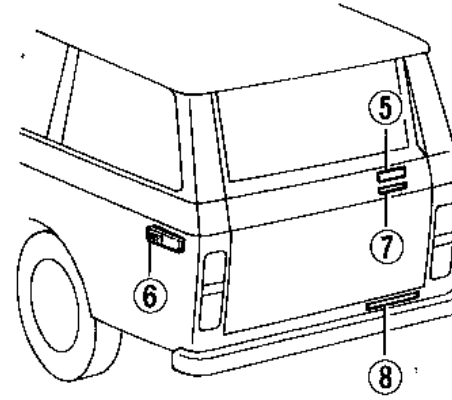
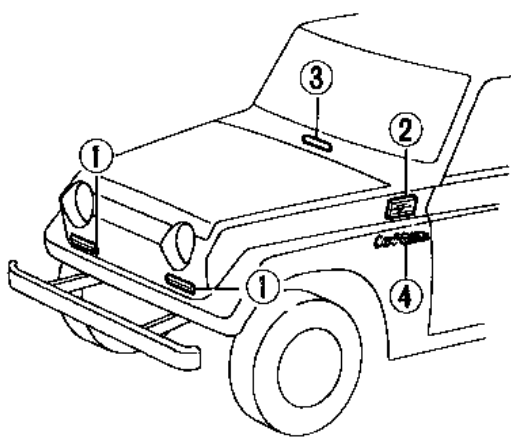


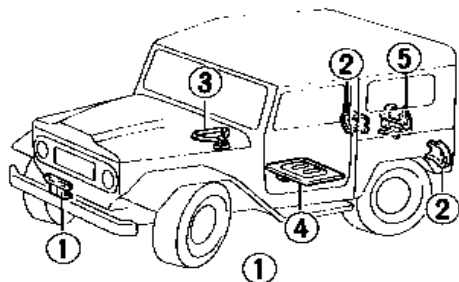
FJ4 #, HJ45, BJ4 #



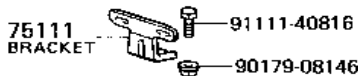
FJ55







(7604—)



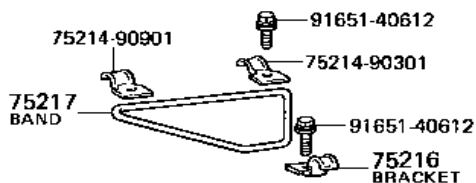
(6903-7604)



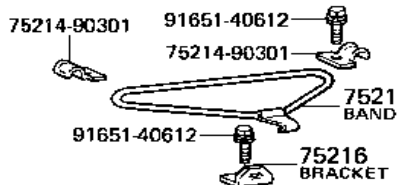
(6903-7309)



(7807—)



(7509-7807)

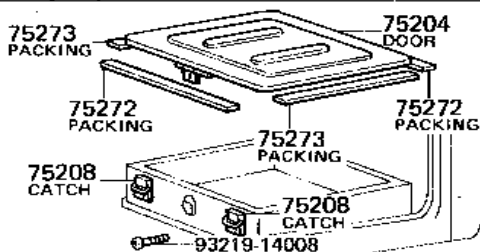


(6903-7509)



④

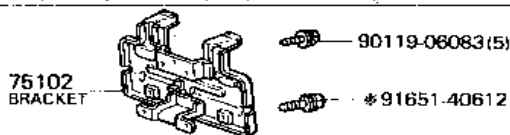
FJ40, 42, 43 (6903-7209)



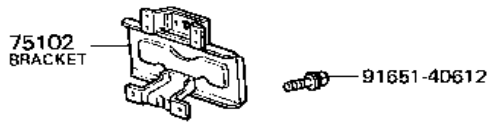
⑤

*(7402-7901)

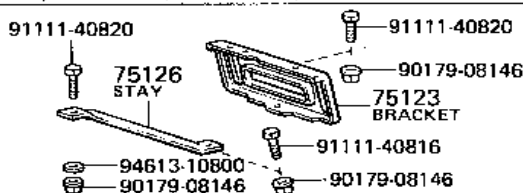
FJ4#, HJ45, BJ4# .V.TP (7402--)



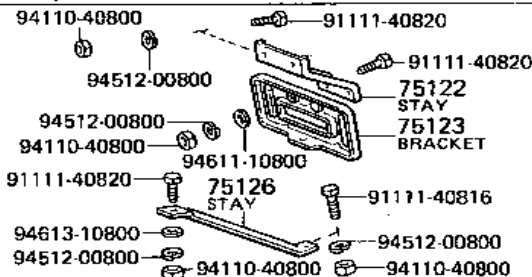
FJ40, 42, 43, BJ4# (6903-7402)



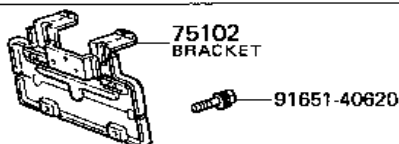
FJ45, HJ45 .PIC (7309—)



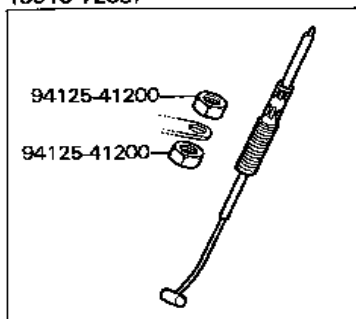
FJ45, HJ45 (6903-7309)



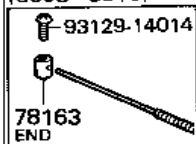
FJ55



(6910-7209)



(6903-6910)



*1 FJ55

78310
CABLE

90461-10348

78180C
SPRING

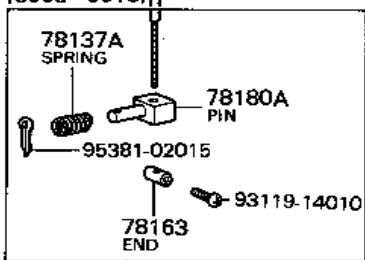
94110-40800
94511-00800
94611-10800

*1 91651-40620
91821-40816

55621
BRACKET

78410
CABLE

(6903-6910)



90202-10036

78180
WIRE

91611-40820

78184
CHANNEL

93219-15014

78184A
CUSHION

94115-40500

78110E
GUIDE

78181
BEARING

90202-08028

78111
PEDAL

94611-10800

94611-10800

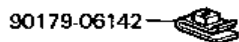
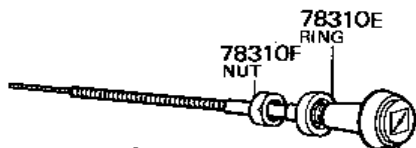
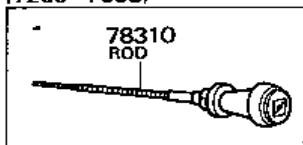
91651-40616

90202-08028

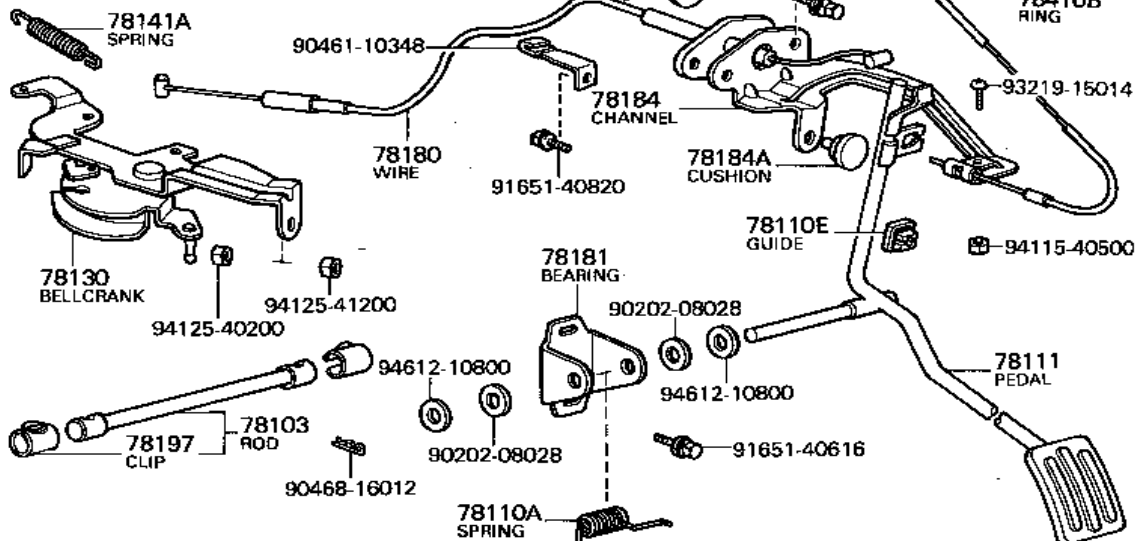
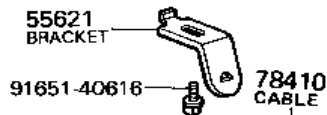
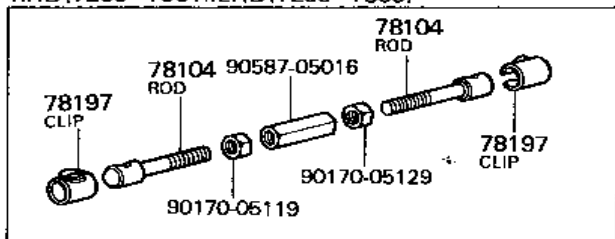
95381-02015

78110A
SPRING

(7209-7608)

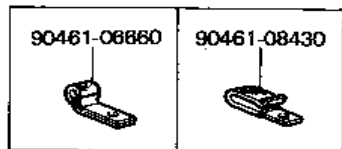


RHD (7209-7501).LHD (7209-7309)

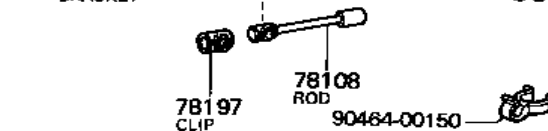
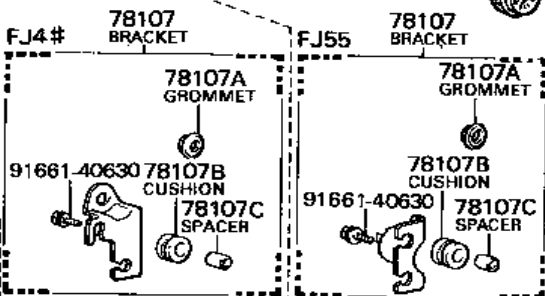
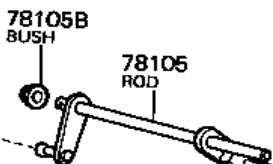
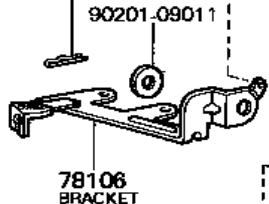
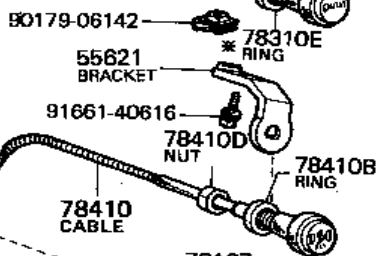
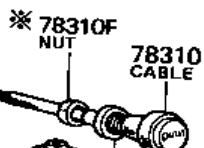
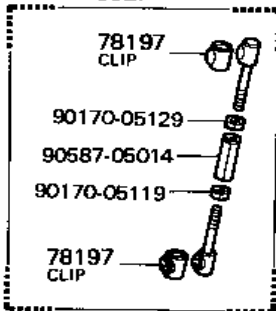


RHD (7209-7309)	FJ55 (7209-7309)	RHD (7309-)	FJ4#..RHD (7209-7309)	FJ4# (7209-)	FJ4# (7209-)
90461-08430	90461-10348	90461-08037	90463-06161	90468-14009	90461-06860

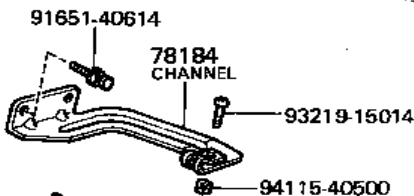
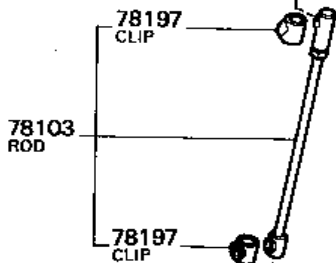
FJ55 (7209-)	FJ55 (7309-)	FJ55..LHD (7209-7309)
90461-08430	91651-40616	91651-40616
	90461-08218	90461-08882



(7309-76021)



*Included in 78310 ROD



78181 BEARING

78184A CUSHION

78110E GUIDE

94612-10800

90202-08028

78110A SPRING

94612-10800

90202-08028

*1 91651-40818
*2 91651-40616

90468-16012

*1 (7309-7803)

*2 (7803-)

78198 BOOT

78111 PEDAL