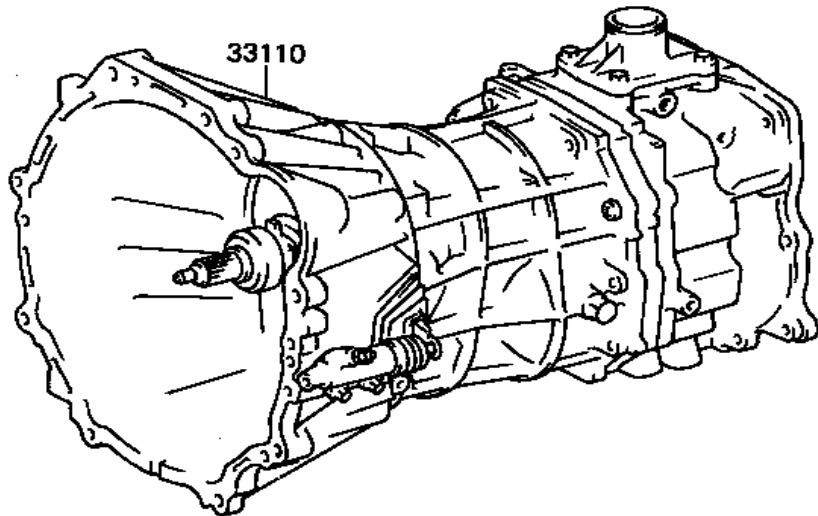
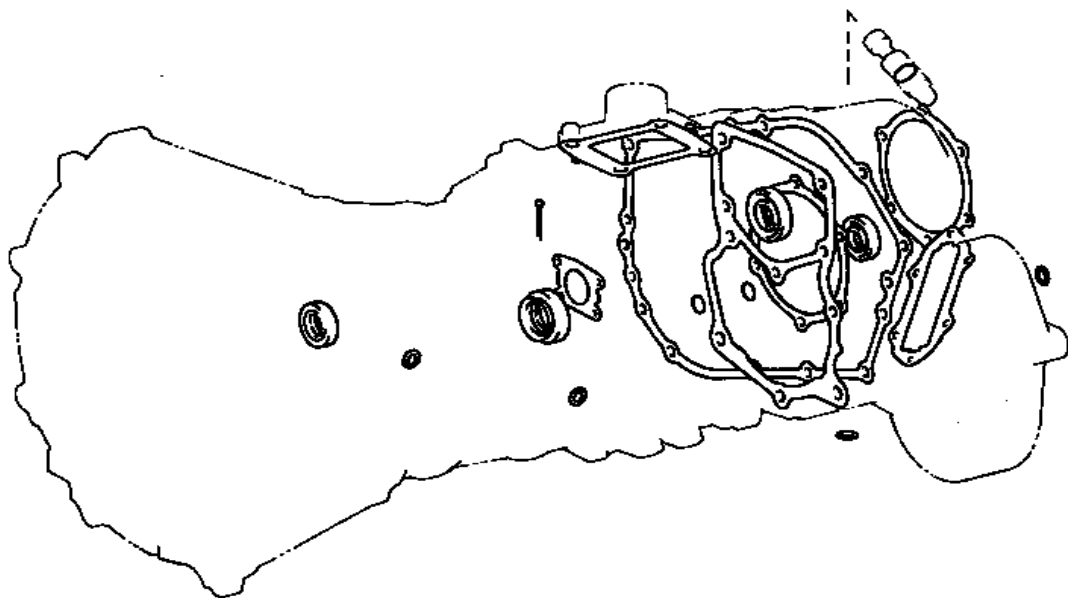


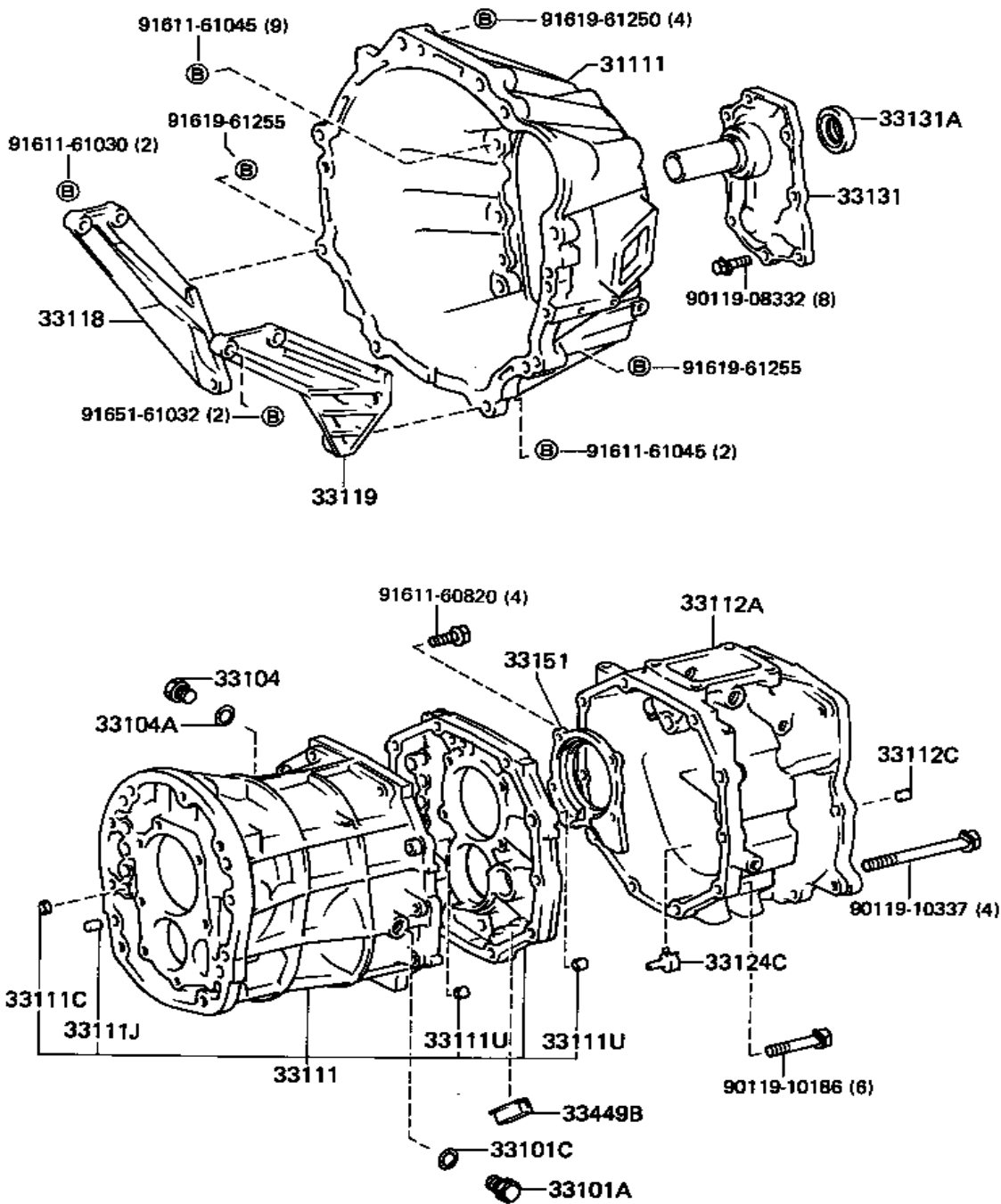
MC C931-B

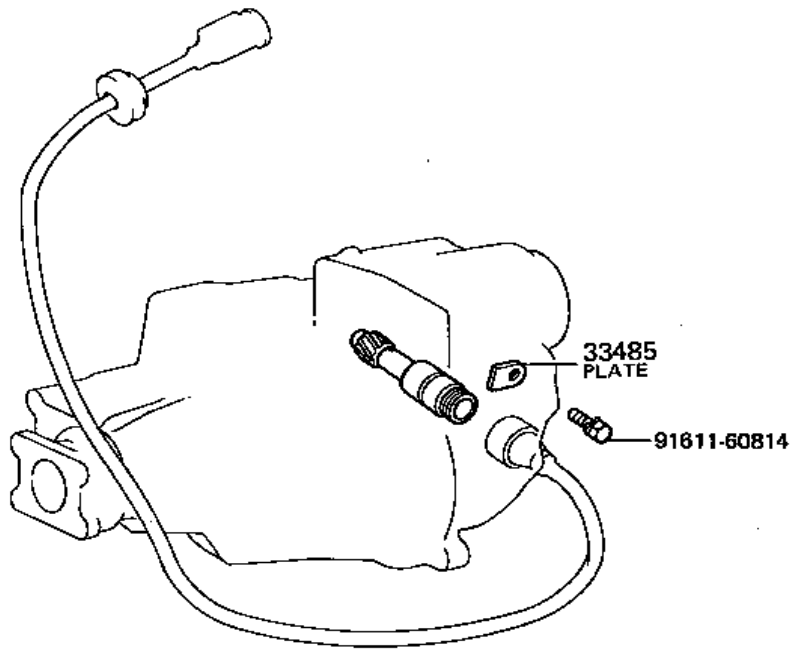


04331

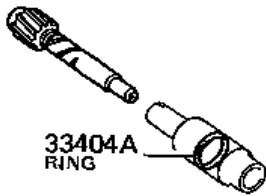


MC C927-A

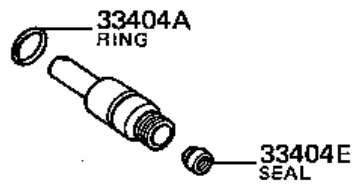




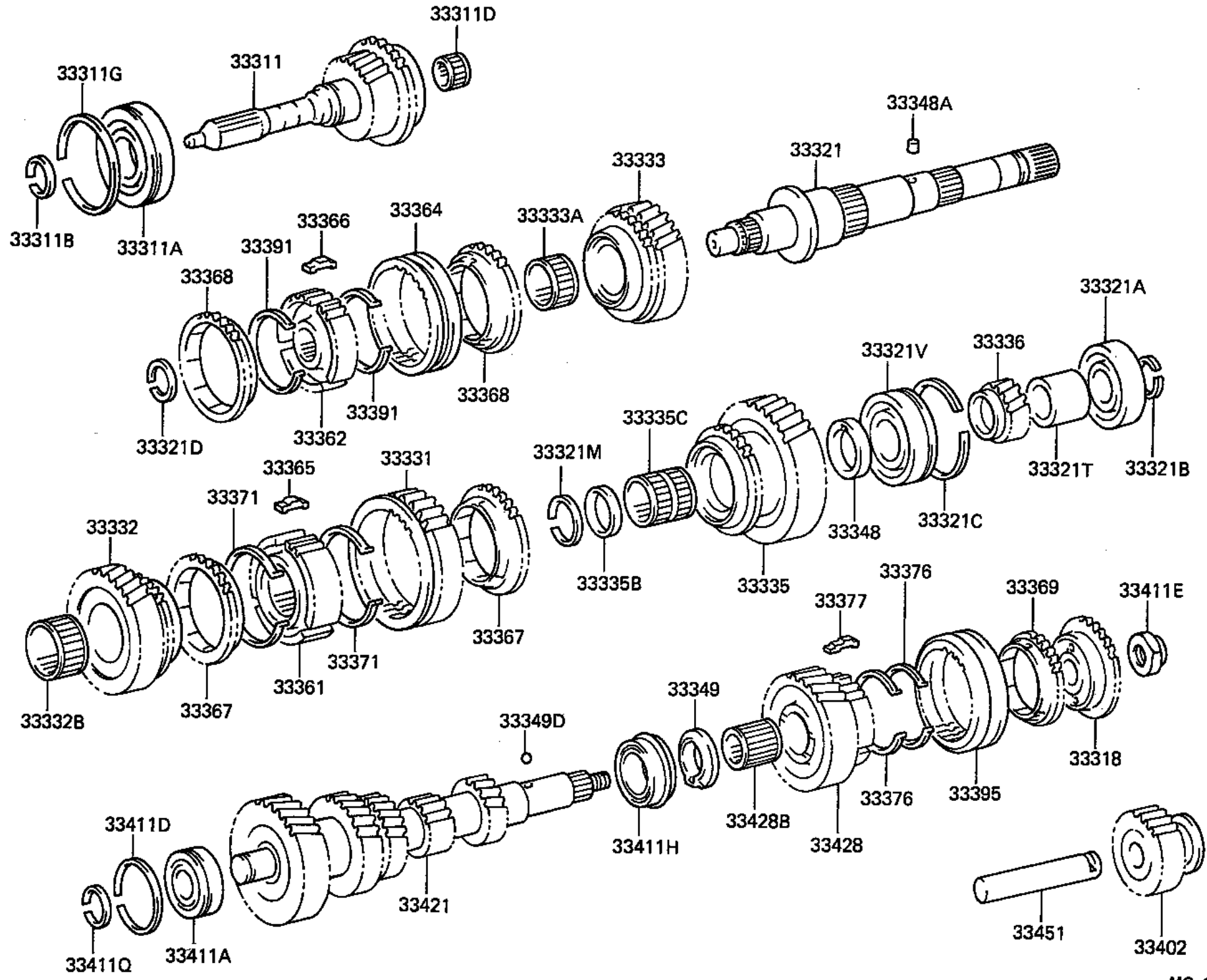
33403
GEAR

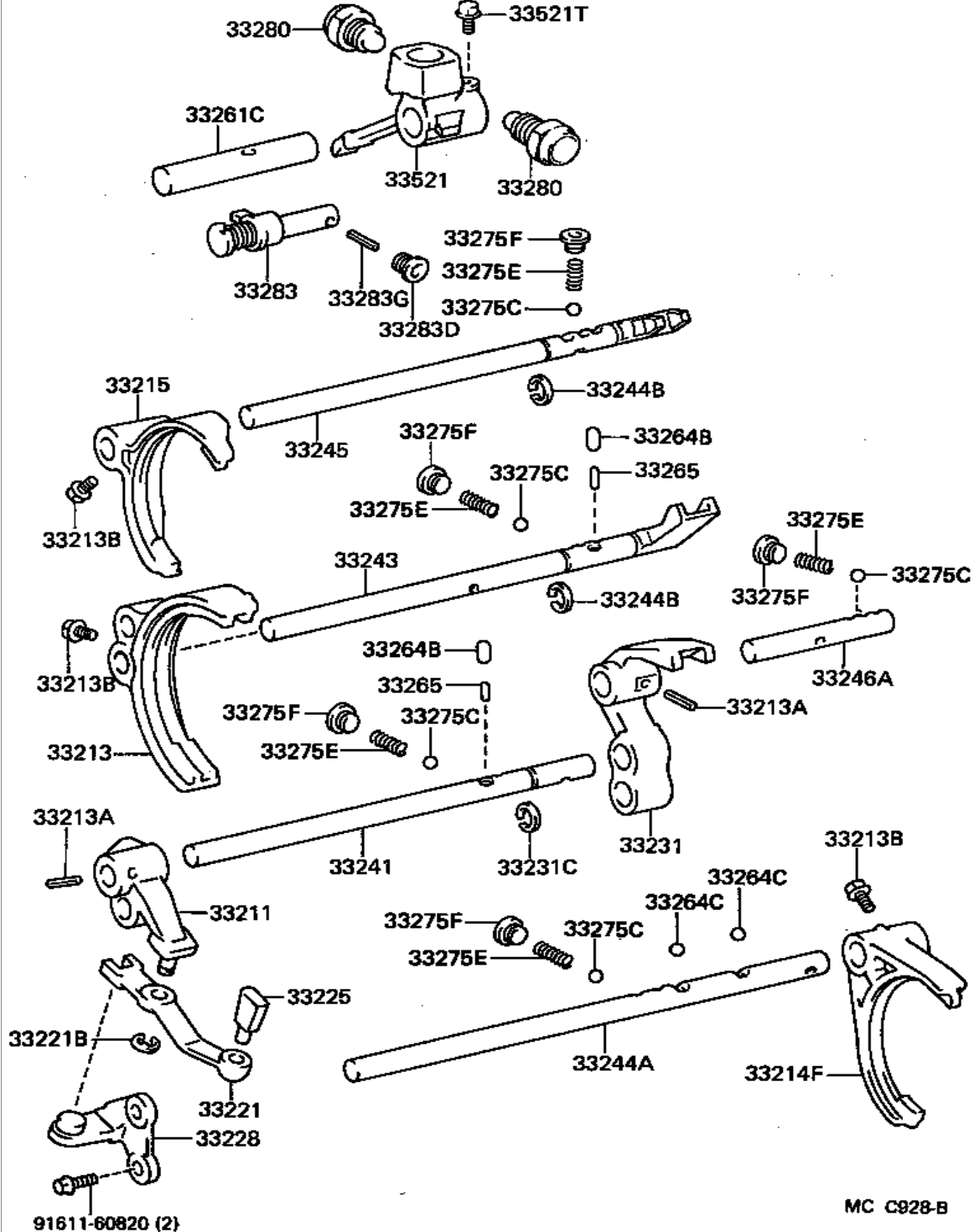


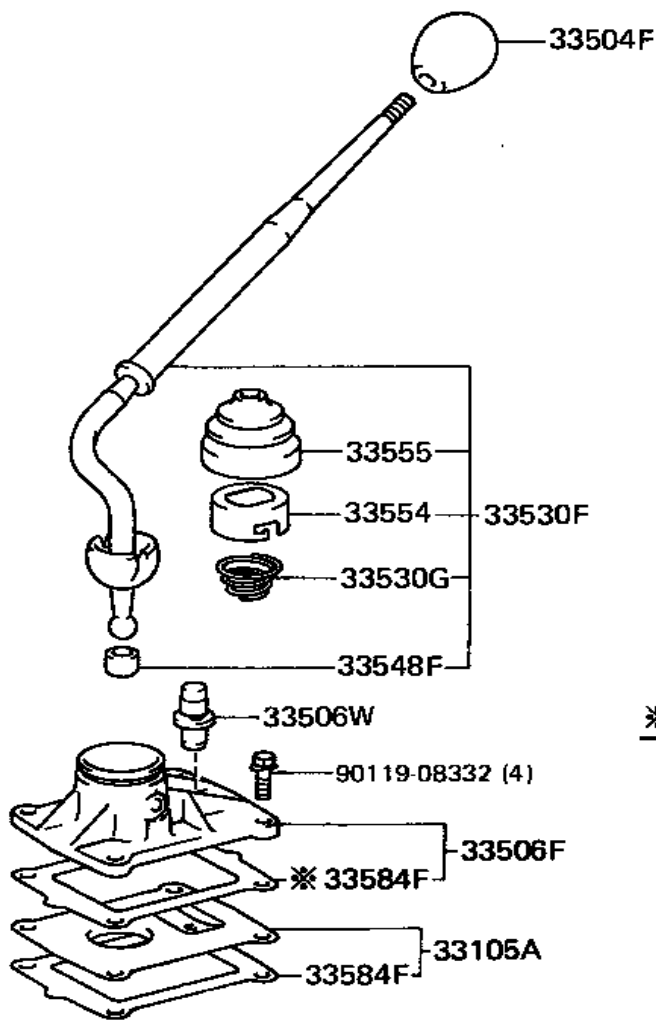
33404
SLEEVE



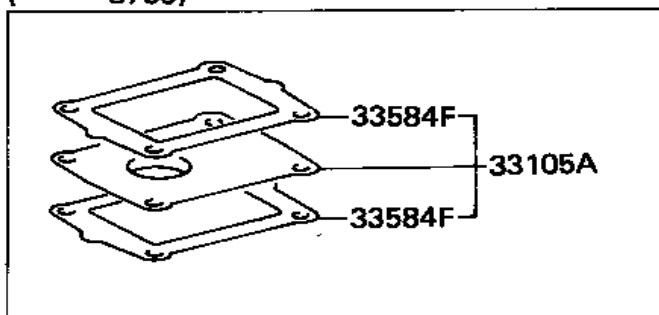
MC B696







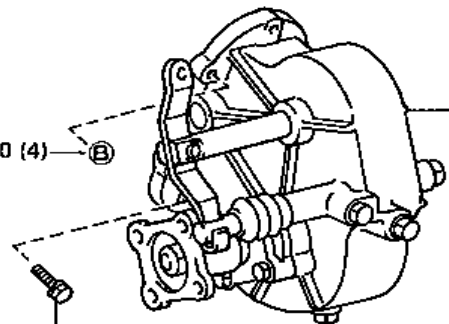
(-8705)



91651-60830 (4) (B)

90119-08353 (2)

36610 POWER TAKE-OFF



36610F PLUG

36611 CASE

91611-40816 (B)

36611D PLATE (2)

91611-60814 (B)

36622A COVER (B)

91611-60816 (B)

36611D PLATE

36611C PLUG

36633A GASKET



36426 BOOT

36814A SEAL

36814B RING

36610G GASKET

36610H PLUG

36621 RETAINER

36610C SPRING

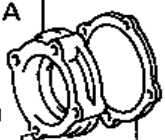
36610G GASKET

36610H PLUG

36723D WASHER

36604 FLANGE

36621A SEAL



36631 GASKET

36610D BALL

36610B GASKET

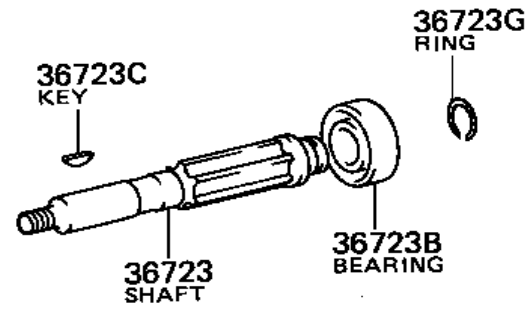
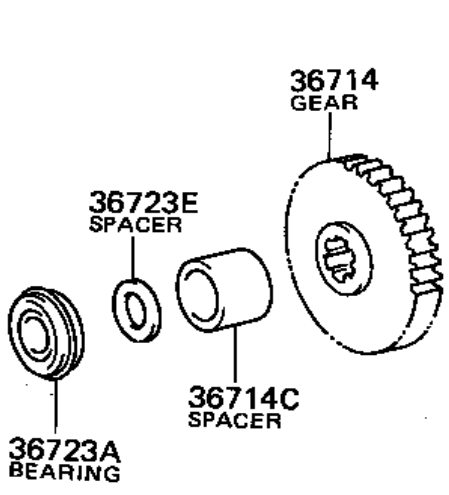
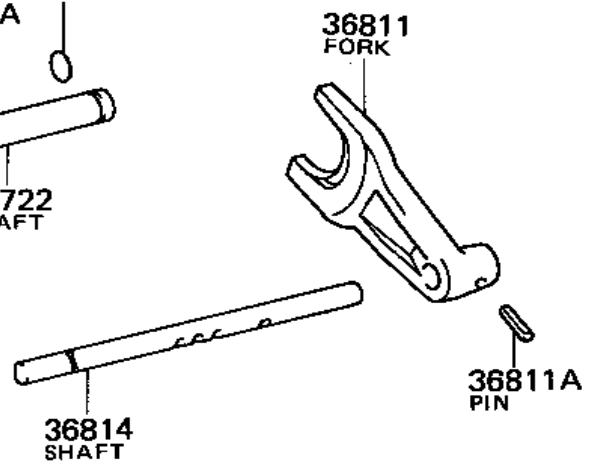
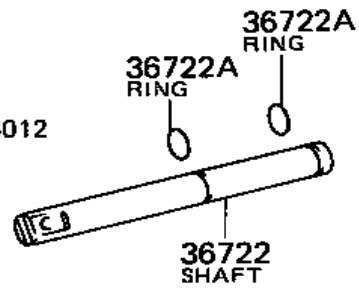
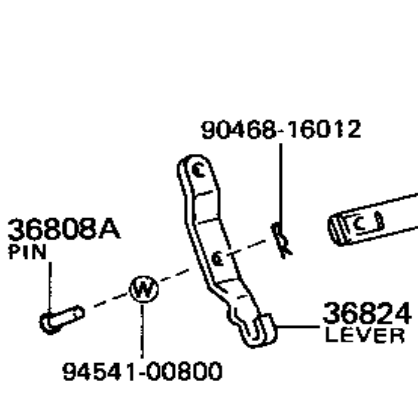
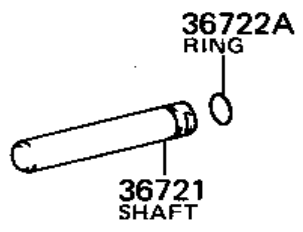
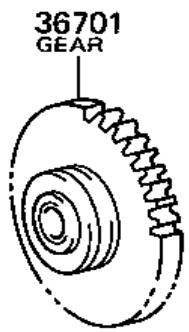
36610A BOLT

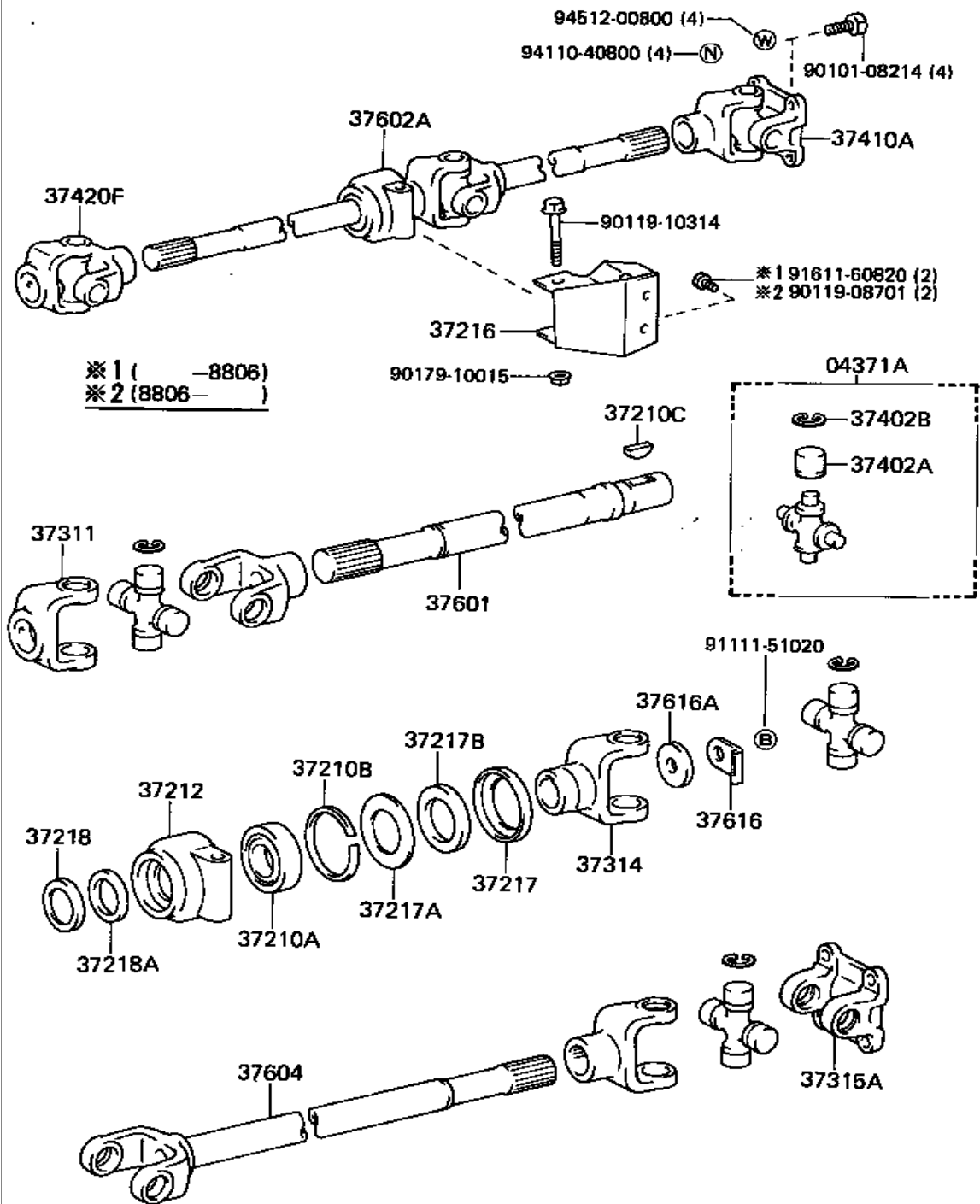
95381-03020 (N)

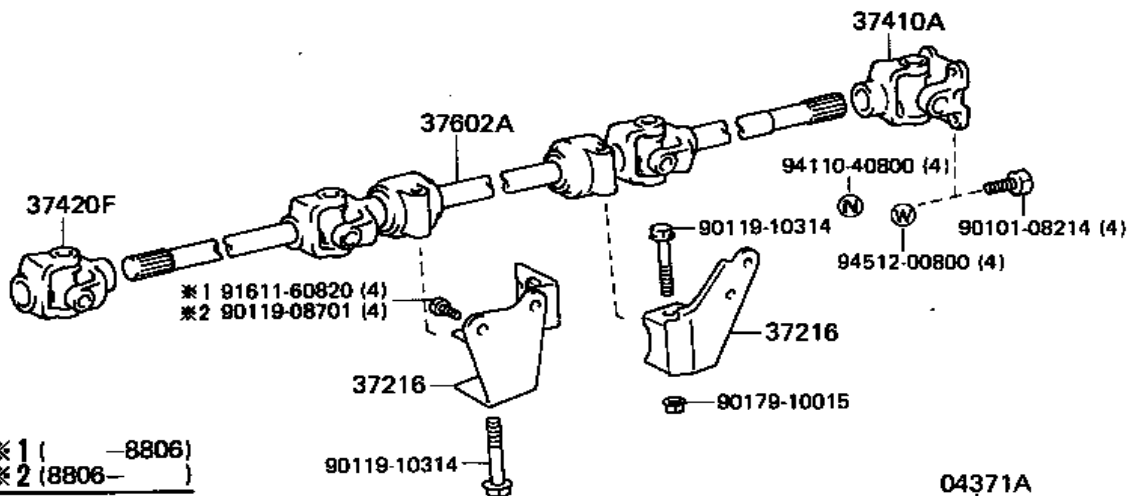
94146-41200

91611-60835 (4) (B)

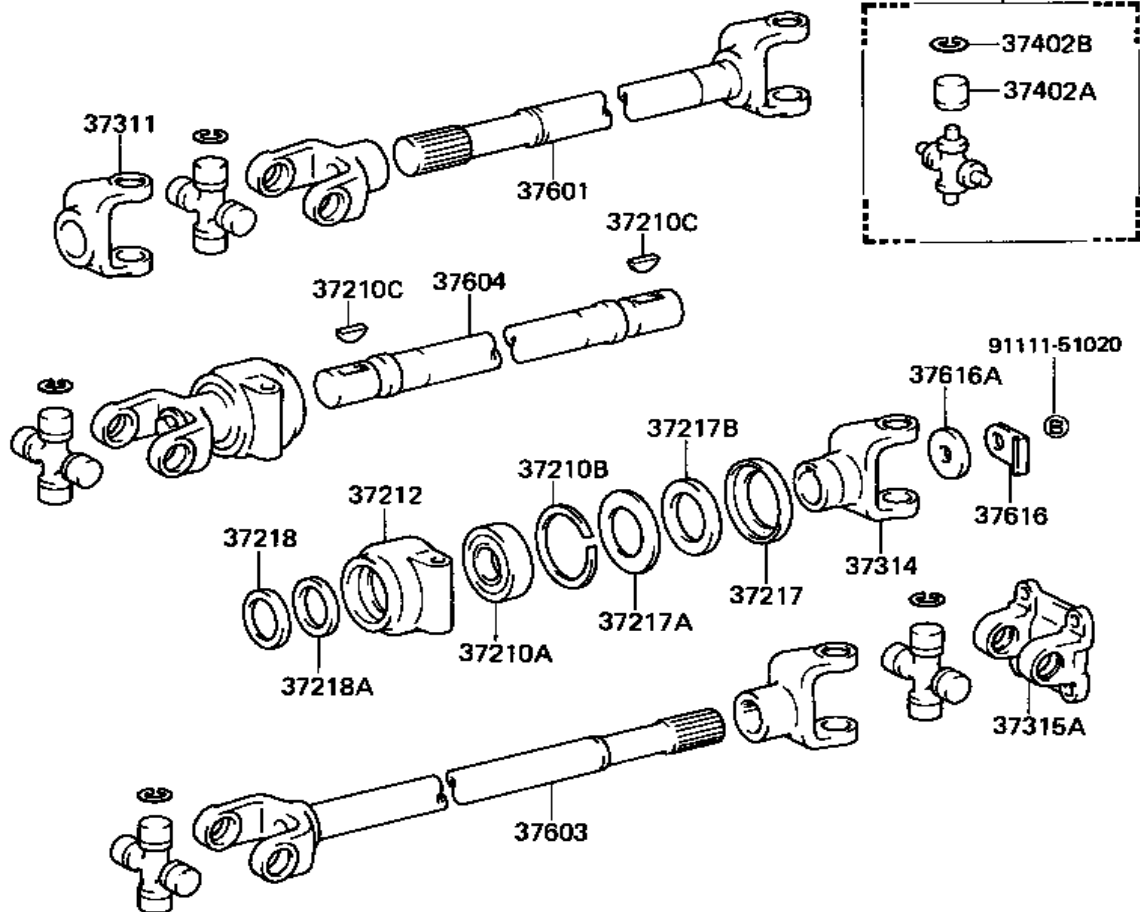
MC B727-A

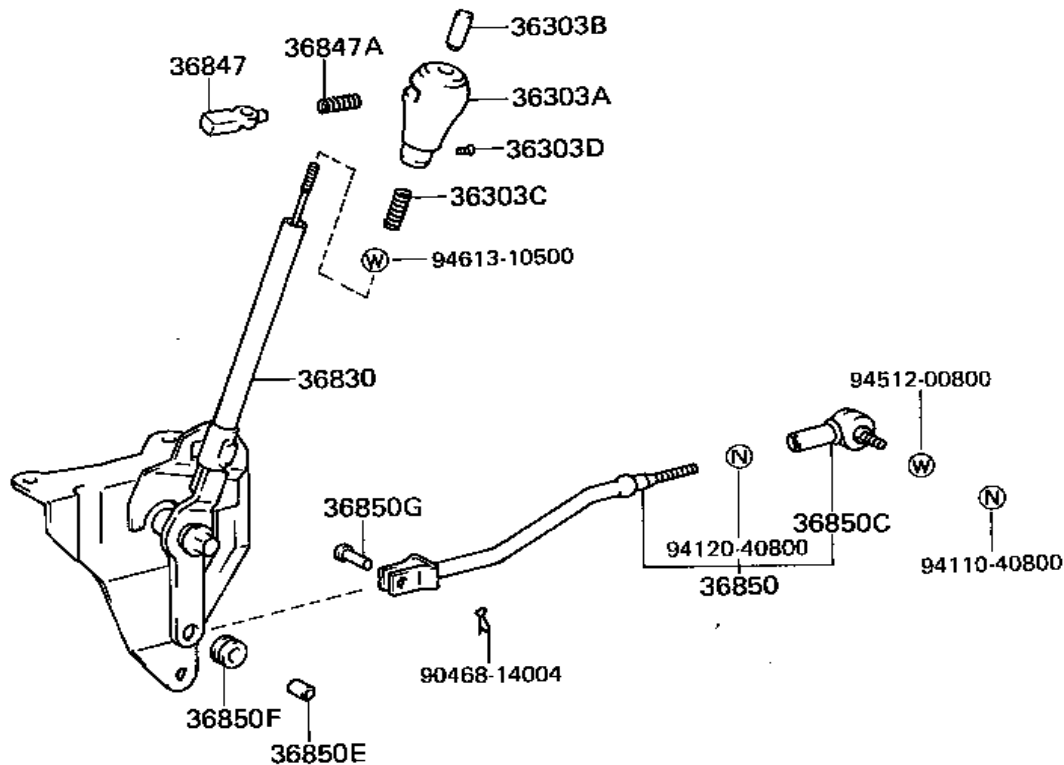






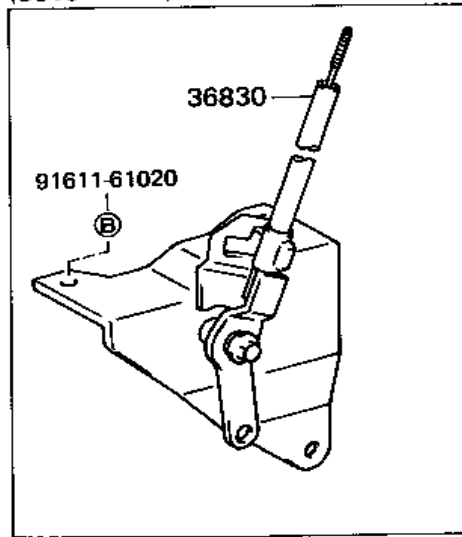
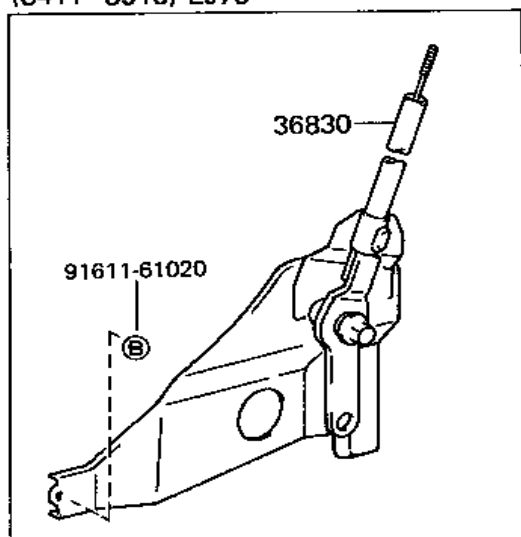
*1 (—8806)
 *2 (8806—)



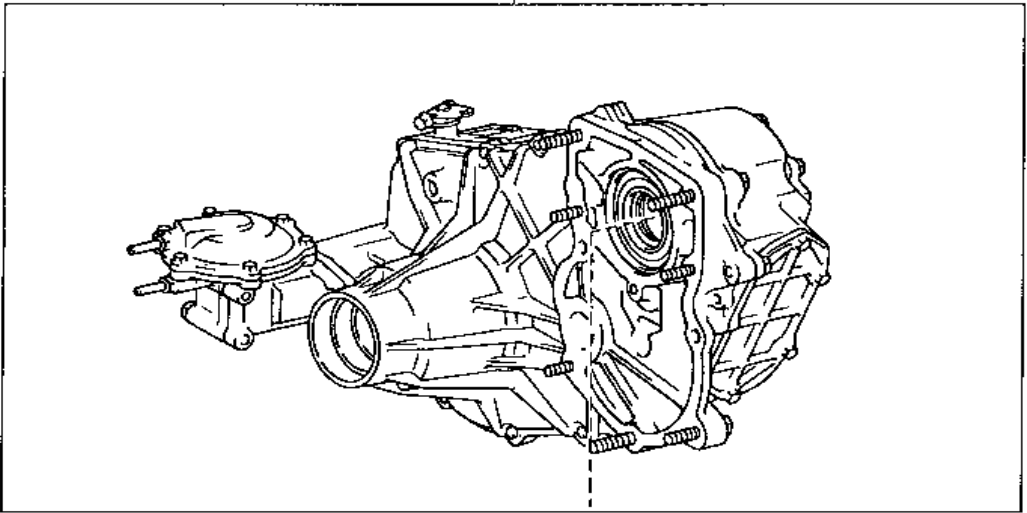


(8411-) RJ7#
 (8411-8510) LJ70

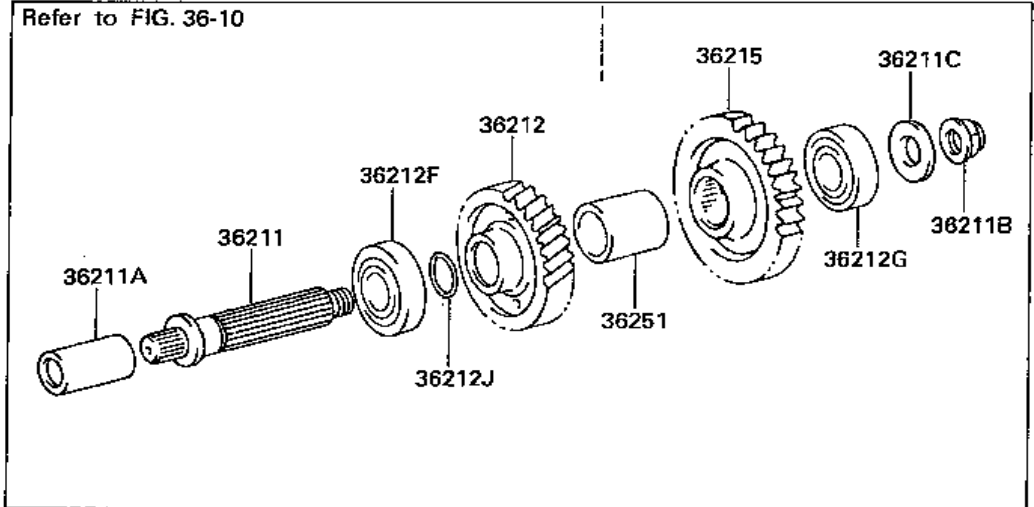
(8510-) LJ70 .. LHD .. HT



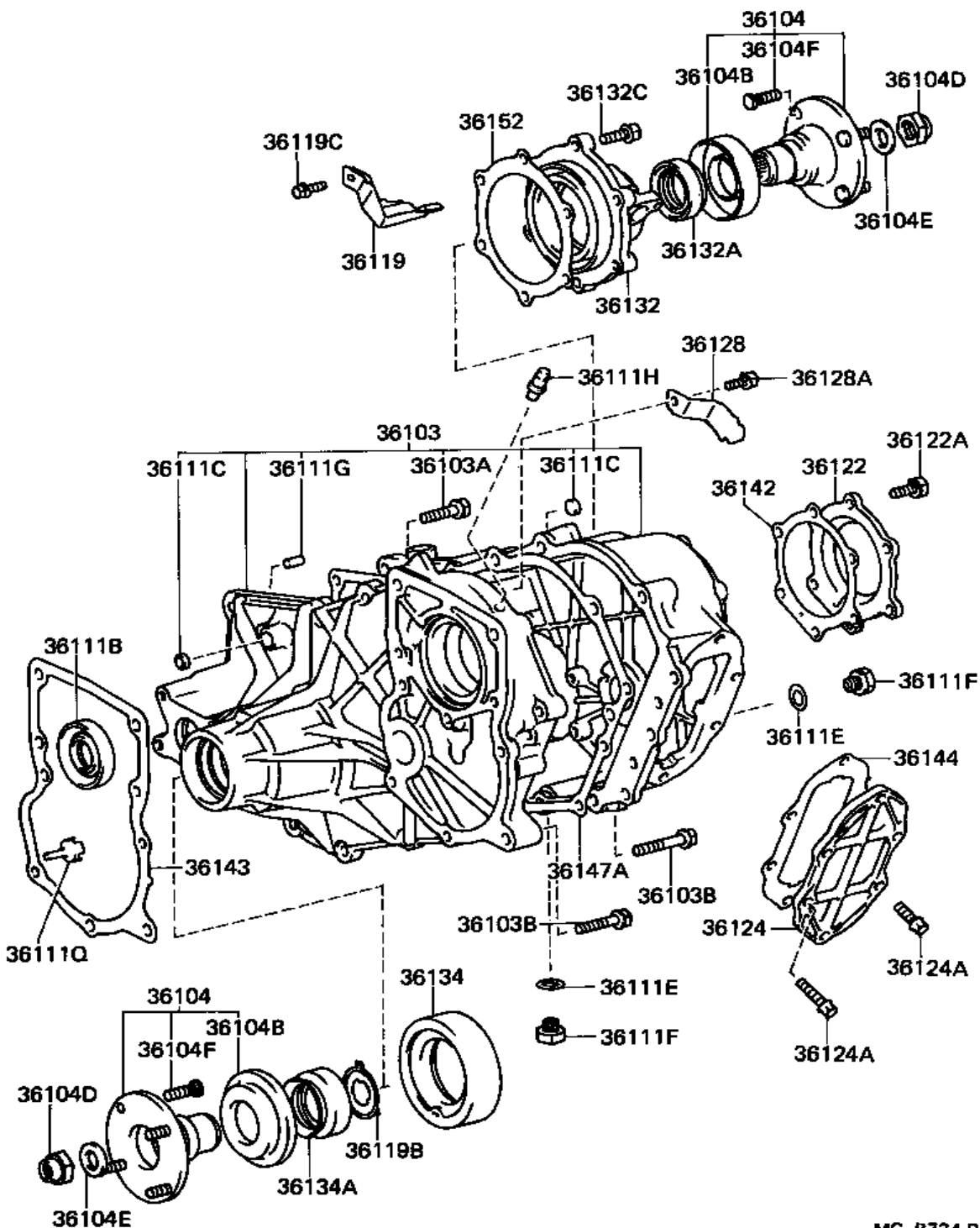
36110



Refer to FIG. 36-10

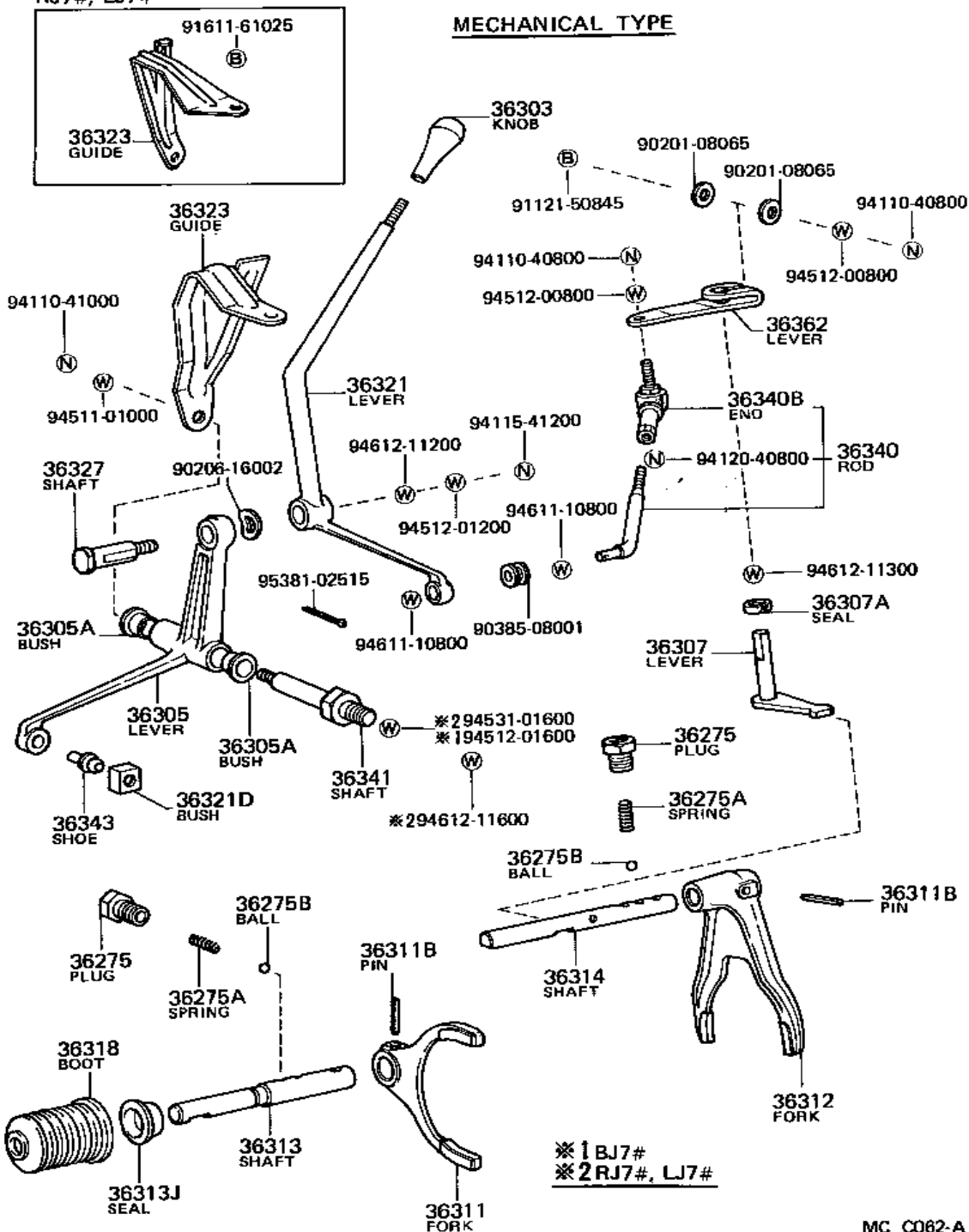


MC V577

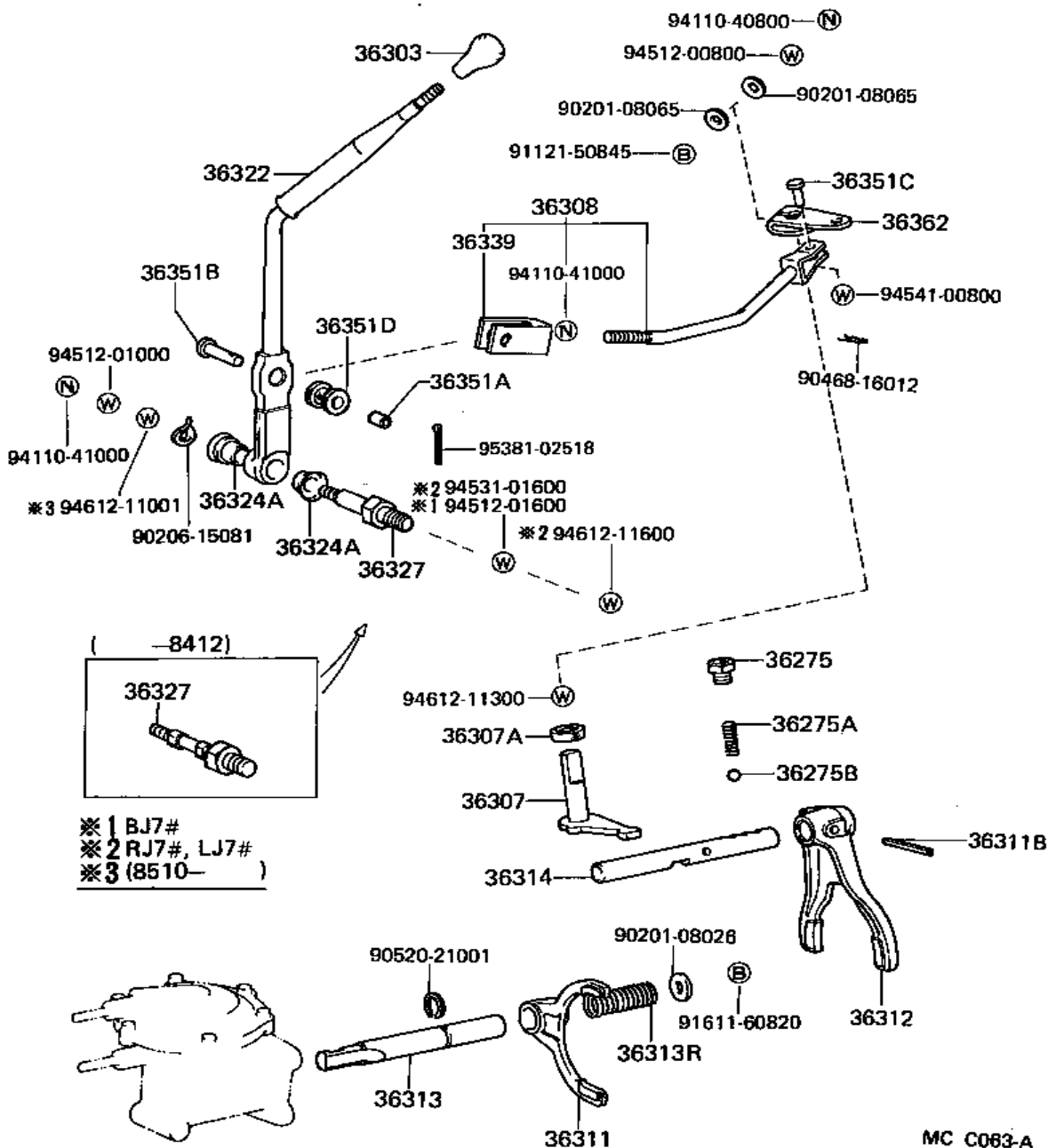


RJ7#, LJ7#

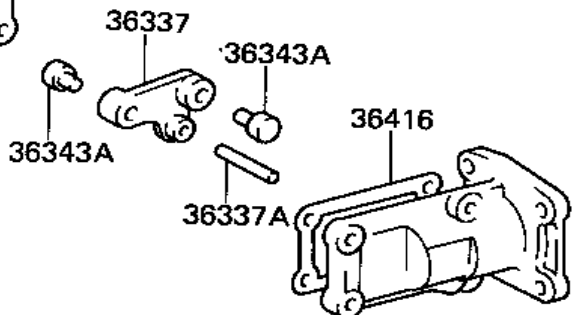
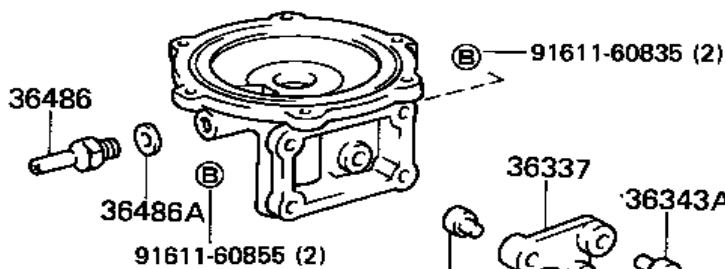
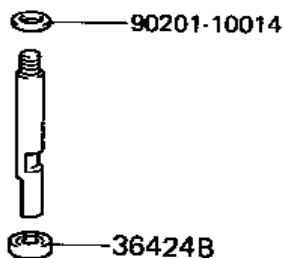
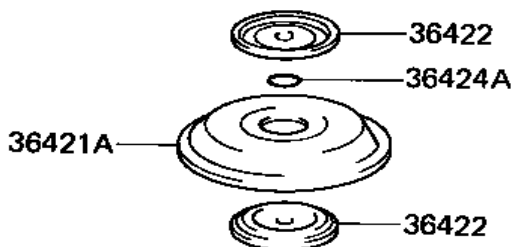
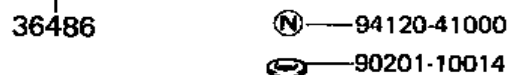
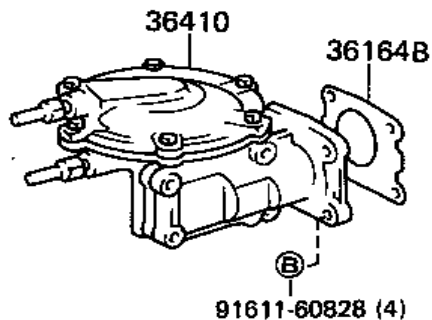
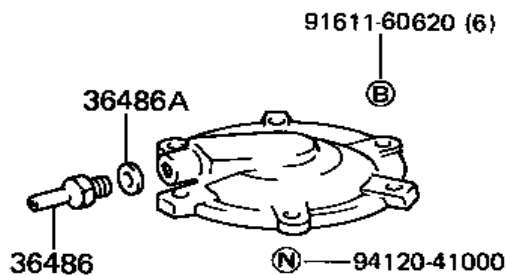
MECHANICAL TYPE



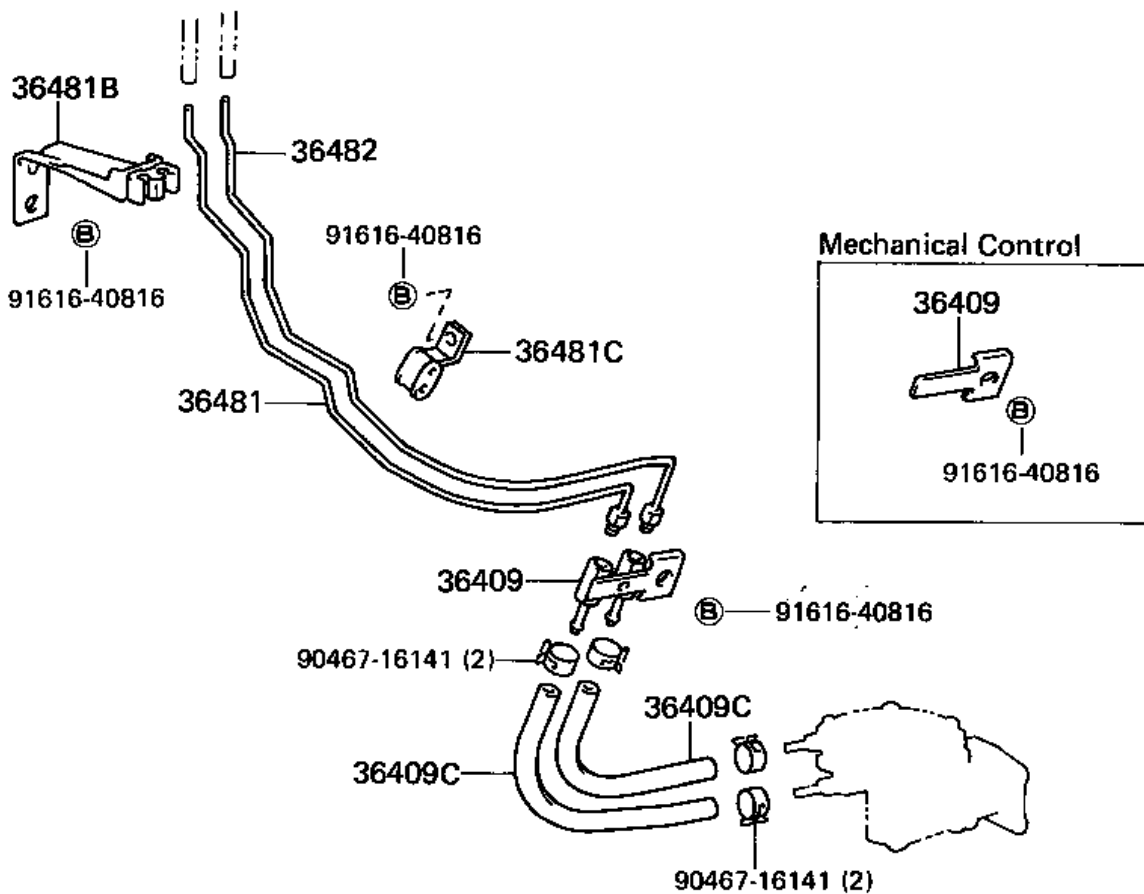
ELECTRIC TYPE



MC C083-A

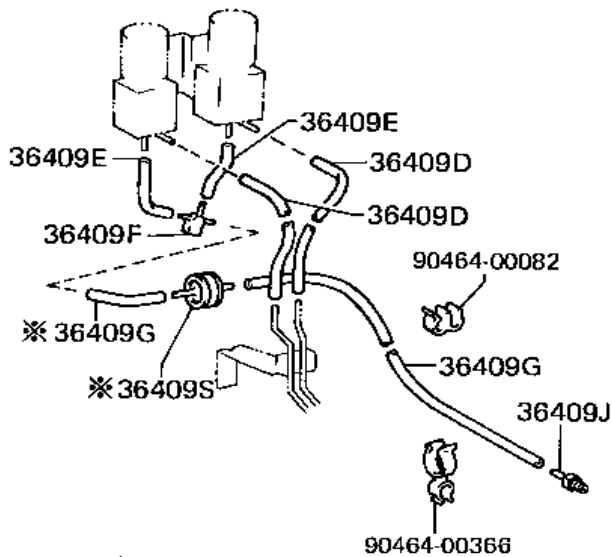


MC B743-B



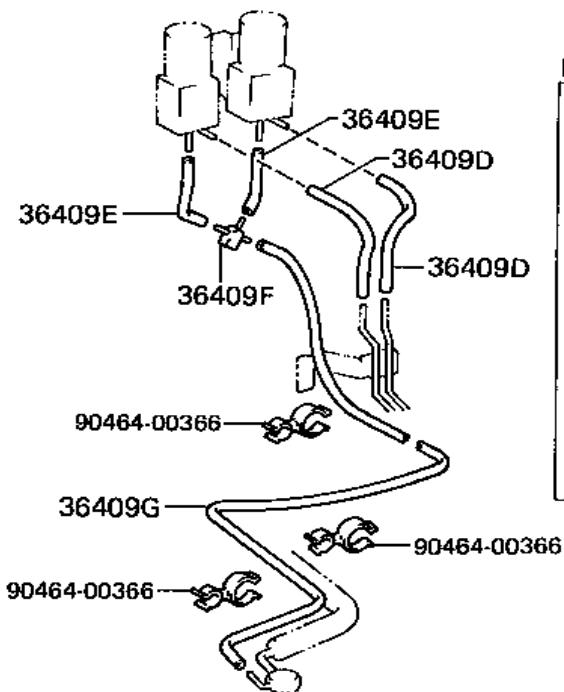
MC B744-A

RJ7#

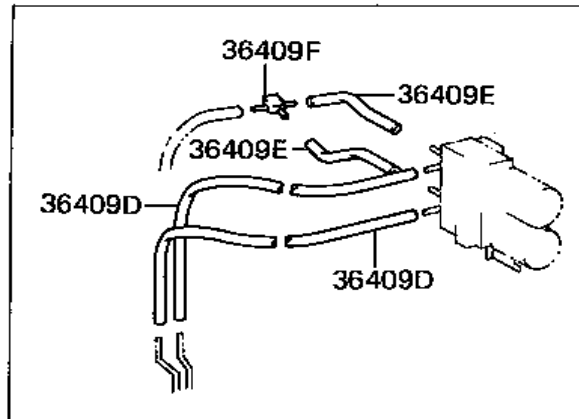


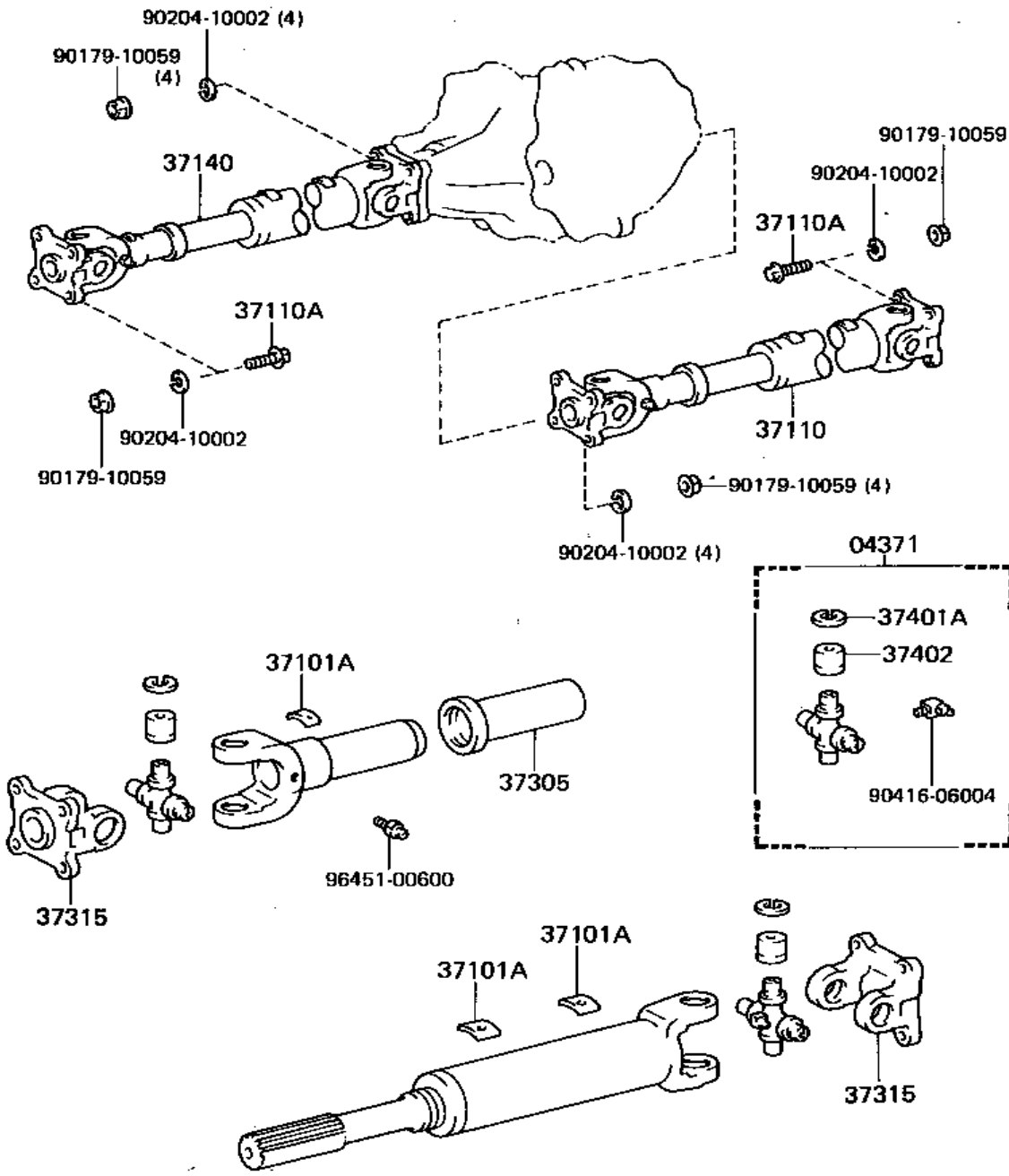
※(8510—)

LJ7#

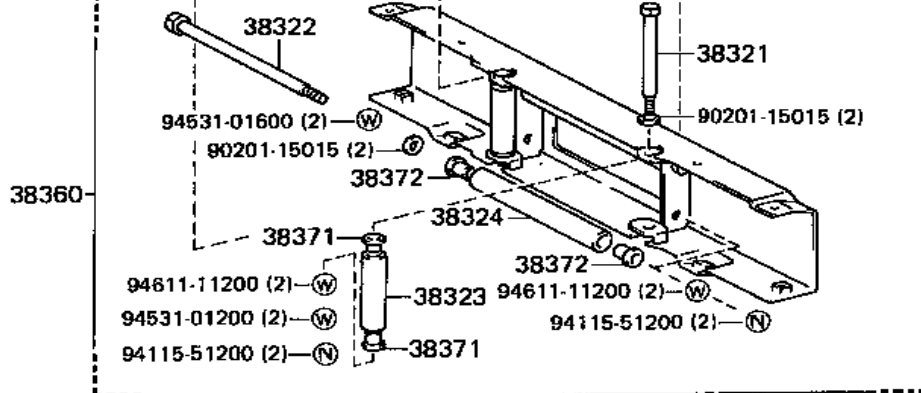
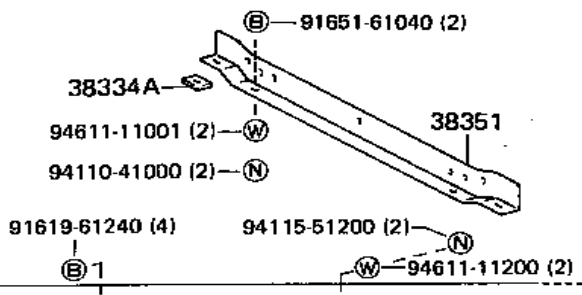
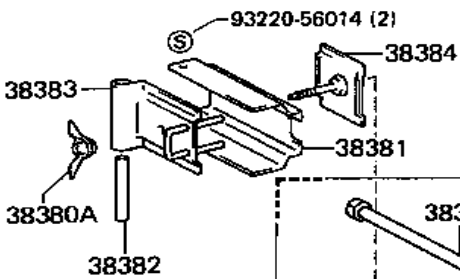
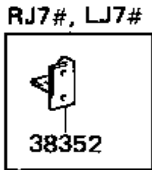
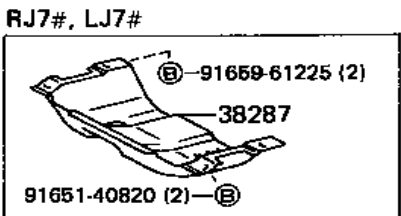
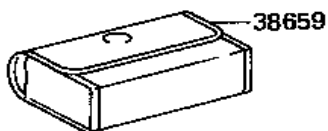
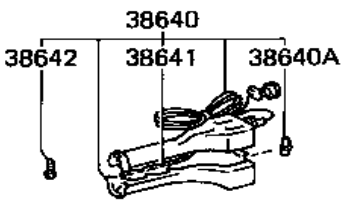
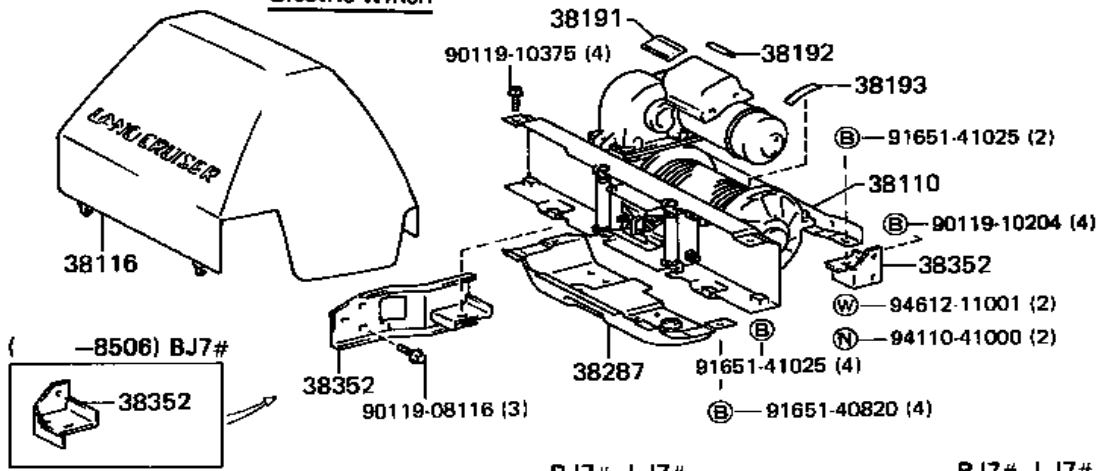


RHD

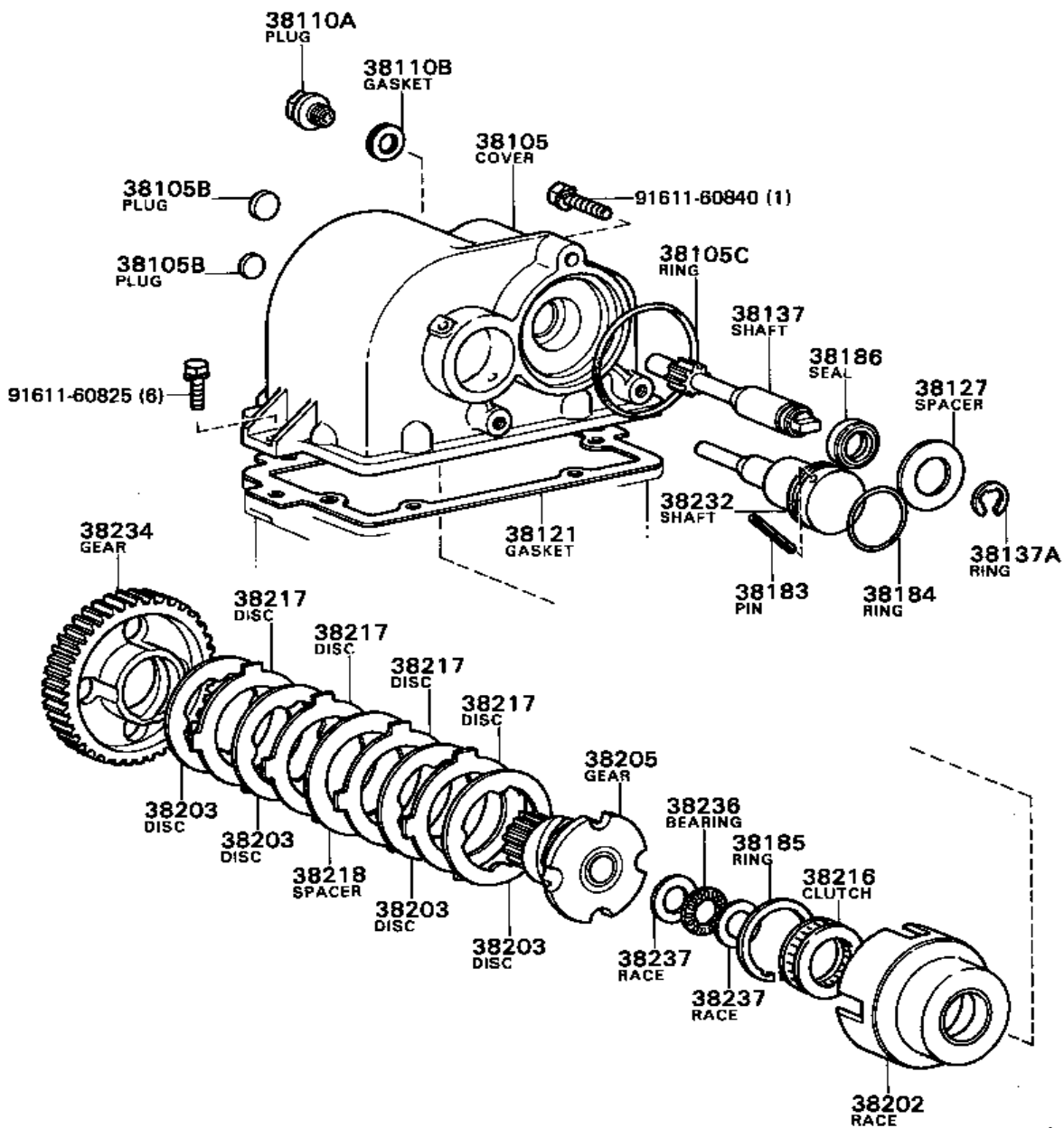




Electric Winch

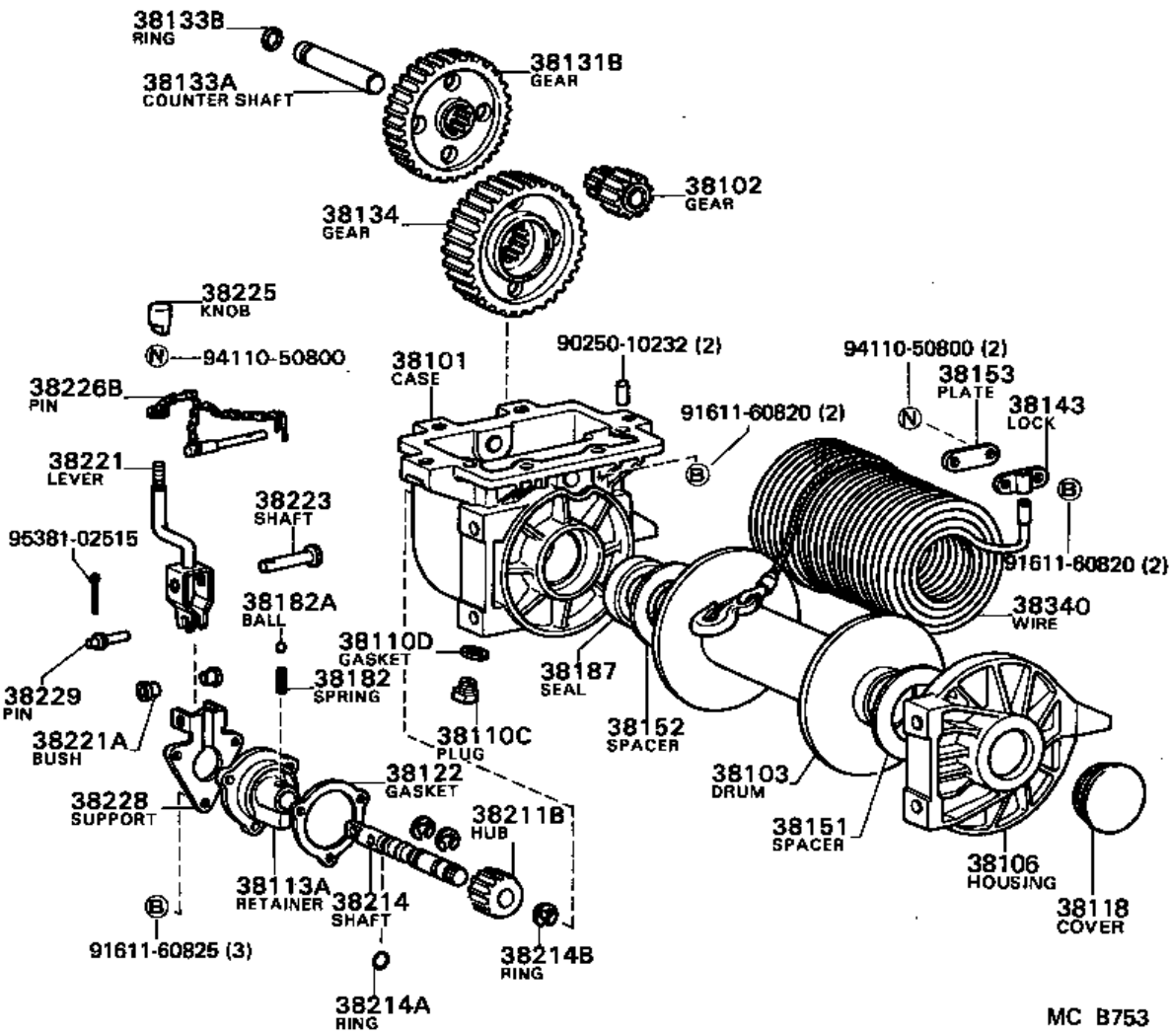


Electric Winch



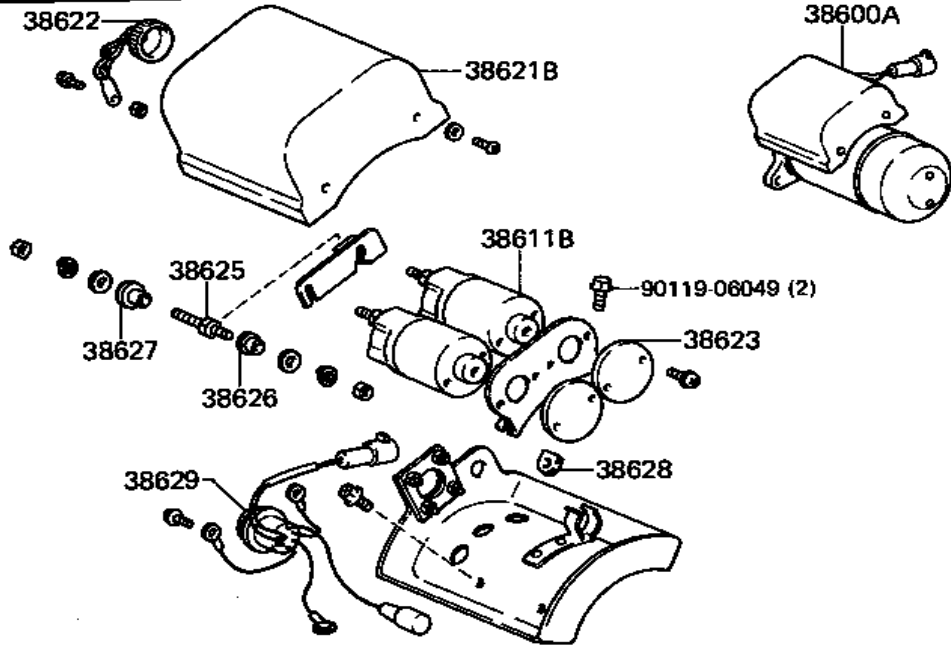
MC 8752

Electric Winch

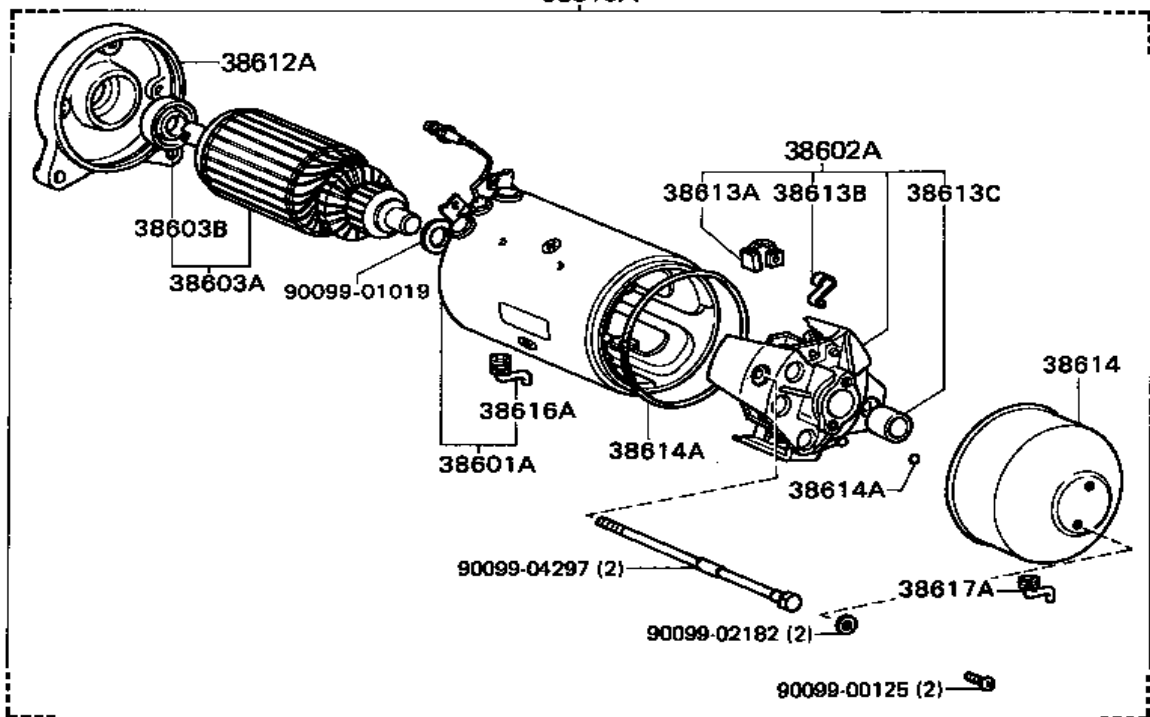


MC B753

Electric Winch



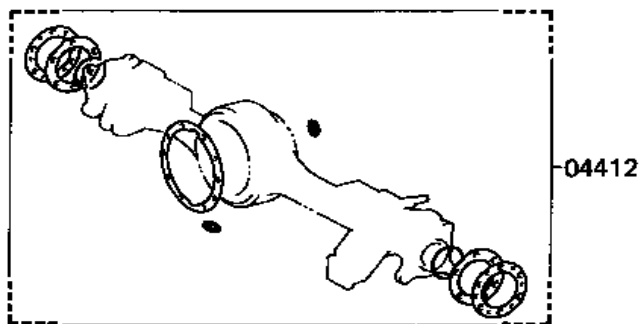
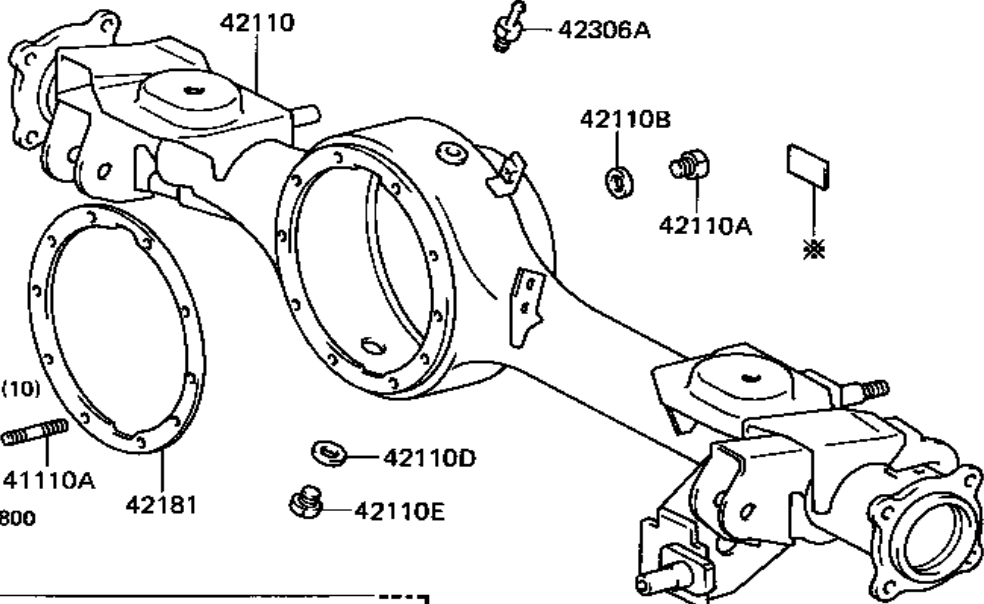
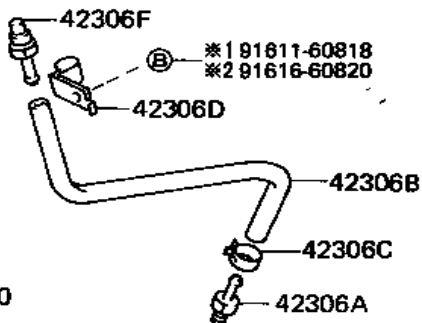
38610A



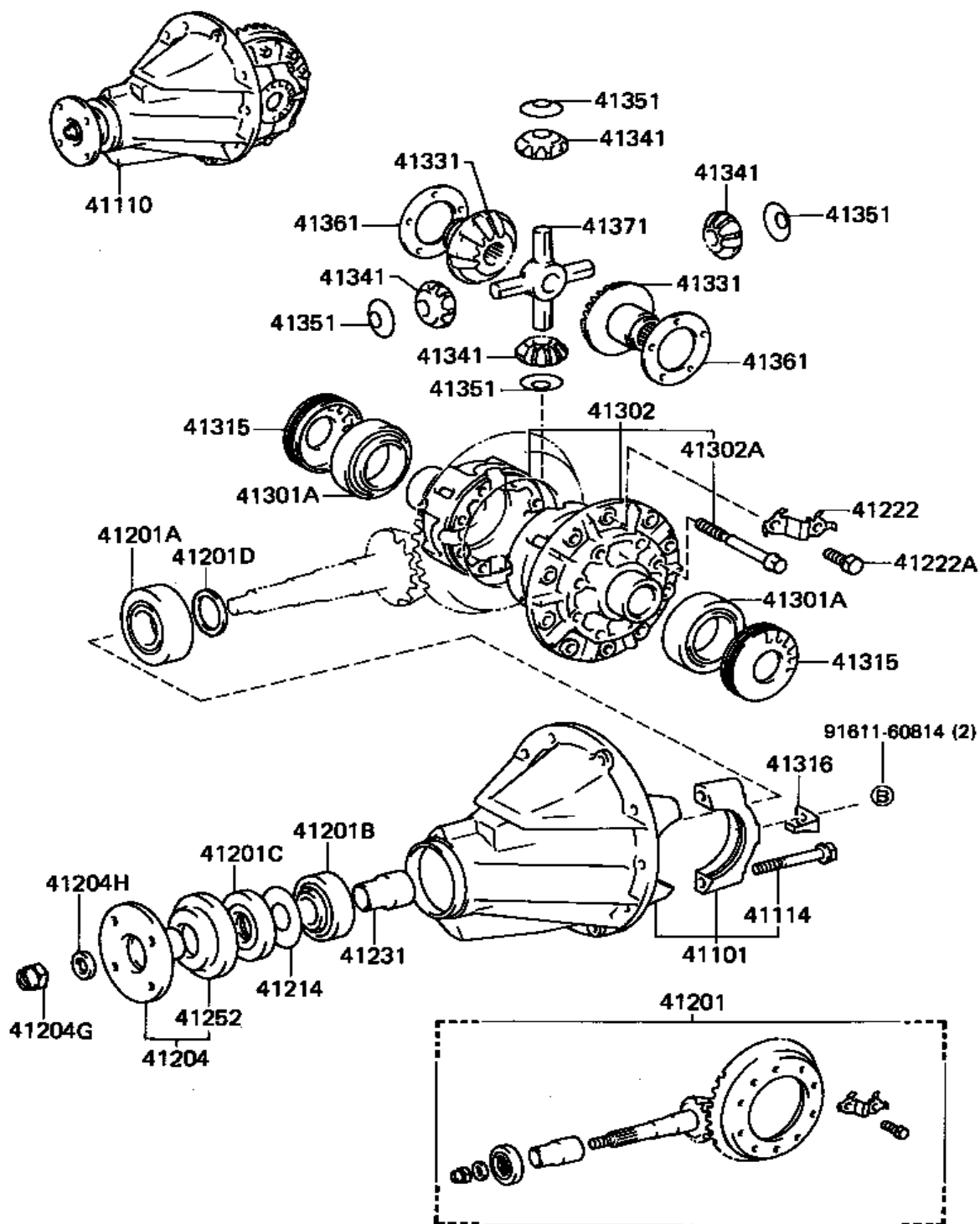
※41991



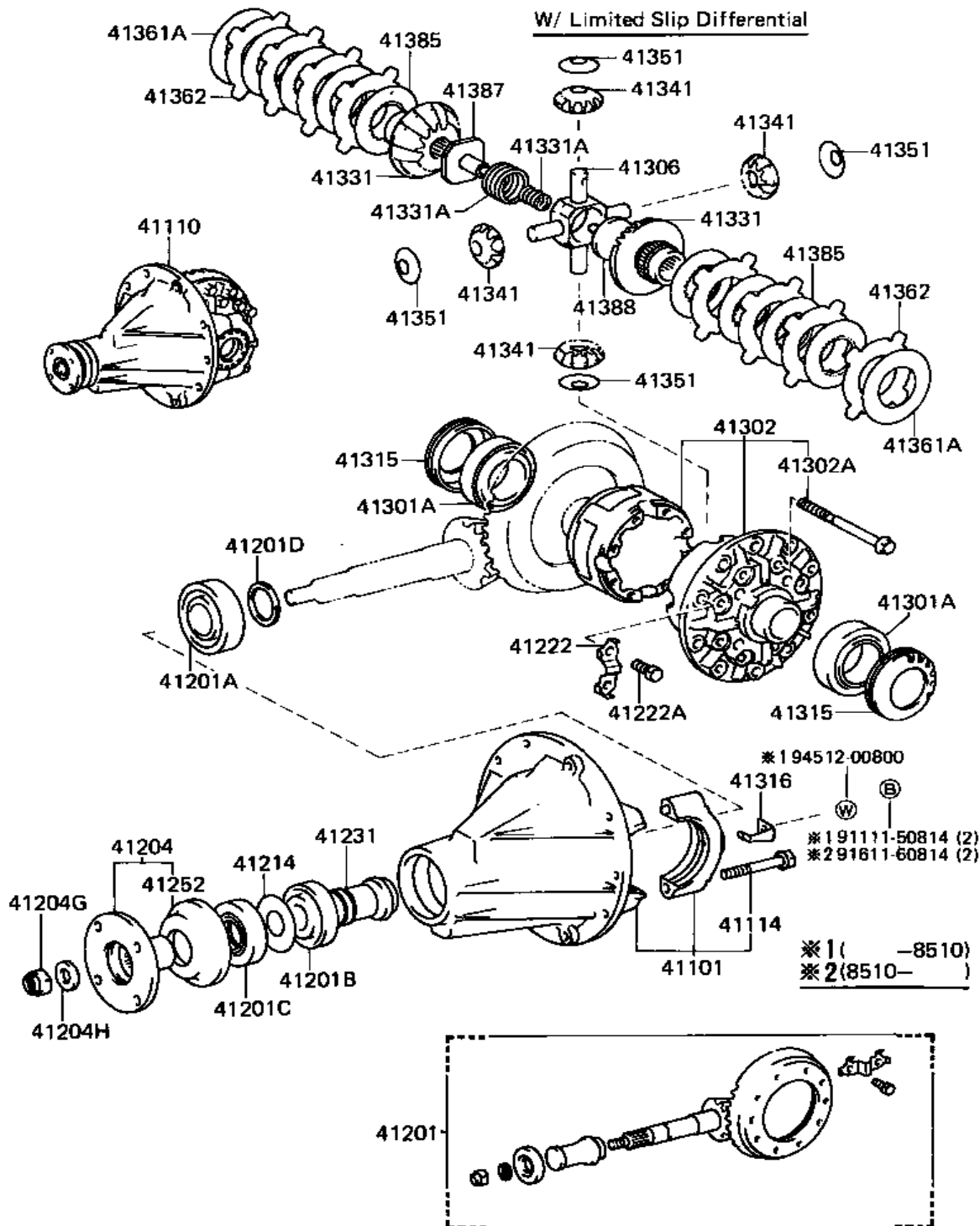
※1 (-8806)
※2 (8806-)

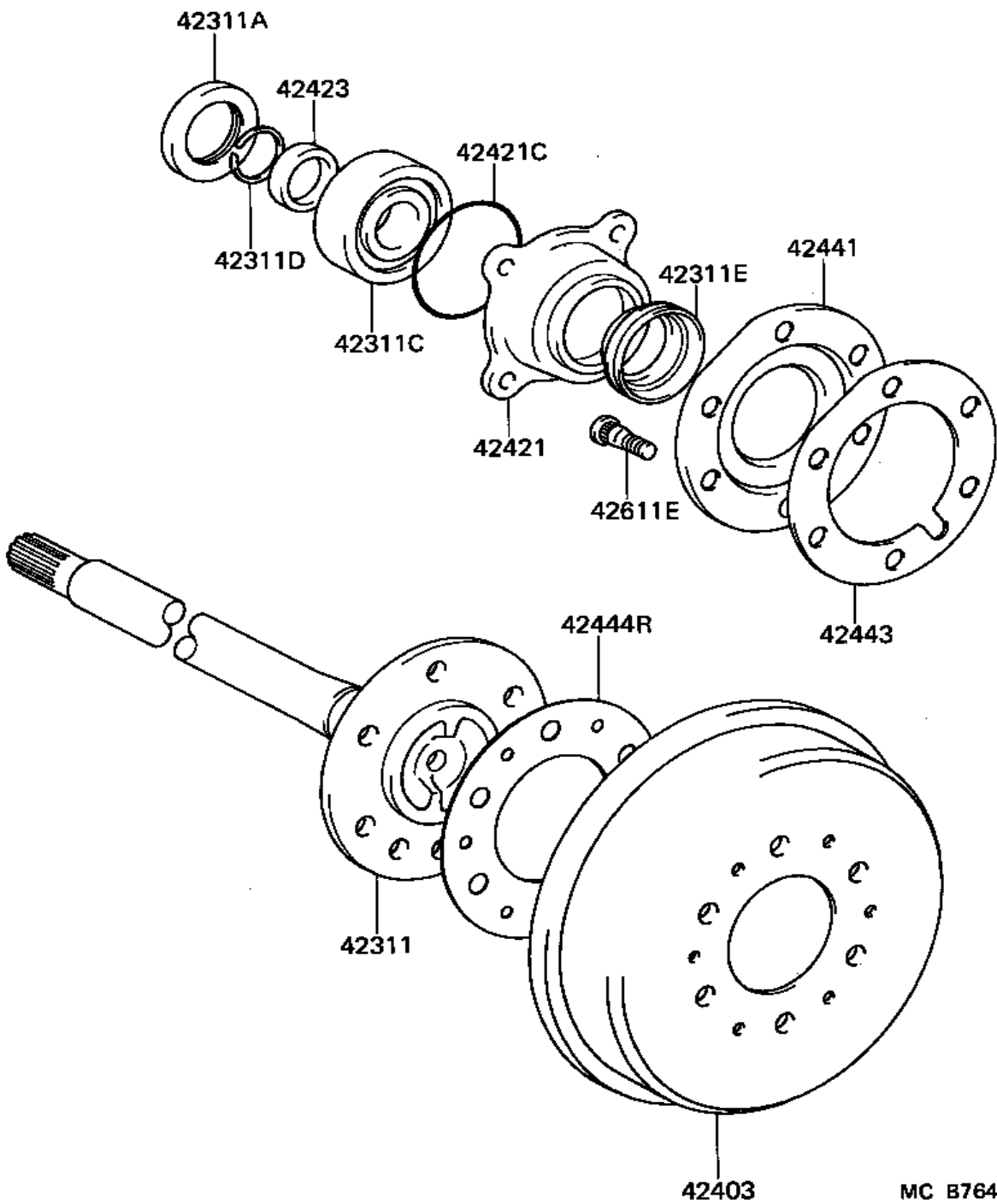


MC B767-F



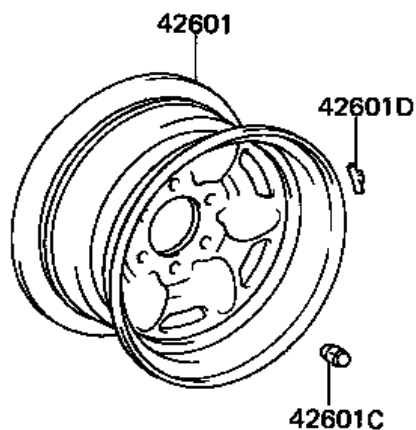
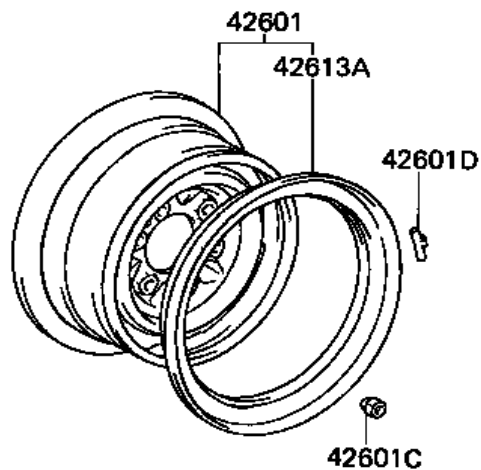
W/ Limited Slip Differential





5.50F-16

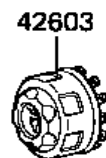
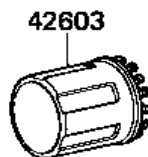
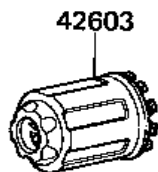
6JJ-16, 7JJ-16



FR, RR (Full Floating Axle)

FR (W/ Free Wheel Hub)

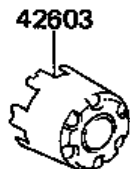
RR (Semi Floating Axle)



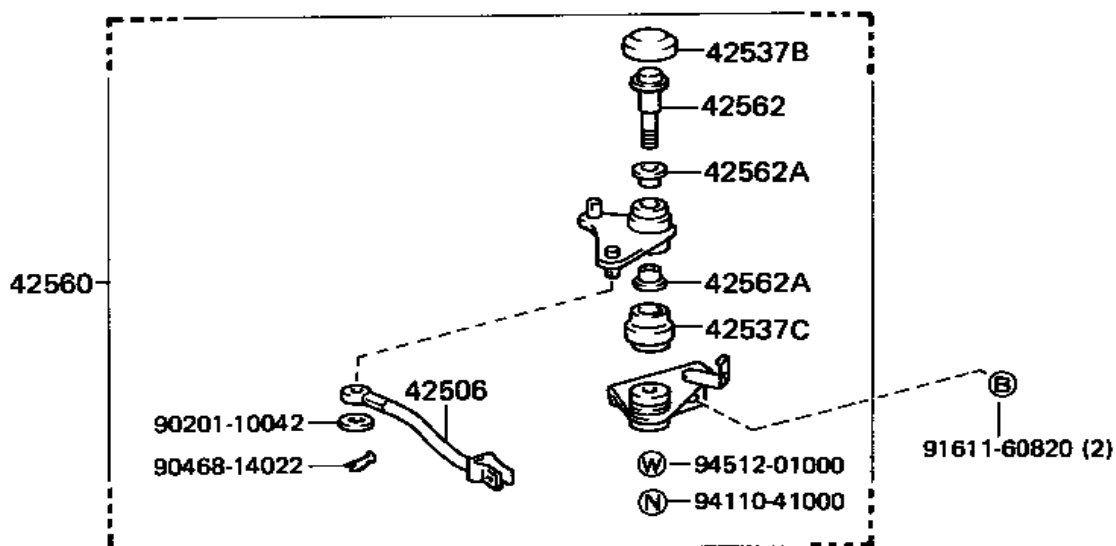
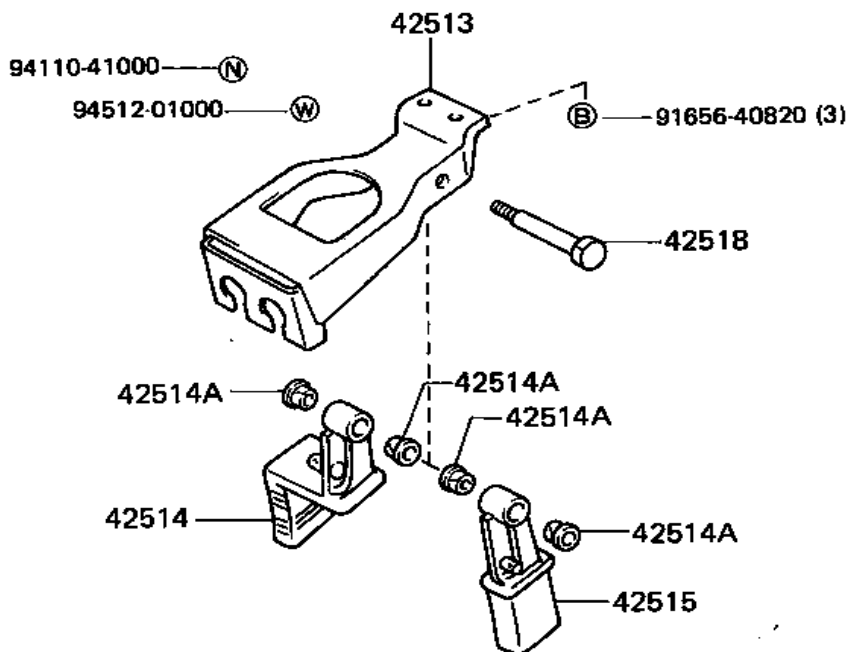
ALUMINUM WHEEL
FR, RR (Full Floating Axle)

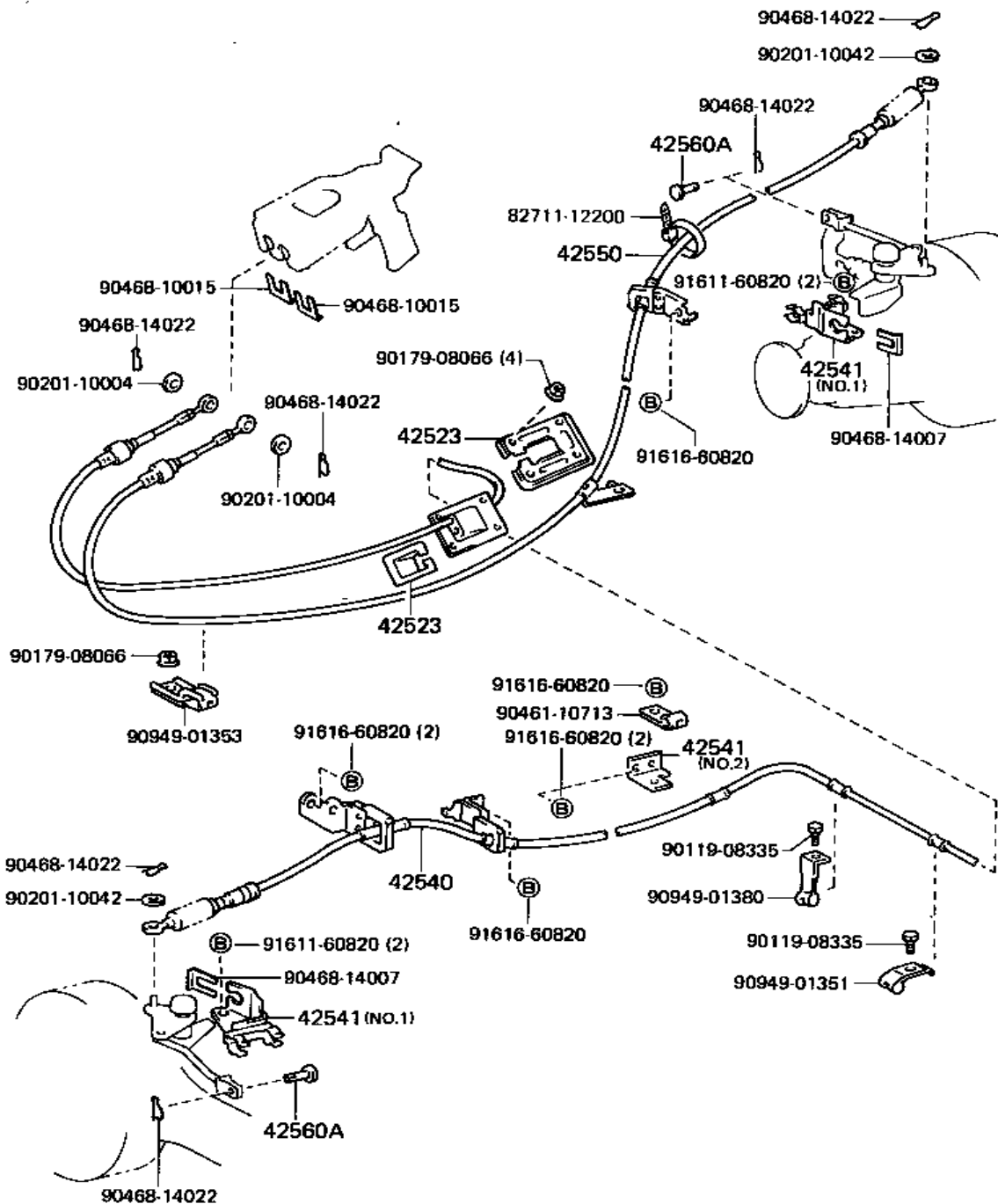
ALUMINUM WHEEL
FR (W/ Free Wheel Hub)

ALUMINUM WHEEL
RR (Semi Floating Axle)



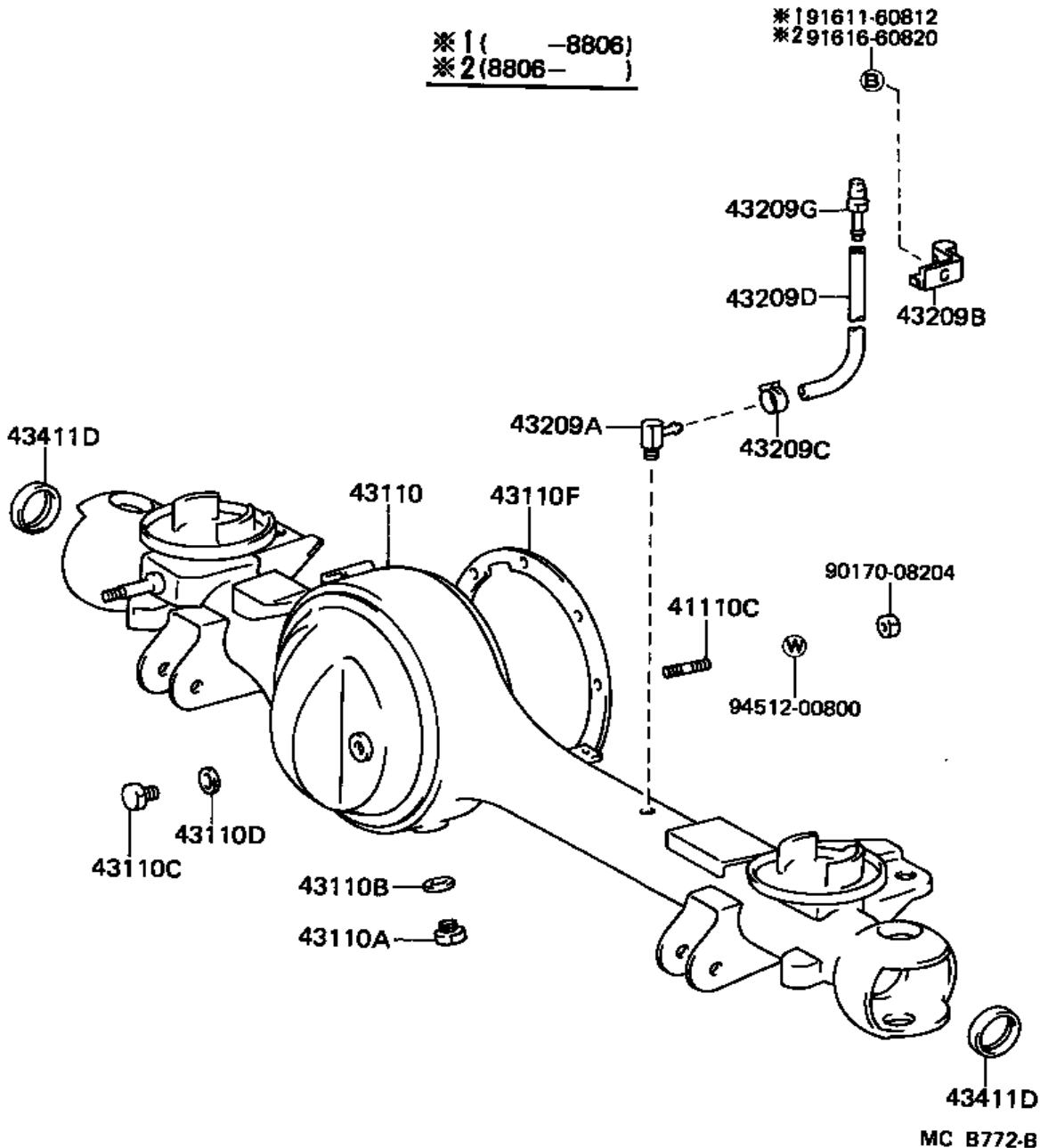
MC B769-B





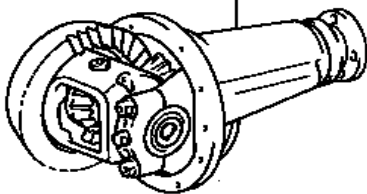
※1 (-8806)
※2 (8806 -)

※191611-60812
※291616-60820



MC B772-B

41110F



41101A

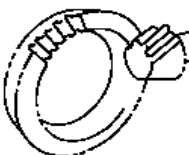
41114B



B

41316A

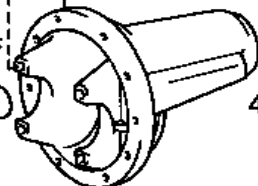
91611-40814



41211C

41231F

41211A



41214C

41204D

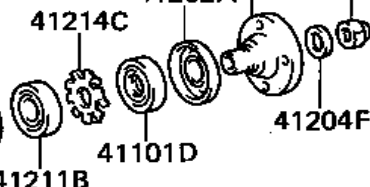
41252A

41204E

41211B

41101D

41204F



41315A

41311A

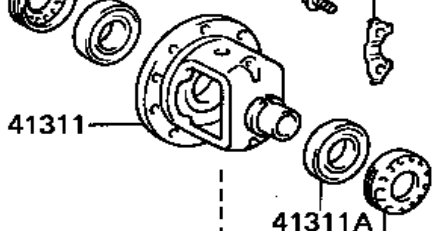
41222B

41222F

41311

41311A

41315A



41361F

41331F

41351F

41341F

41342F

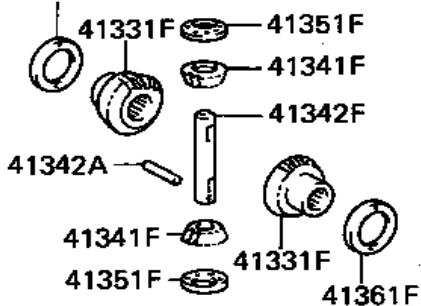
41342A

41341F

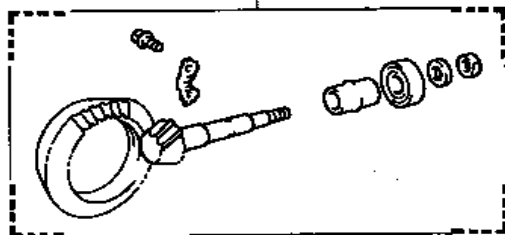
41331F

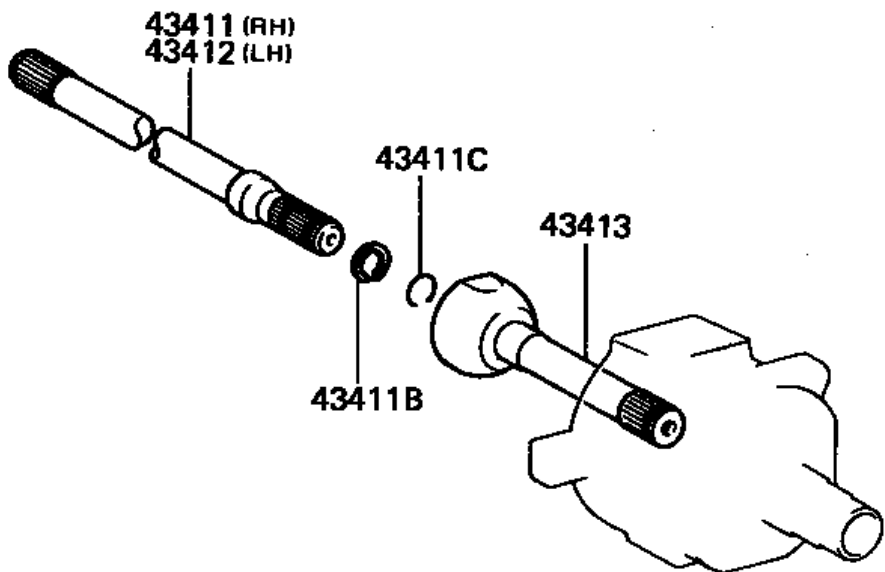
41351F

41361F



41201S



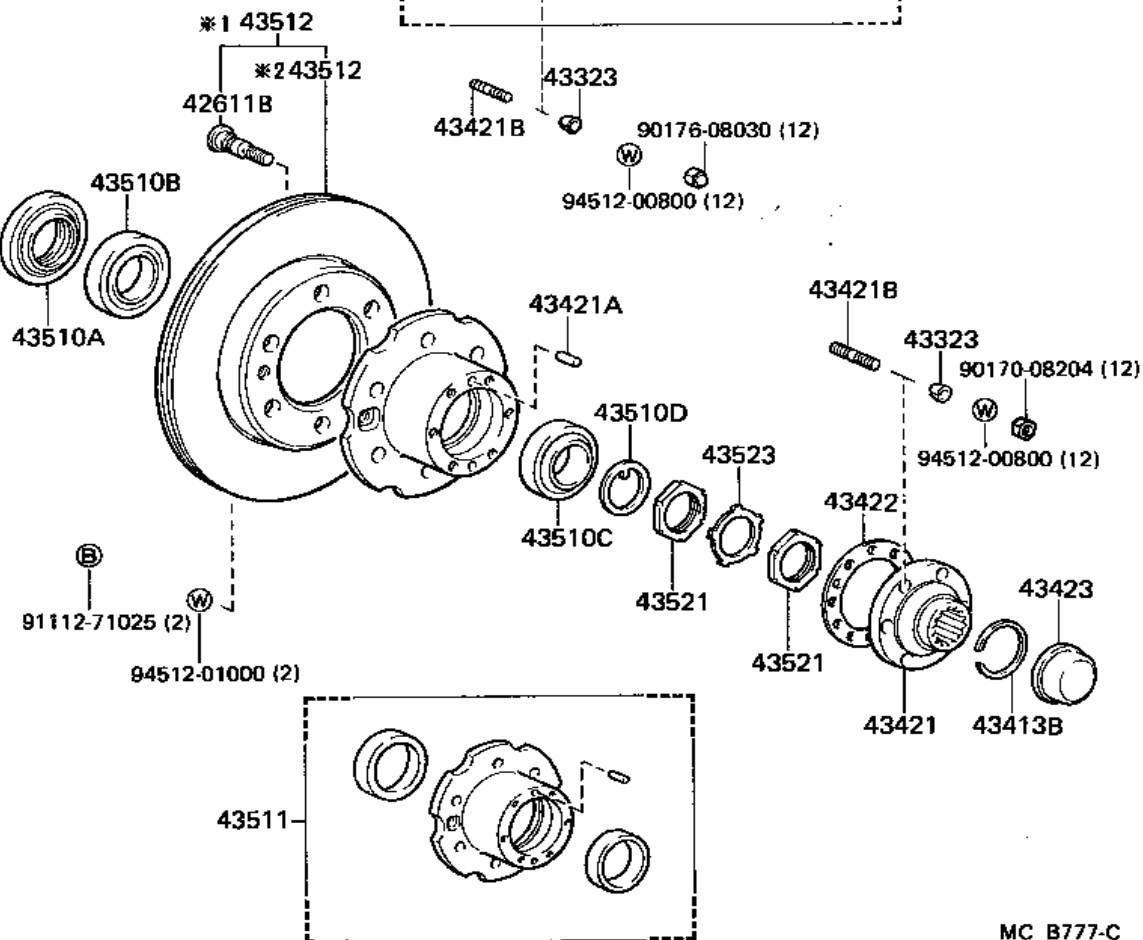


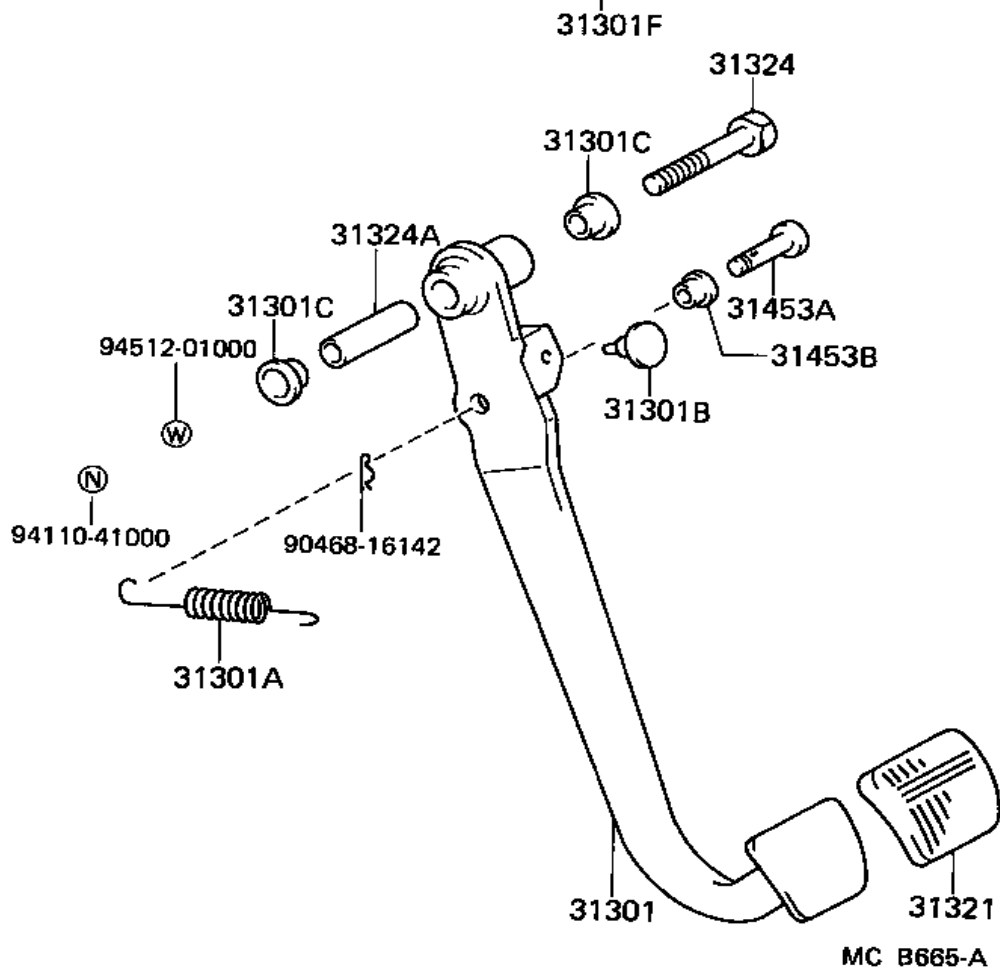
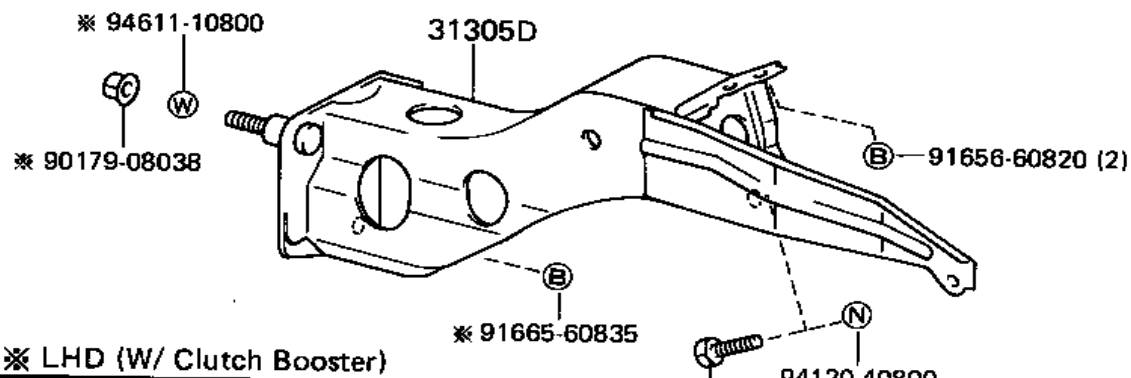
MC B775

Disc Brake

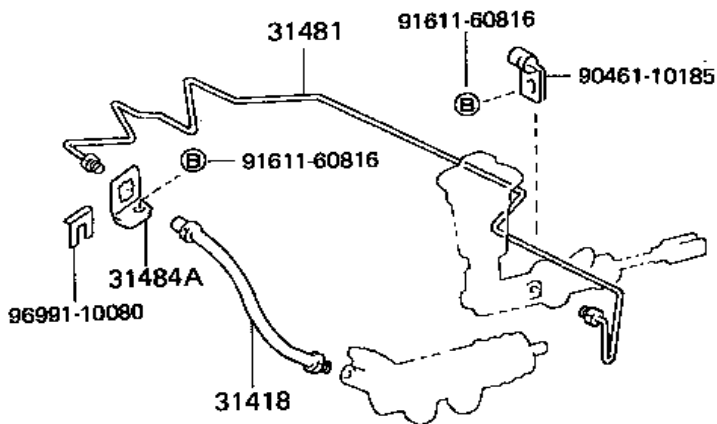
Free Wheel Hub

- *1 (-8608) BJ7#
- *2 (-8608) RJ7#, LJ7#
- { 8608- }

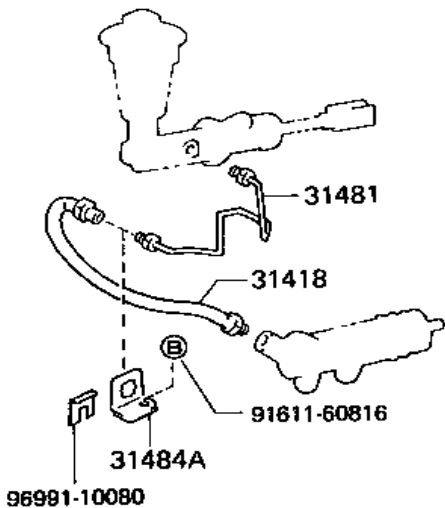




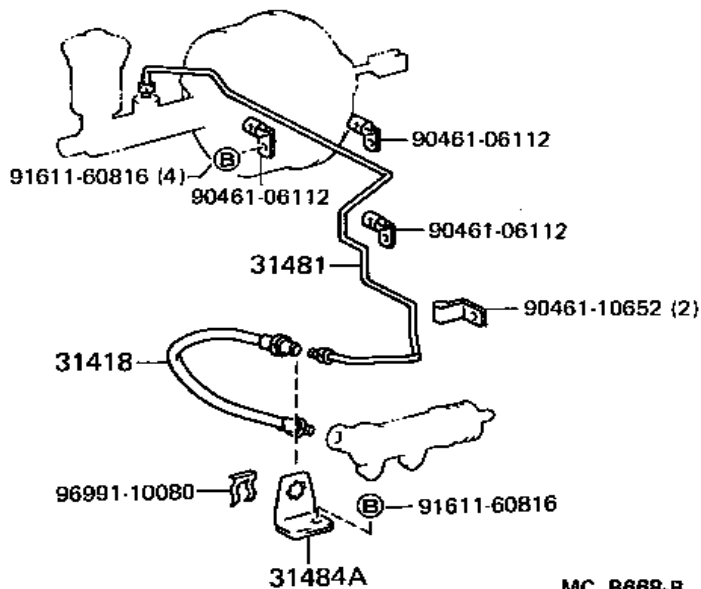
RJ7#

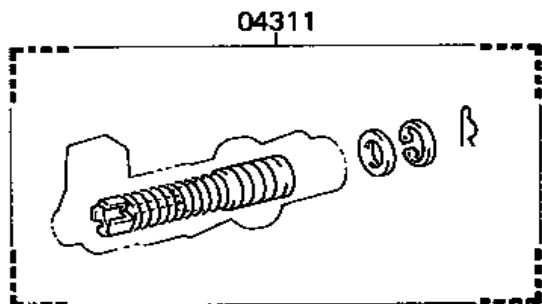
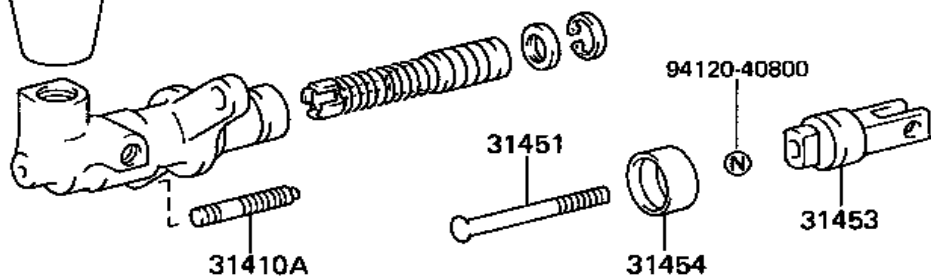
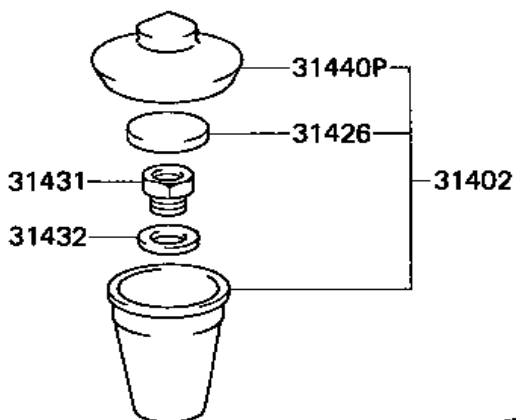
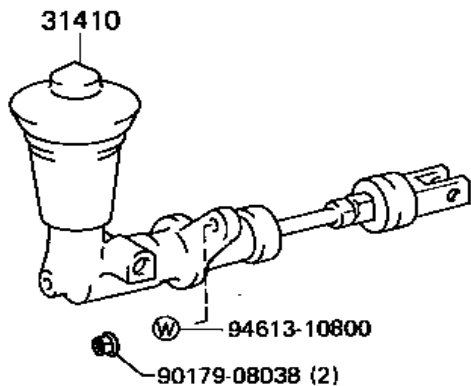


LJ7# . . LHD

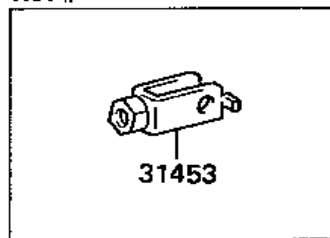


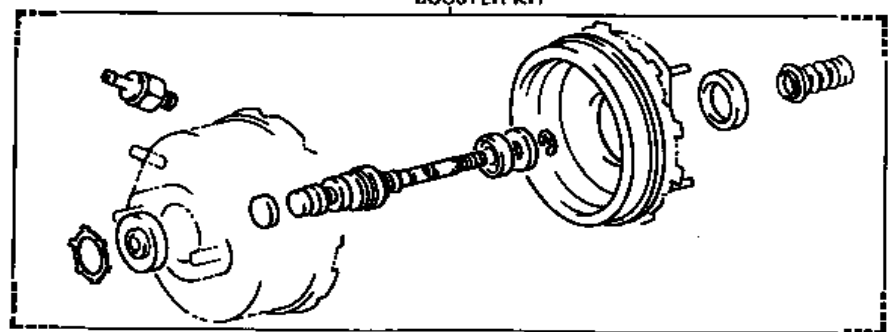
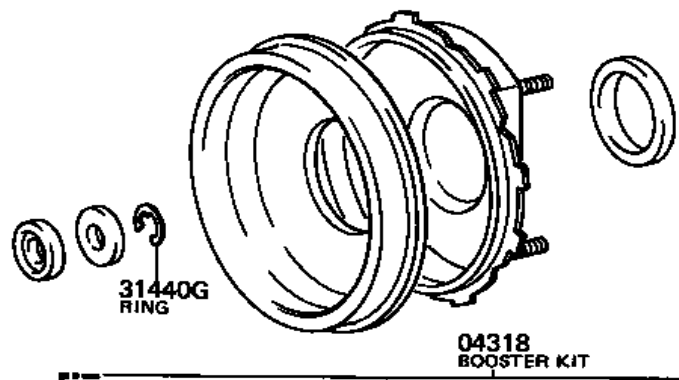
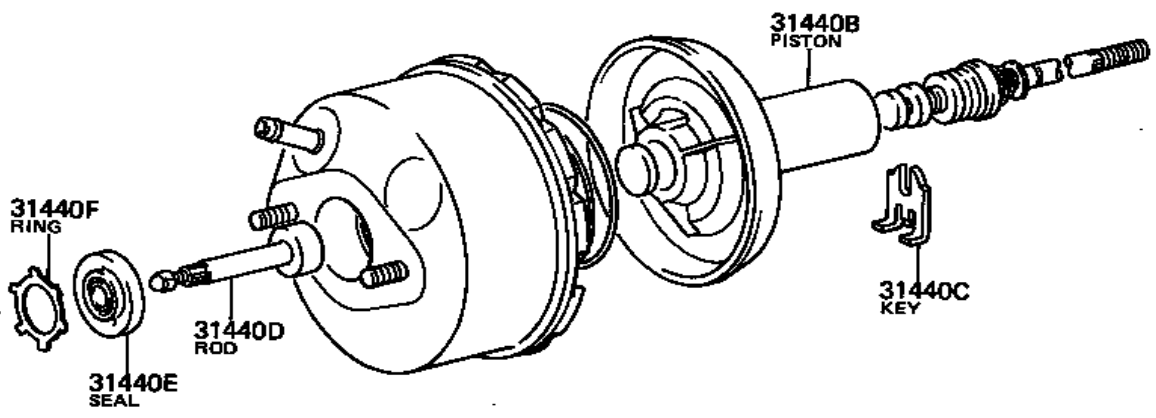
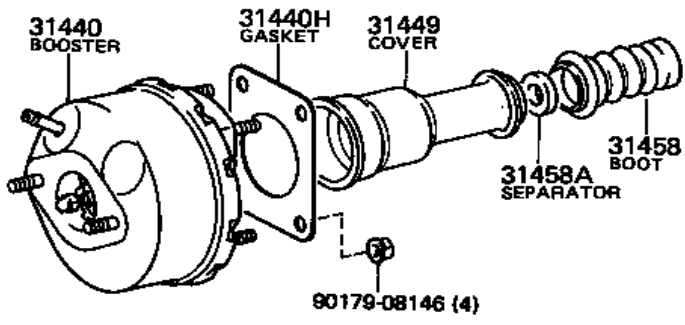
LJ70 . . LHD

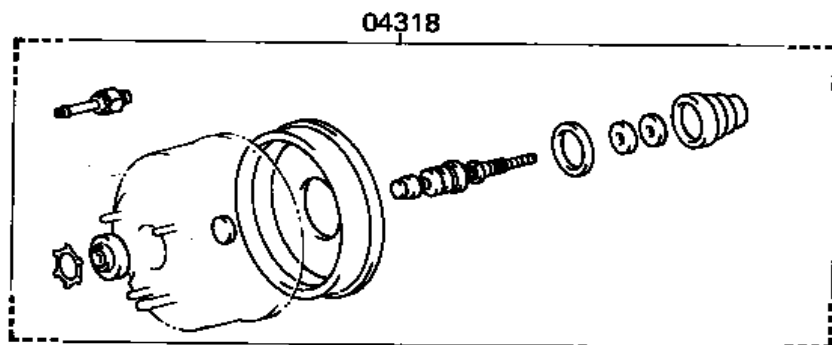
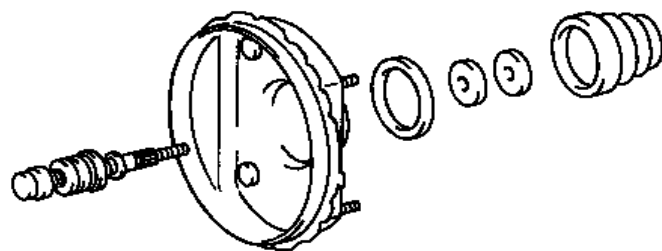
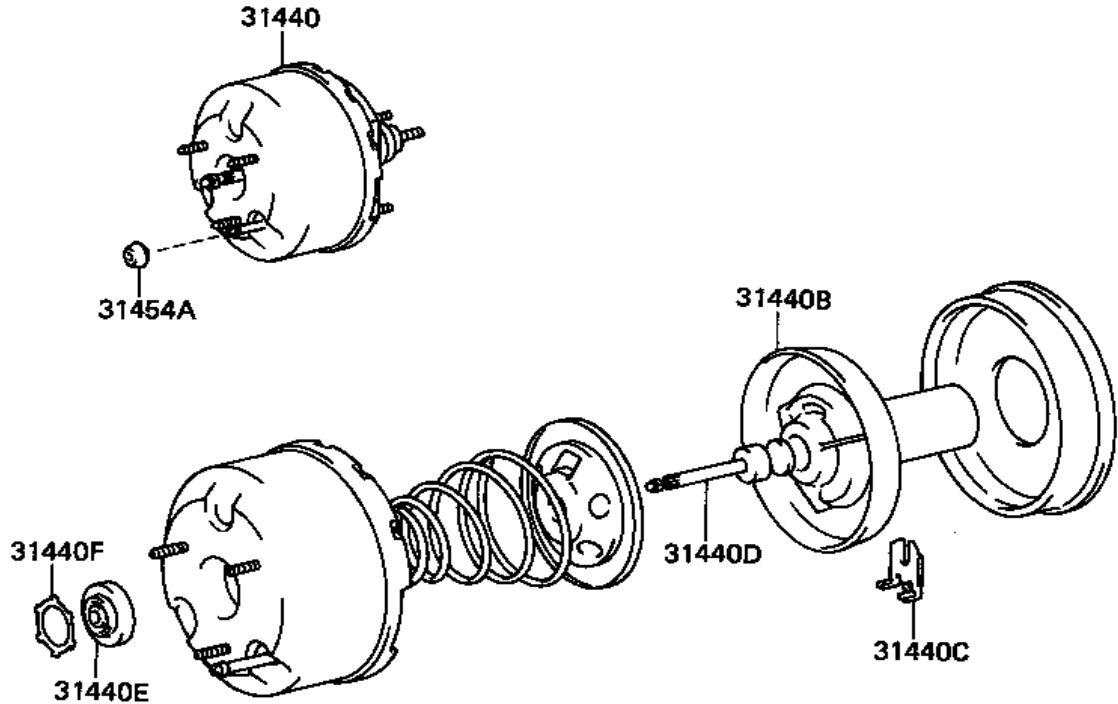




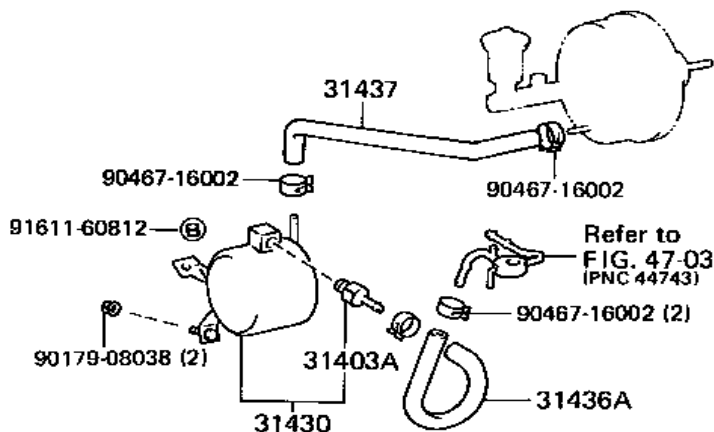
RJ7#



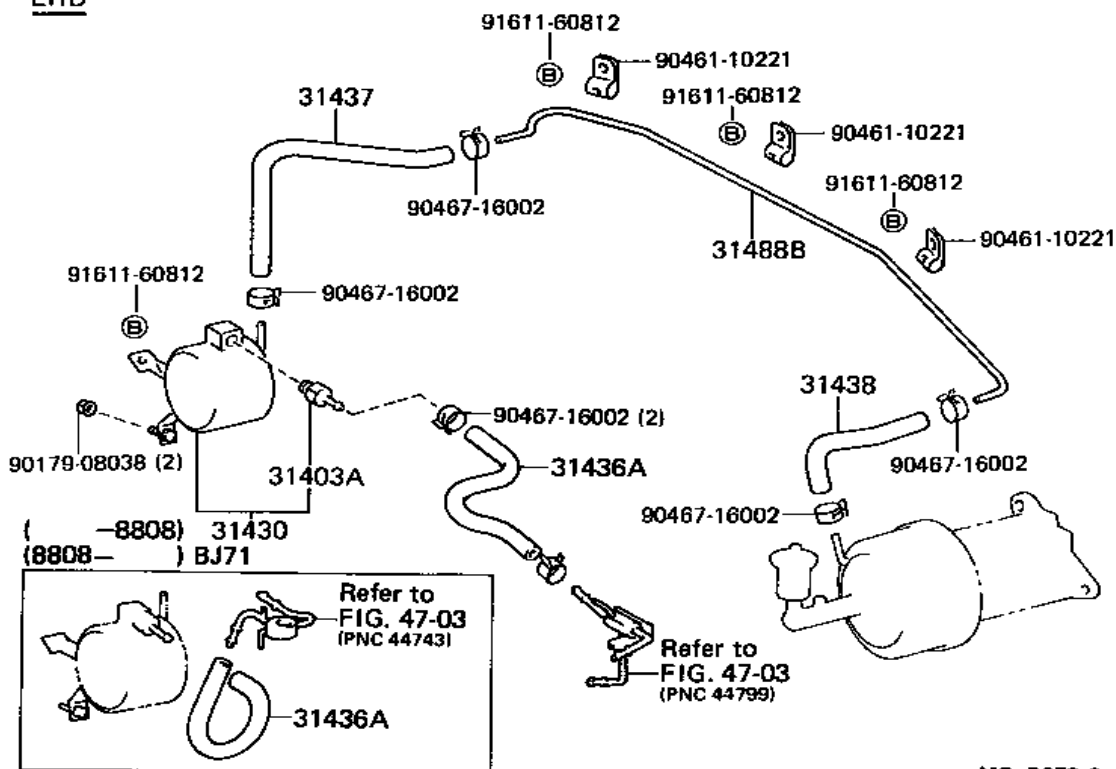




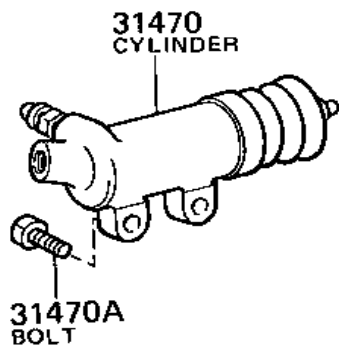
RHD



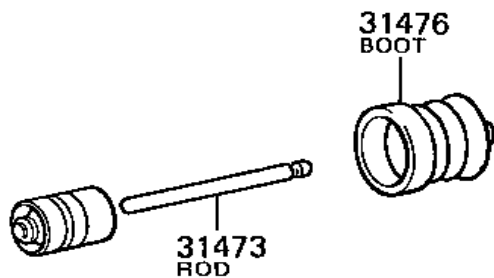
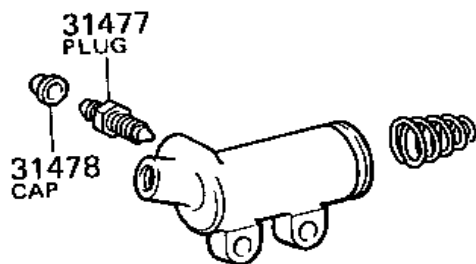
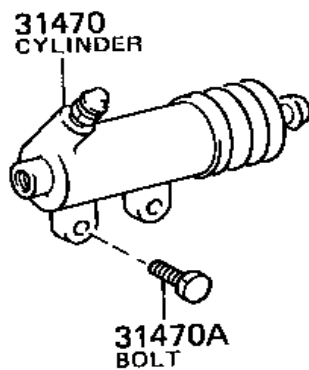
LHD



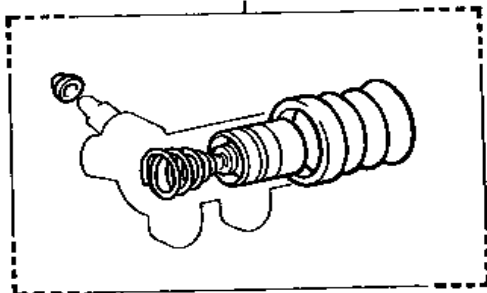
RJ7#



LJ7#

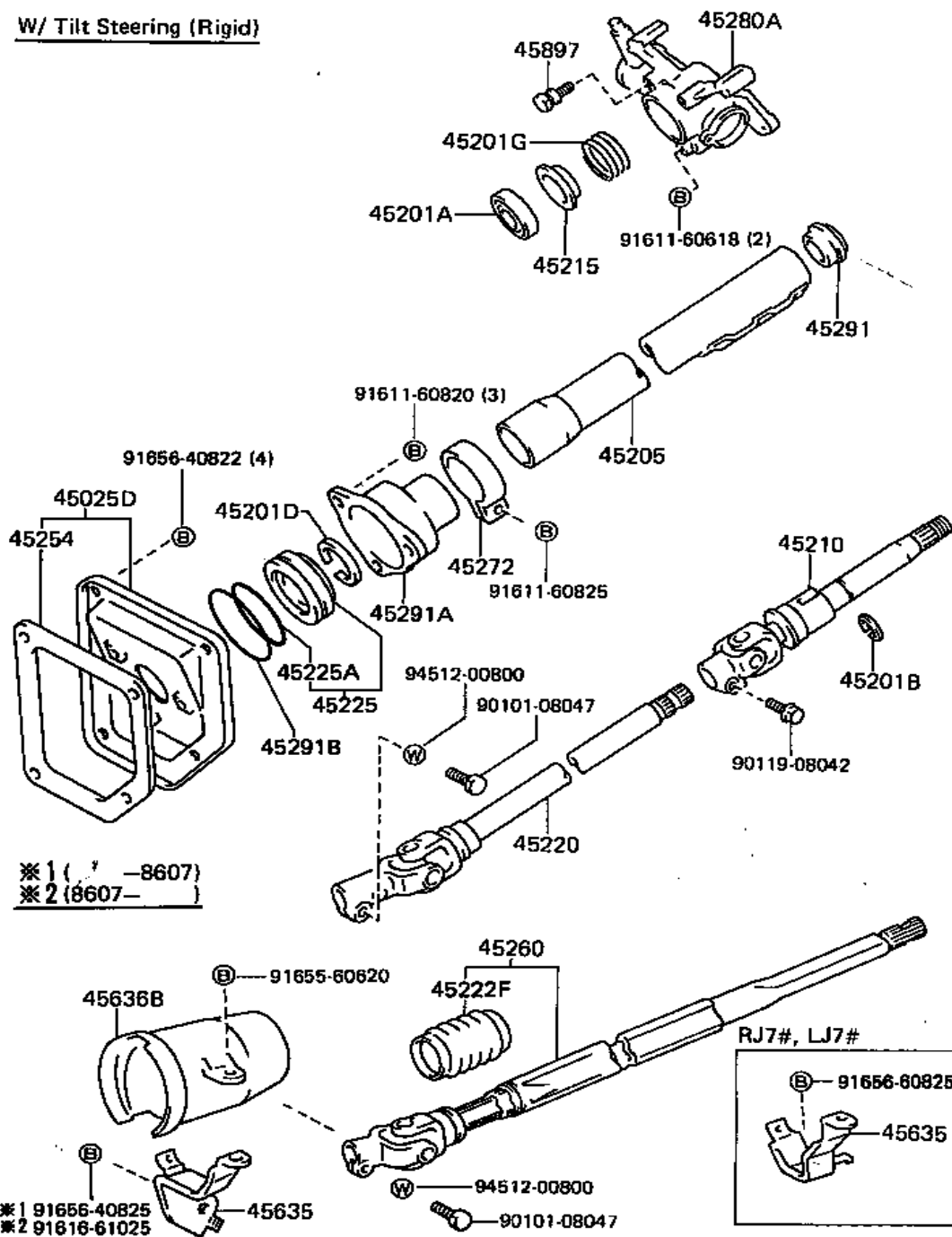


04313
CYLINDER KIT



MC C957-A

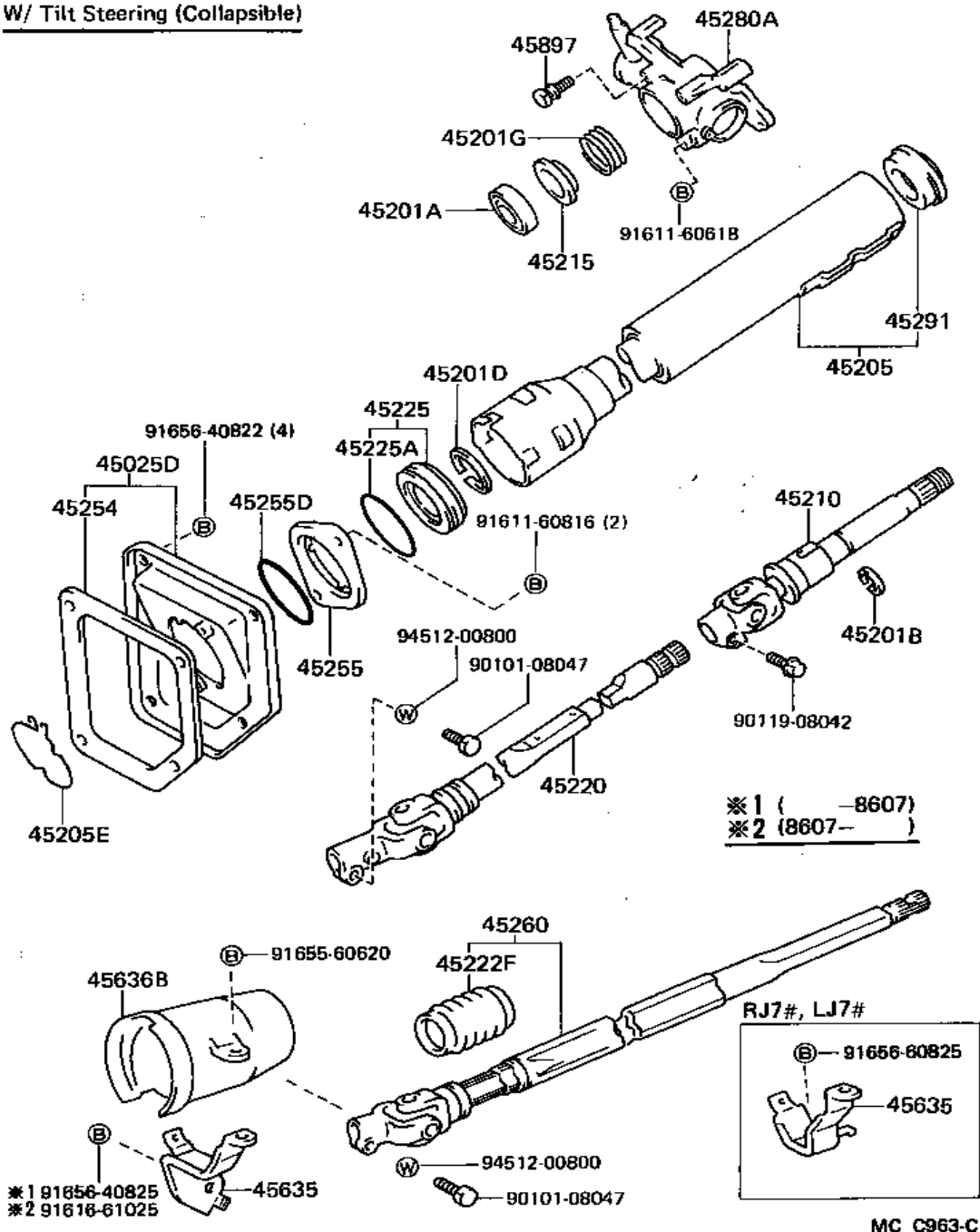
W/ Tilt Steering (Rigid)



※1 (-8607)
※2 (8607-)

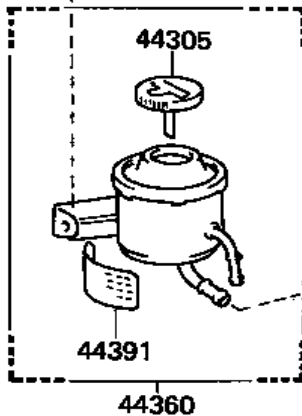
※1 91656-40825
※2 91616-61025

W/ Tilt Steering (Collapsible)



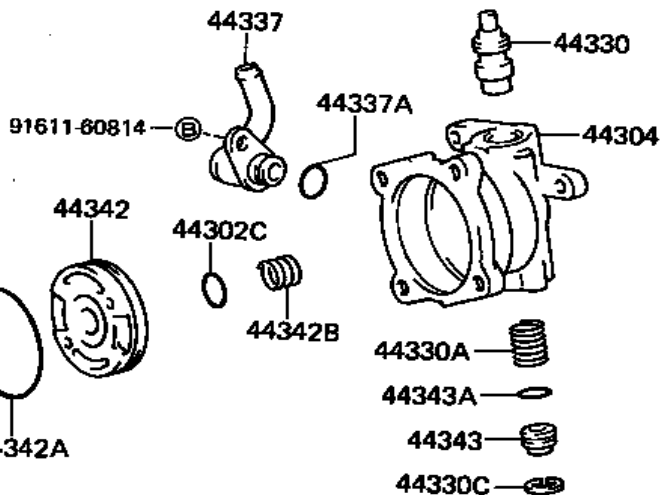
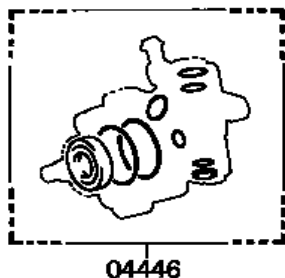
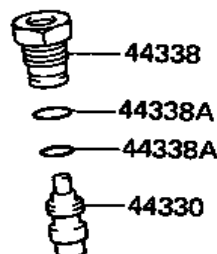
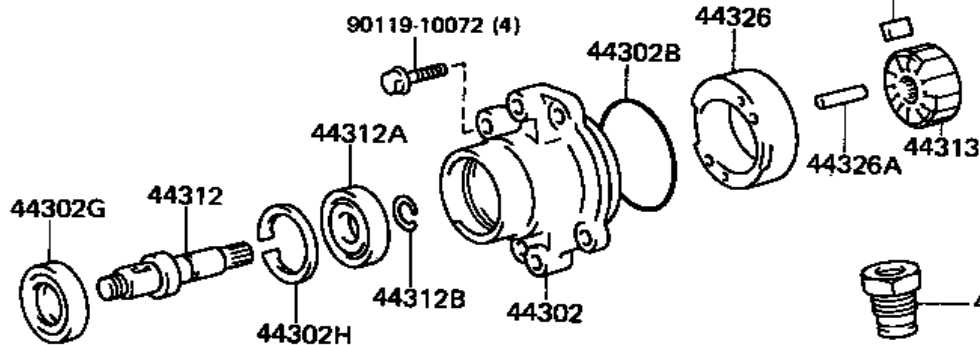
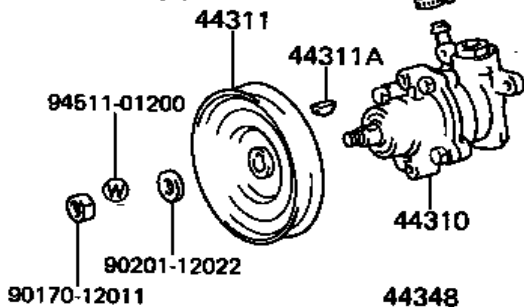
MC C963-C

91656-40820 (3)

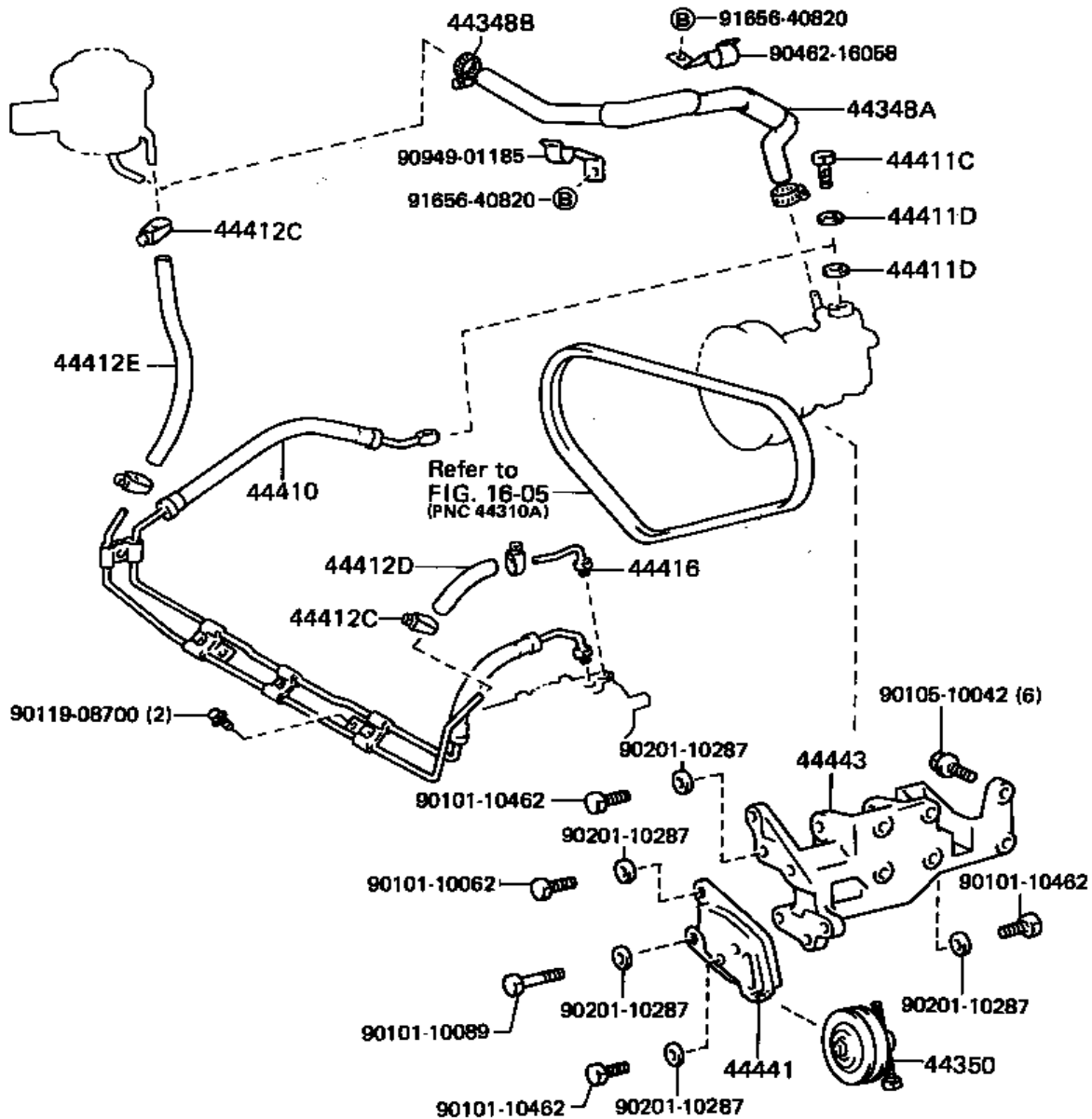


Refer to
FIG. 45-03
(PNC 44348A)

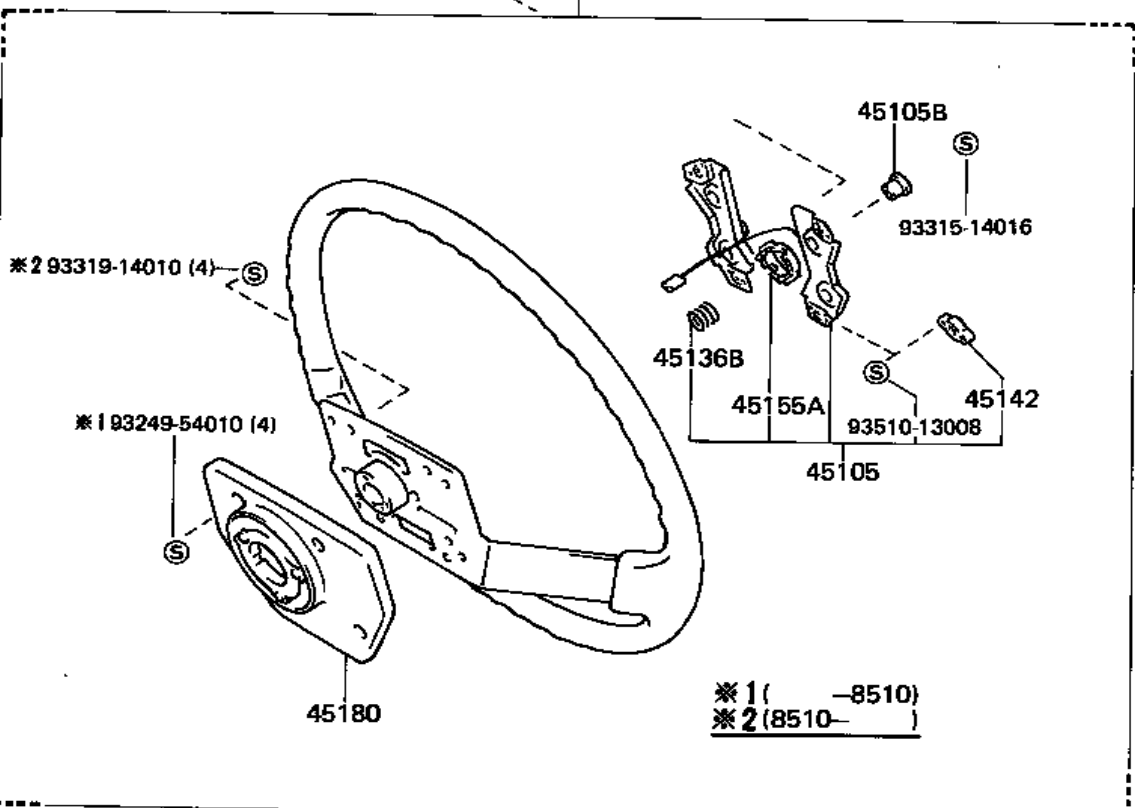
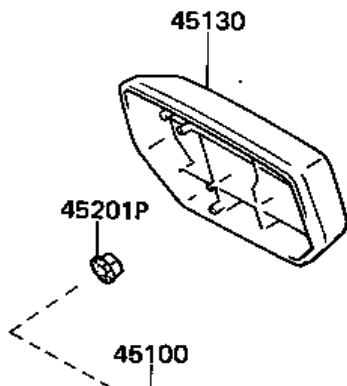
Refer to
FIG. 45-03
(PNC 44348B)

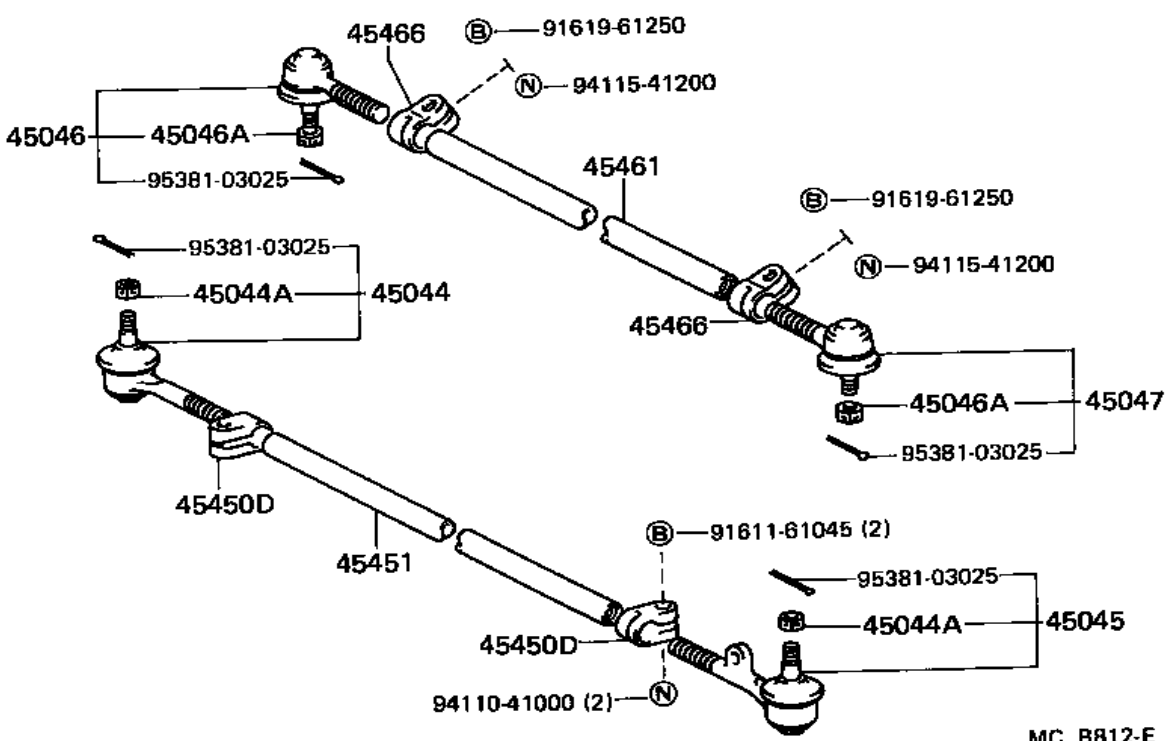
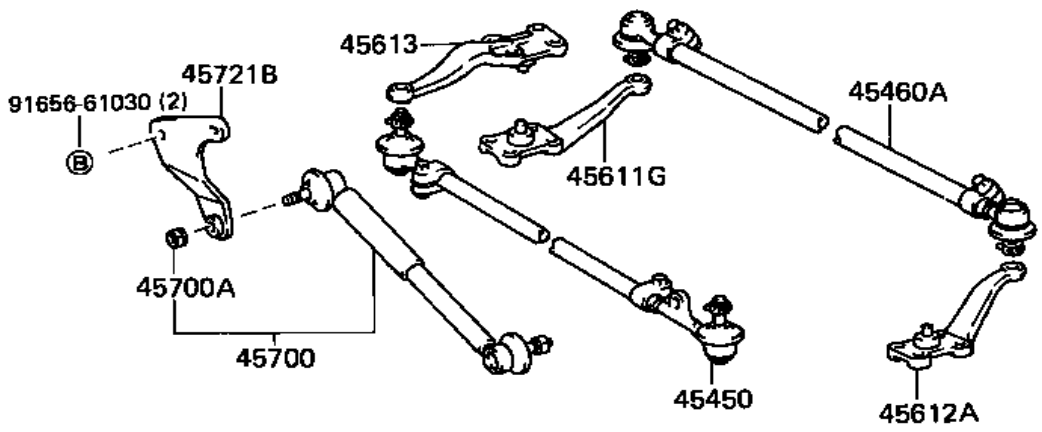


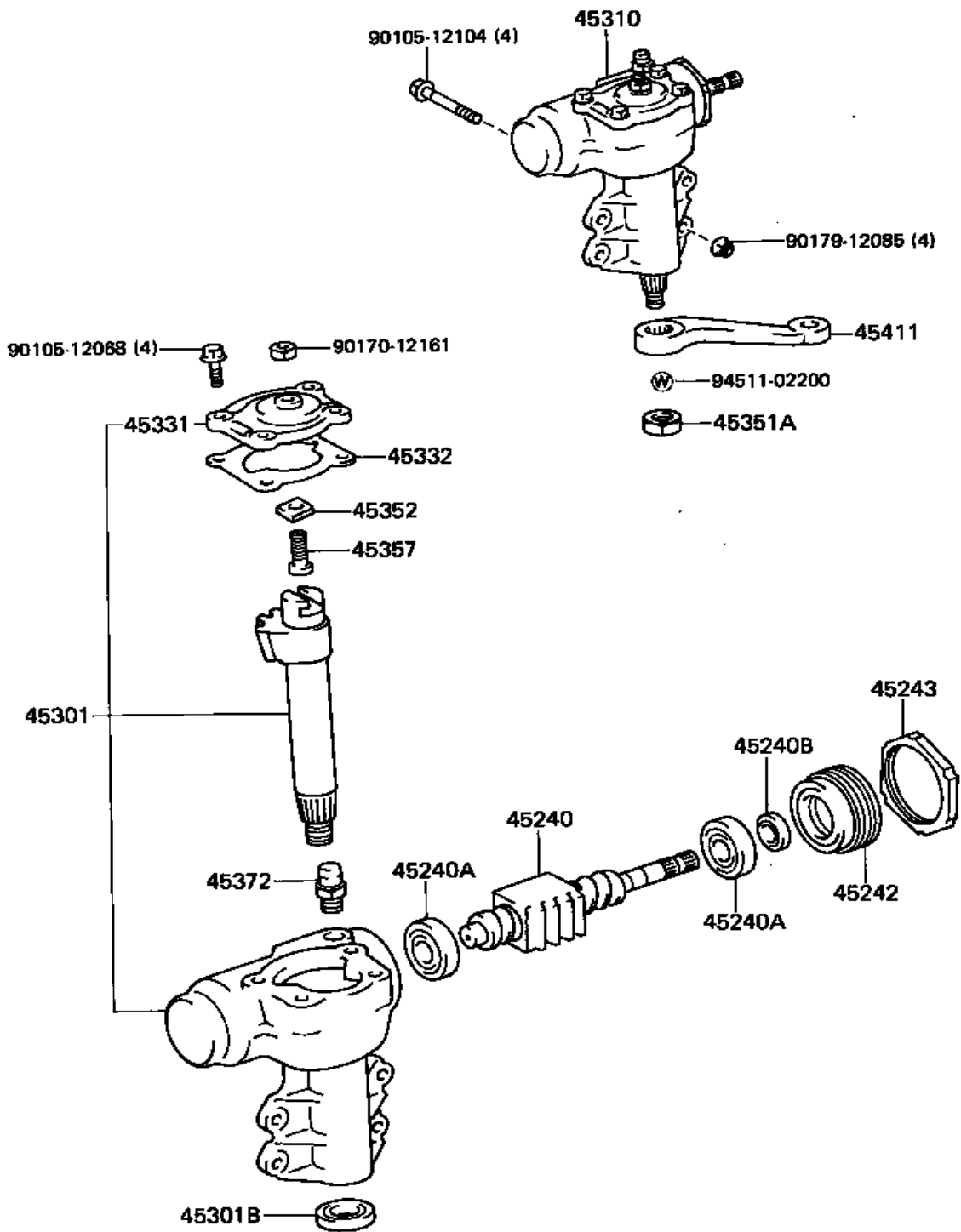
MC B794-B



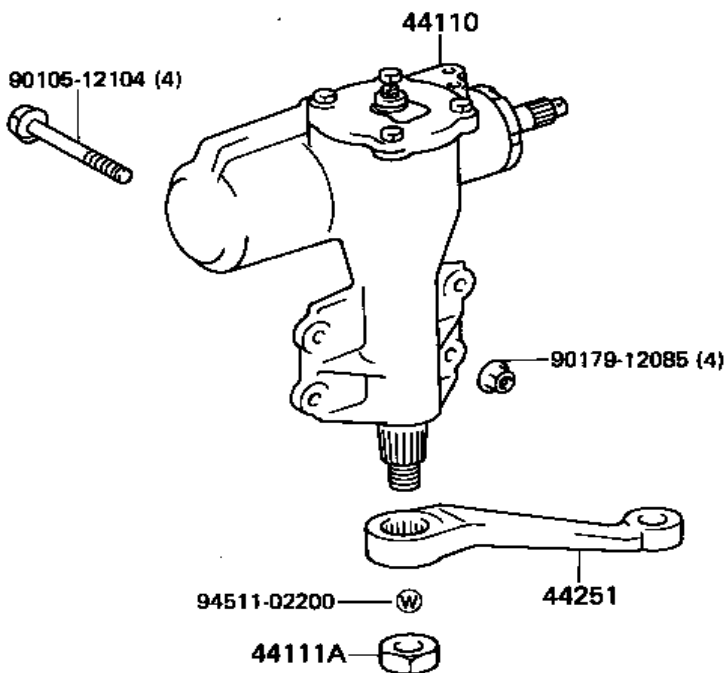
Urethane





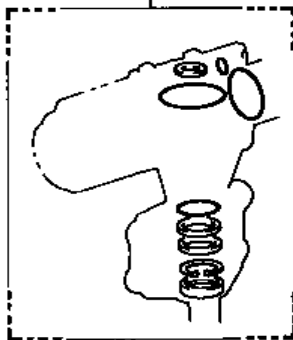
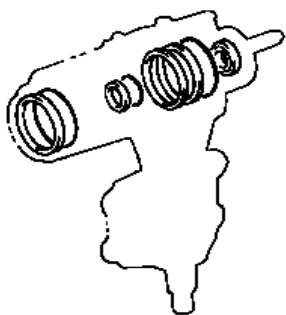


W/ Power Steering

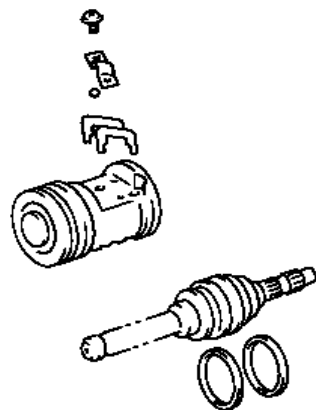


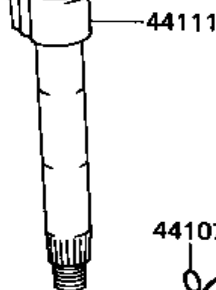
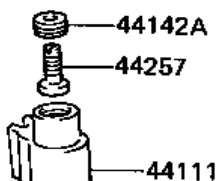
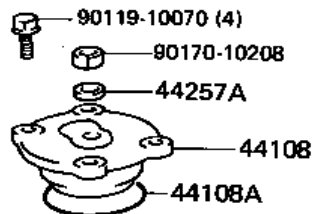
04445

04455A



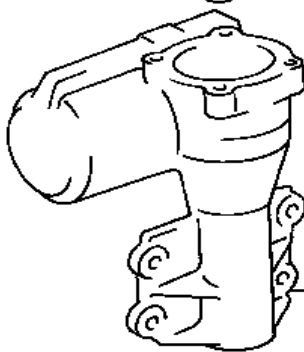
04044



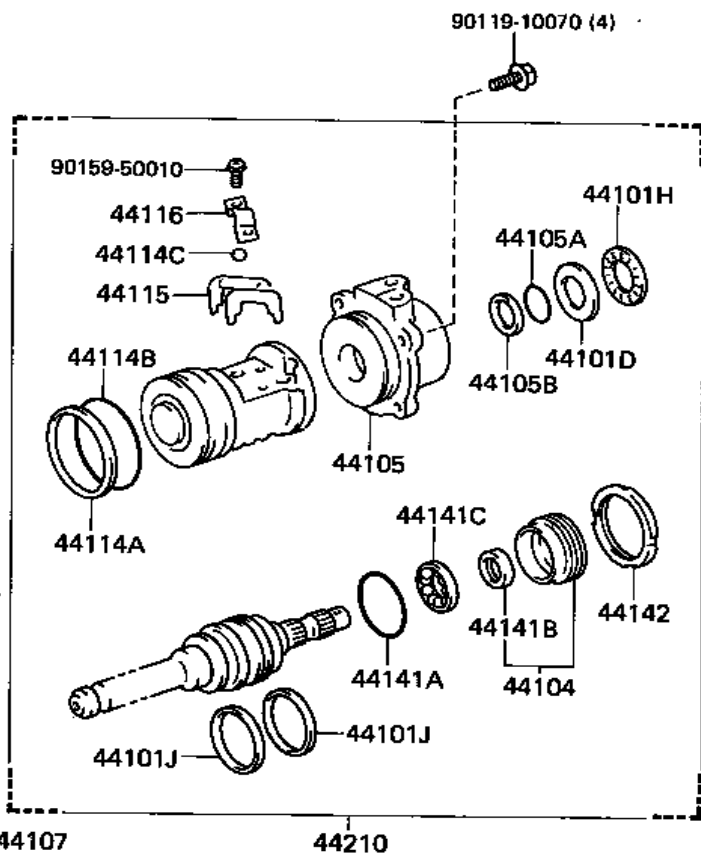
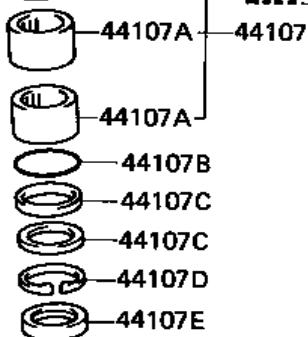


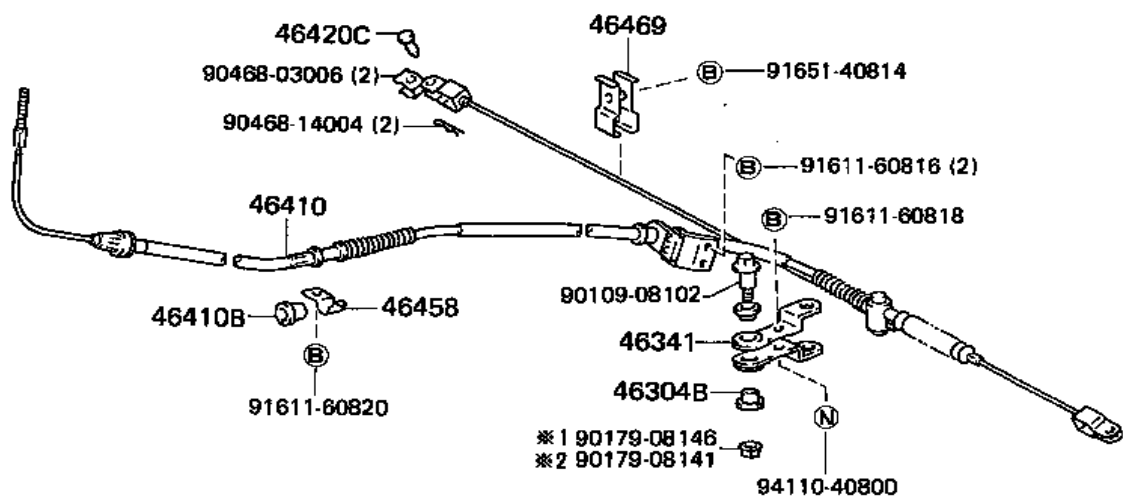
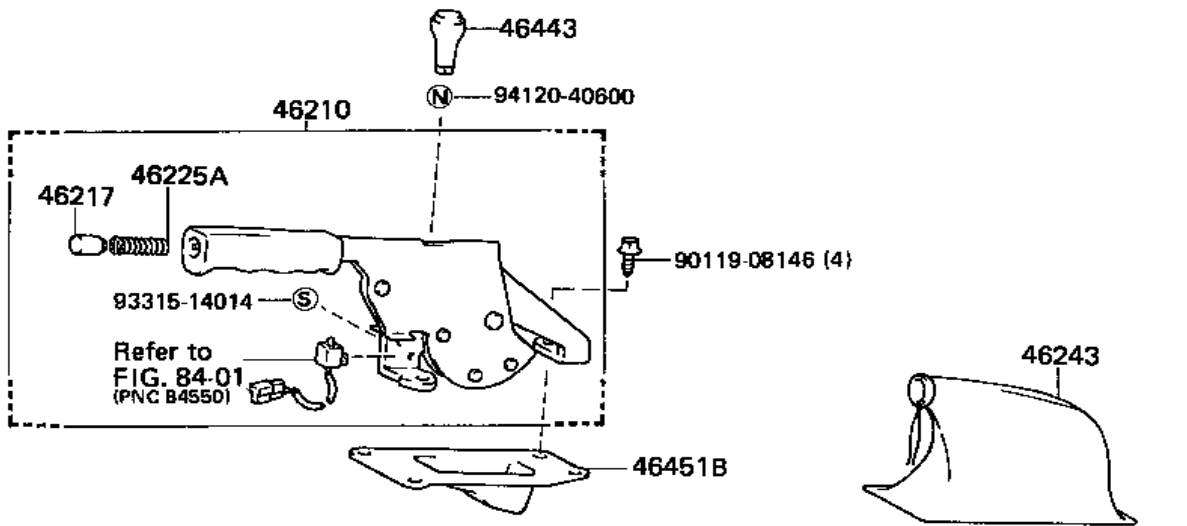
44107B

44107B

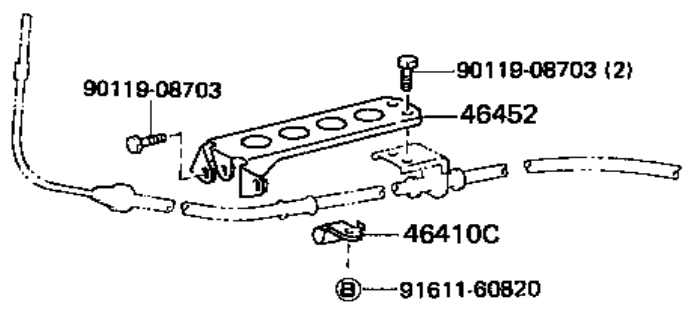


44107B





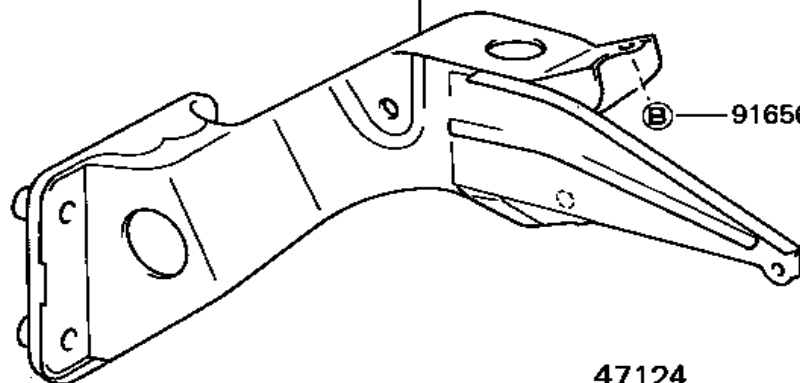
BJ75



*1 (-8912)

*2 (8912-)

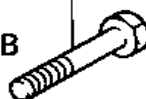
47105A



91656-60820

47124

47101B

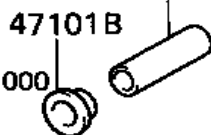


47124A

47101B

94512-01000

W



47264A

47131

N

90468-16142

94110-41000



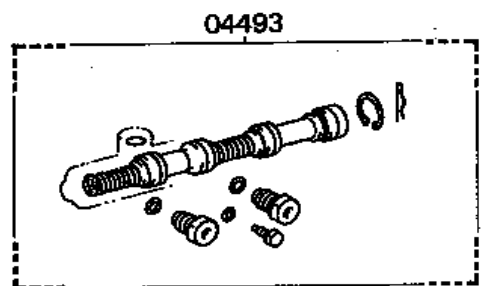
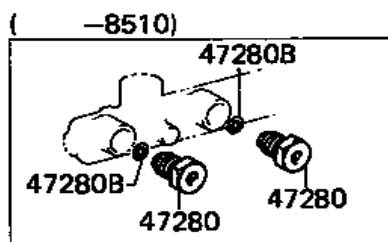
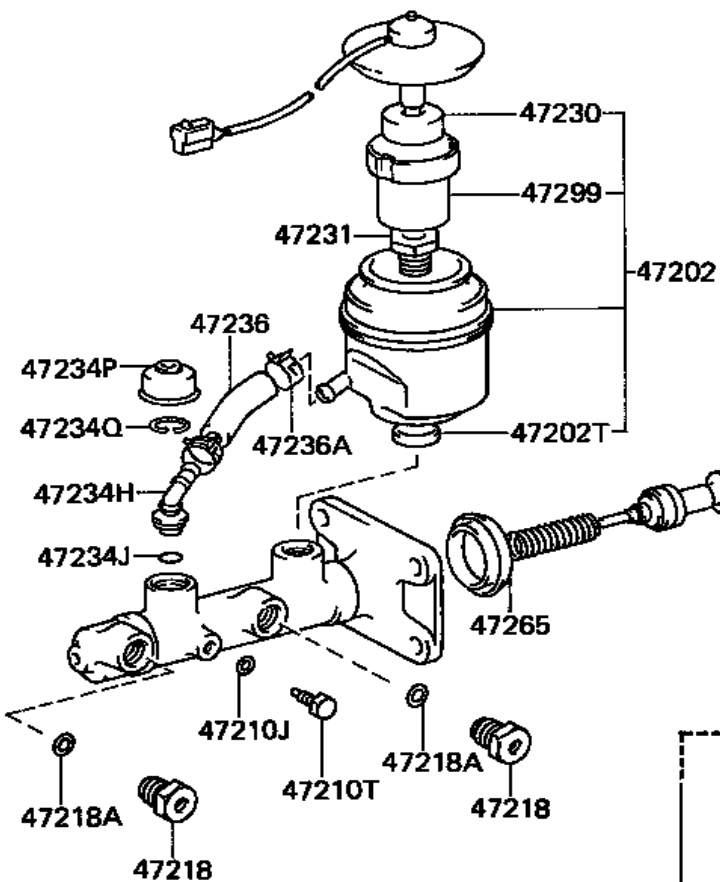
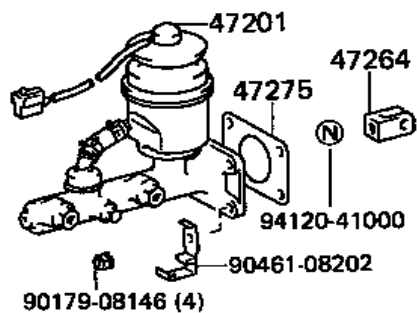
47101A

47101

47121

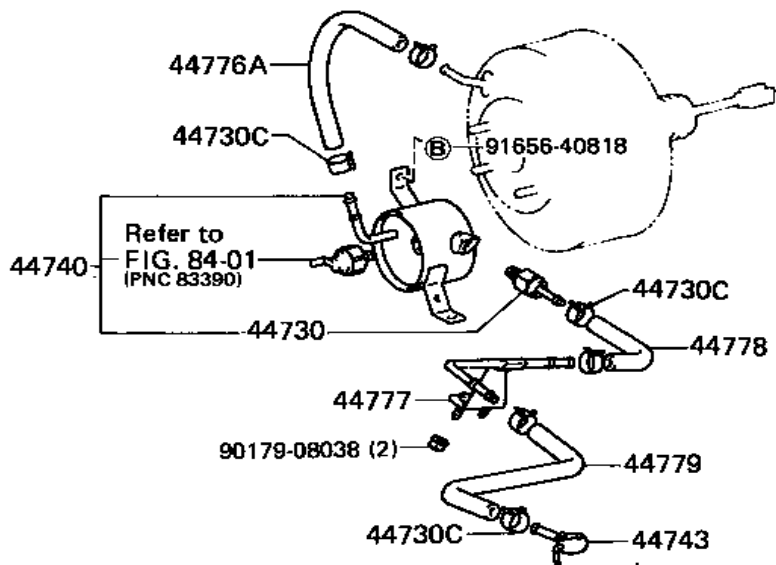


MC B816

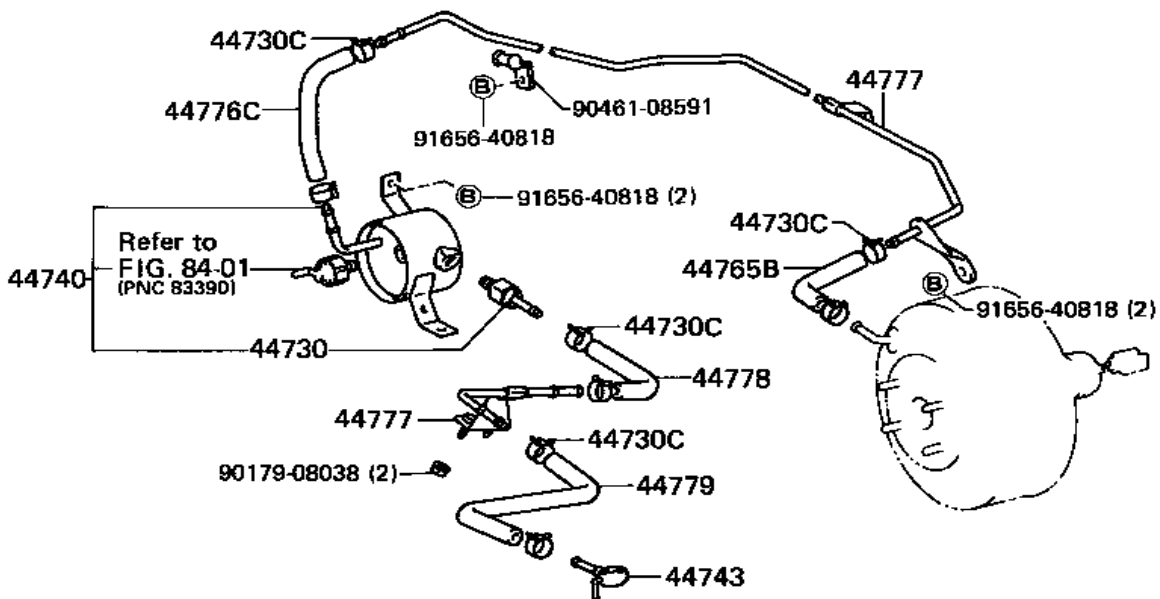


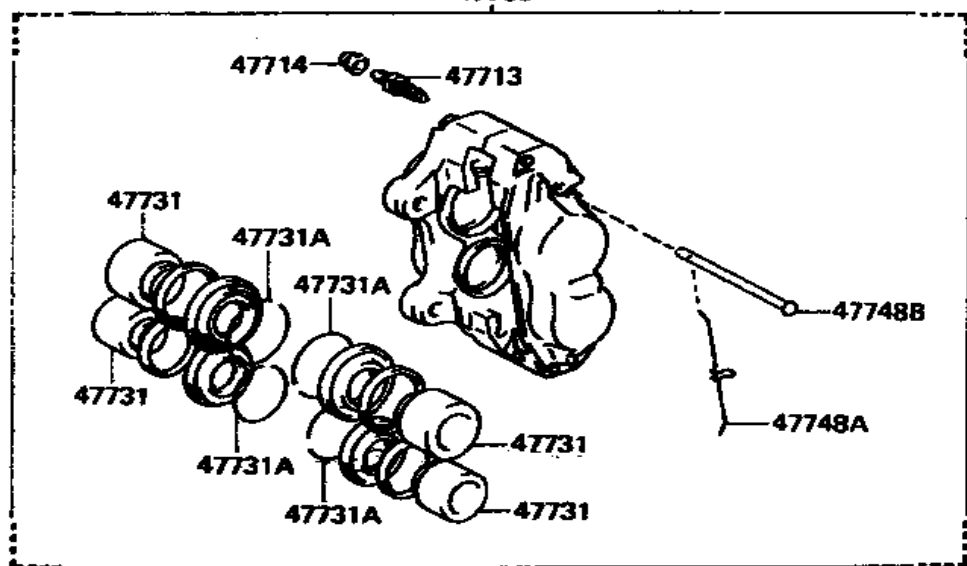
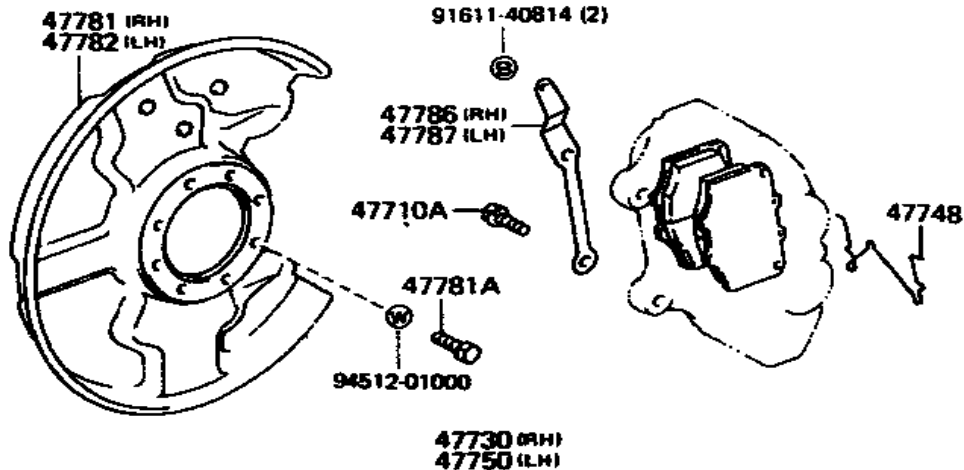
MC B817-B

RHD

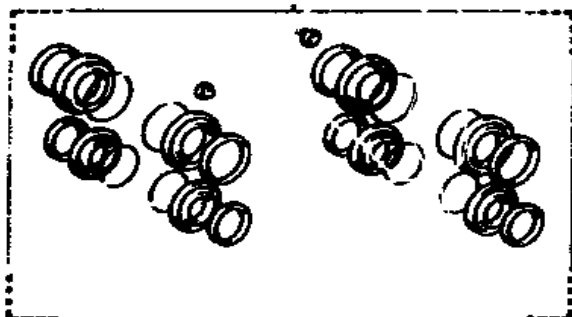


LHD

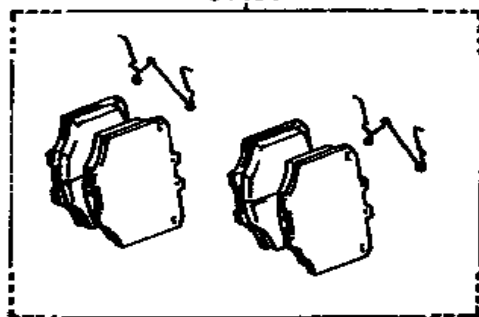




04479



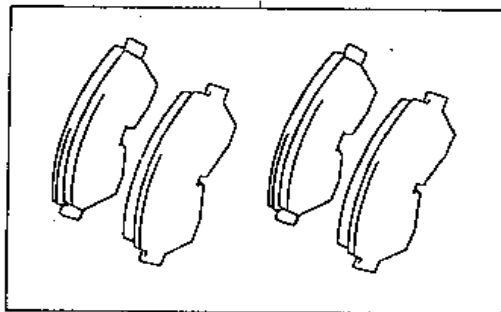
04491



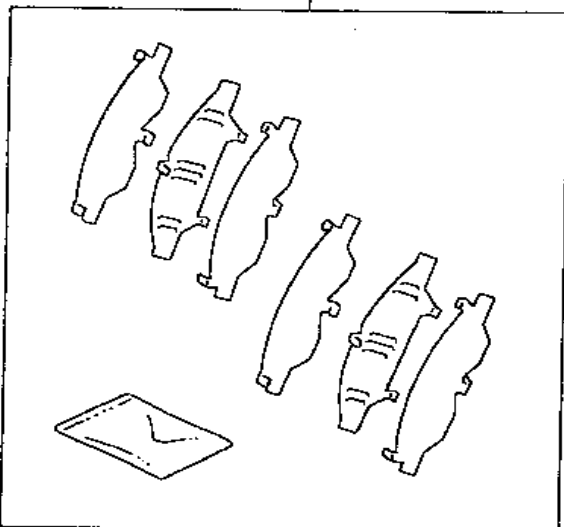
CAUTION

THE COMPONENT PARTS FOR PNC'S 04465, 04945 AND 04947 DO NOT ALWAYS MATCH THESE ILLUSTRATIONS. (EX. SHAPE, QUANTITIES..ETC.) BECAUSE THESE ILLUSTRATIONS ARE USED IN COMMON.

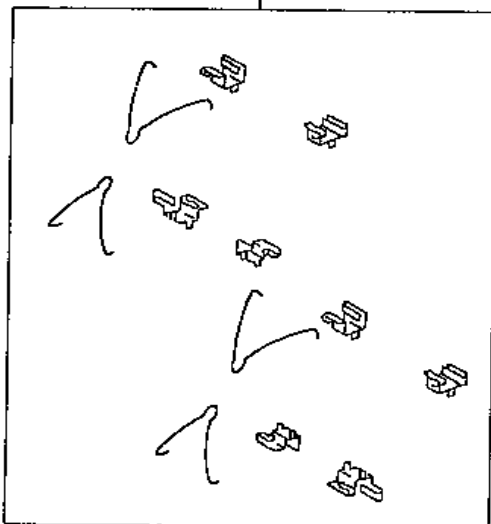
04465

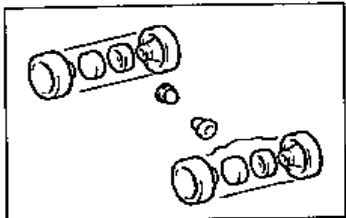
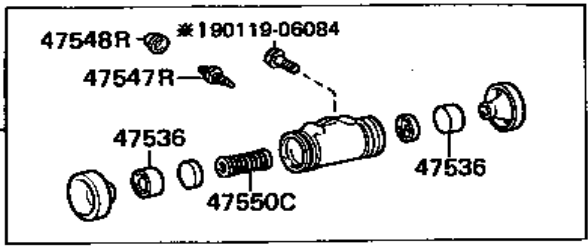
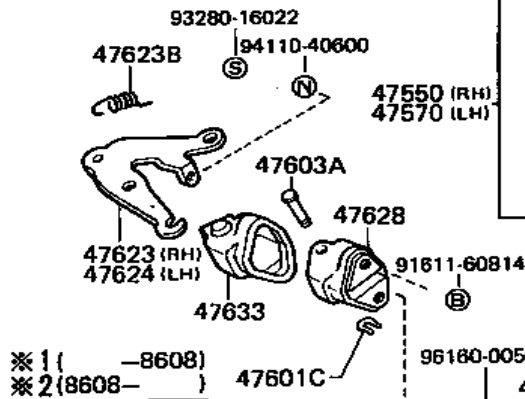


04945

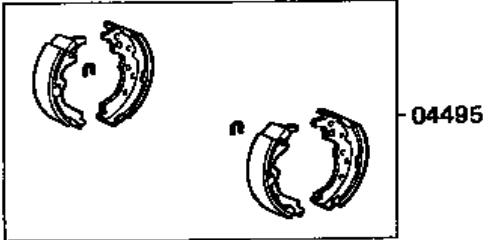
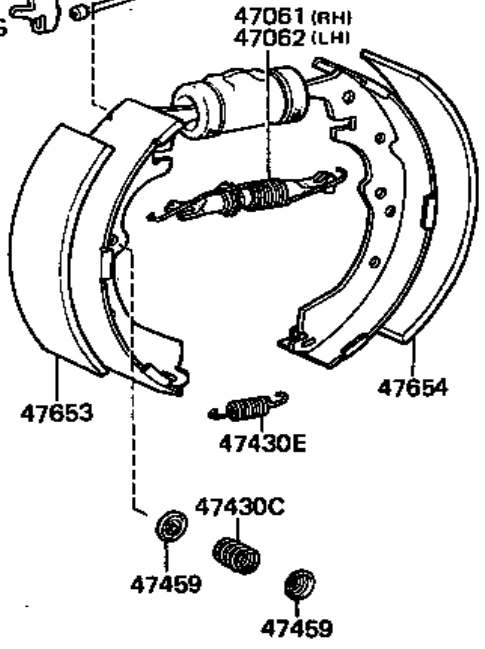
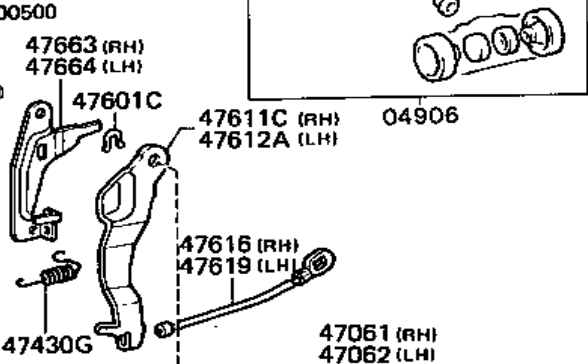
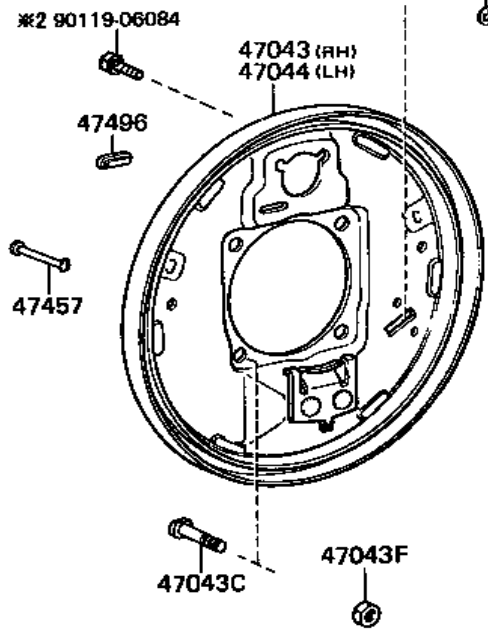


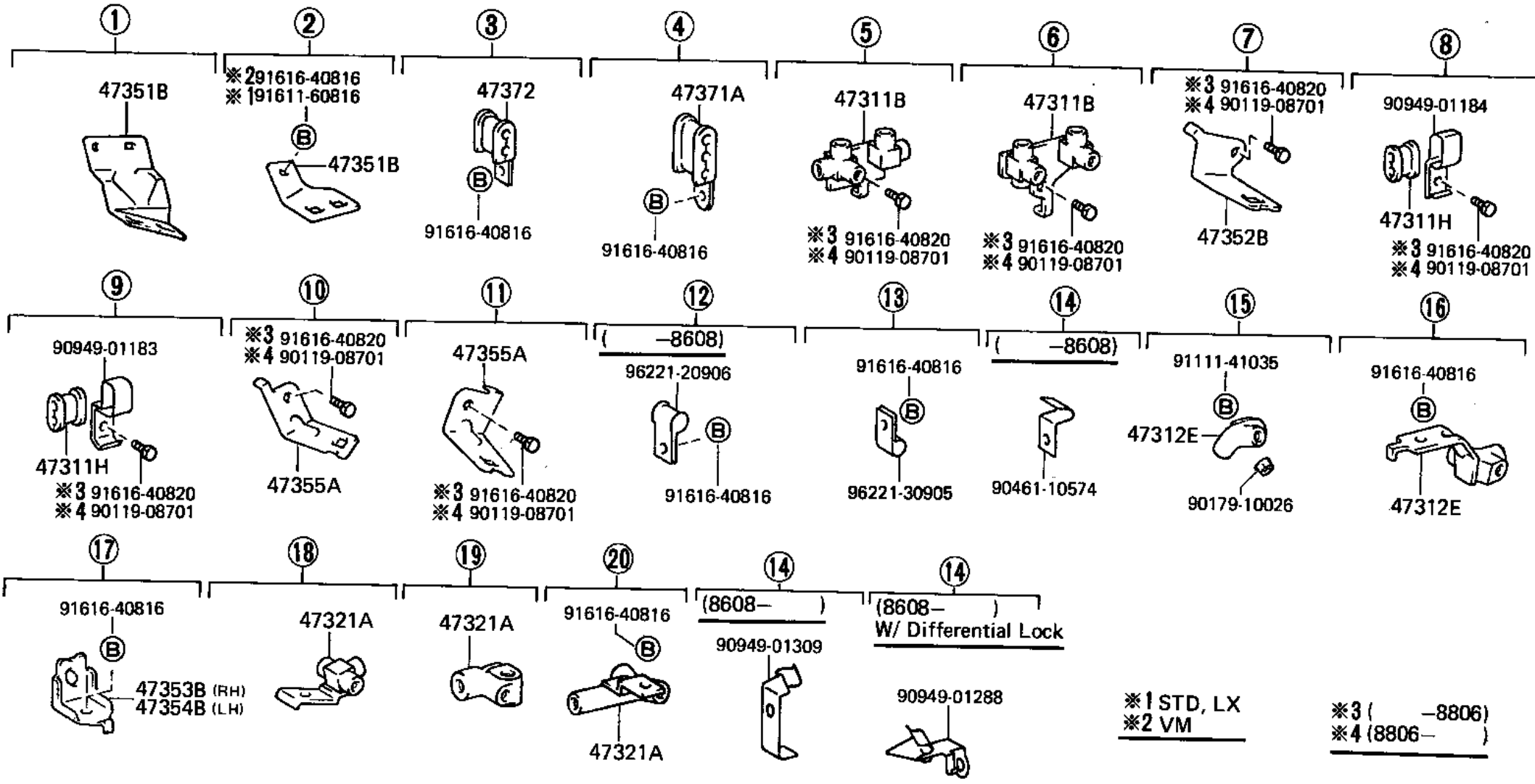
04947

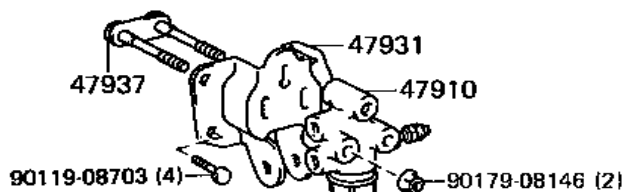




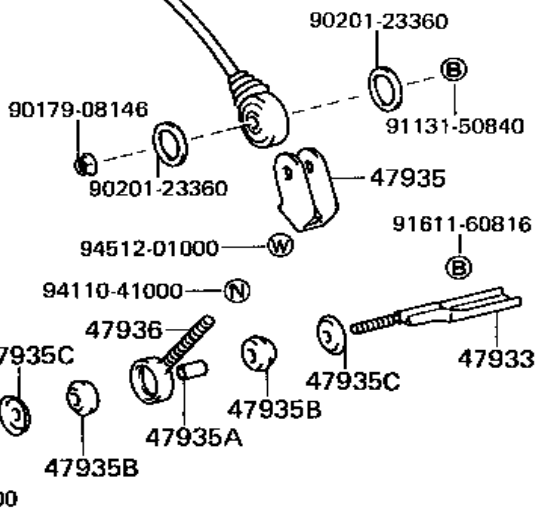
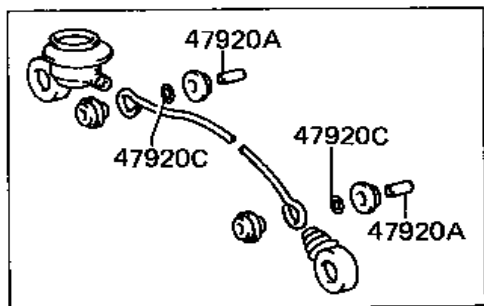
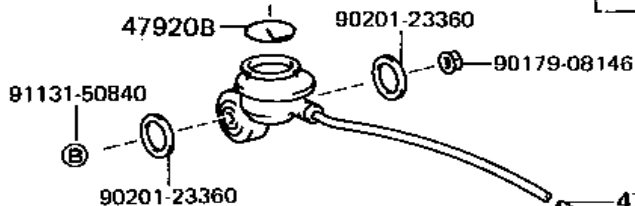
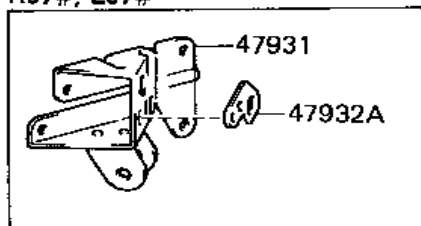
*1 (-8608)
*2 (8608-)



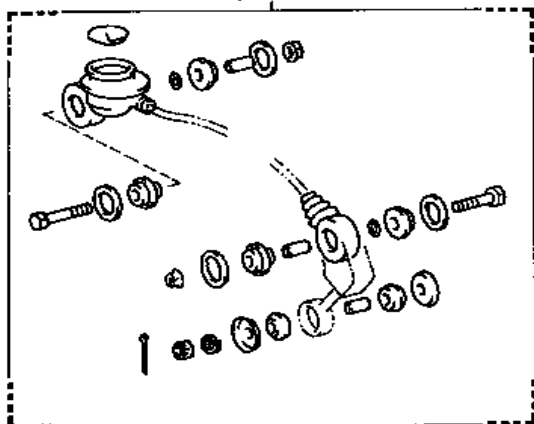




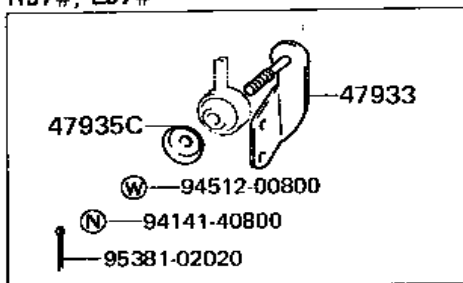
RJ7#, LJ7#



04477



RJ7#, LJ7#



94115-71200 (4) — (N)

90201-12019 (4)

43211P

RJ7#, LJ7# (RH Side)

(N) — 94115-71200 (4)

(W) — 94531-01200 (4)



43232

43204

43239

43238

43233

43233

43233

45611F

43211A

43211D

43211 (RH)

43212 (LH)

43435

43413A

43401

91651-40612 (8)

43211H (N)

94115-41200 (2)

43211A

43511A

RJ7#, LJ7#

43211P

90201-12019 (4)

(N) — 94115-71200 (4)

45611F

43233

43233

43233

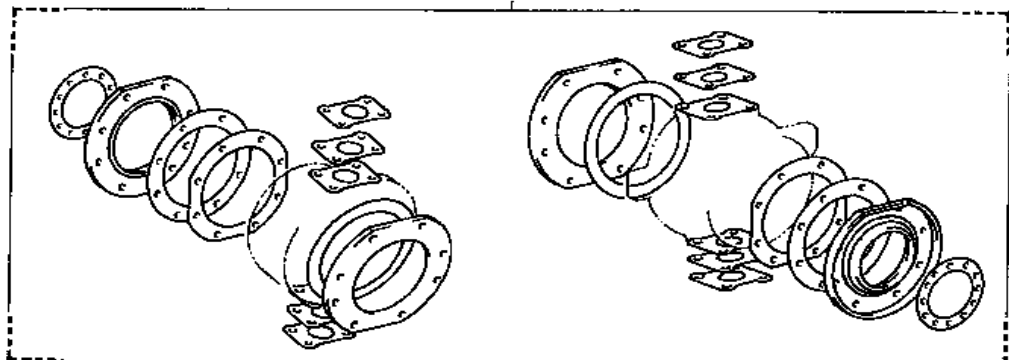
43232

43436

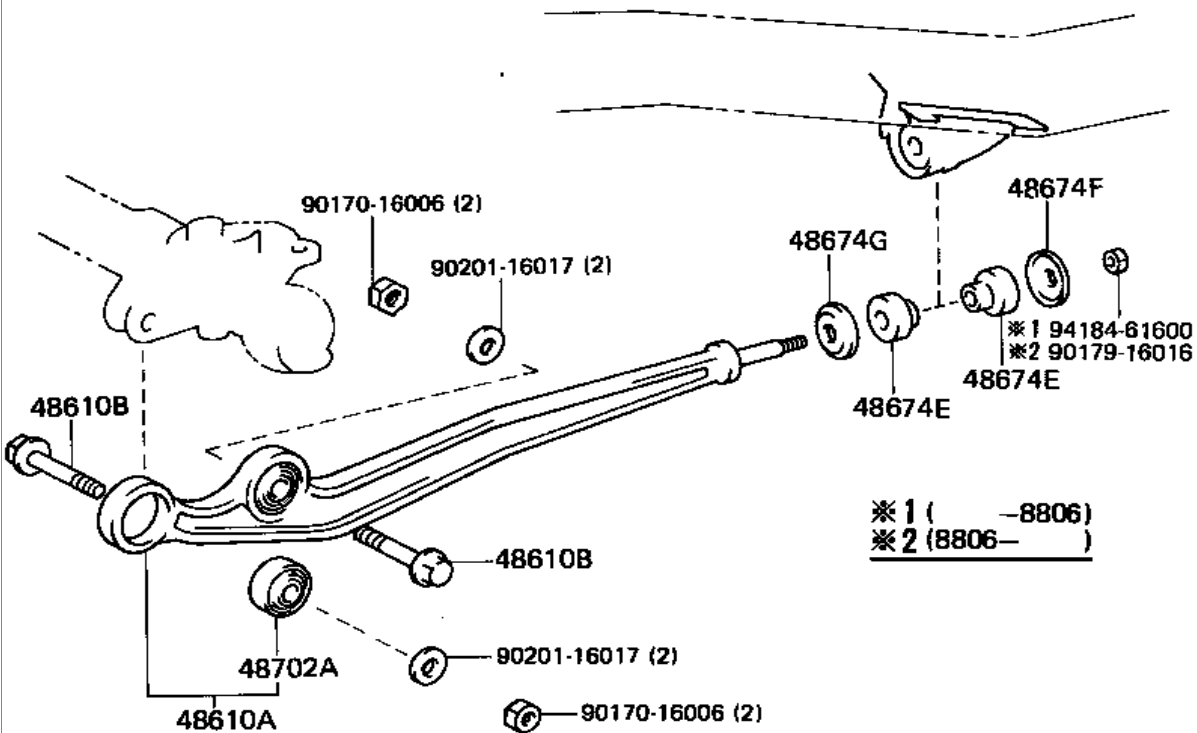
(W) — 94531-01200 (4)

(N) — 94115-71200 (4)

04434



MC B865-B



MC 8899-D

- ※1 (-8708)
- ※2 (8708-)
- ※3 (-8806)
- ※4 (8806-)

(-8510)

91619-61225

ⓑ ⓐ

48530C

