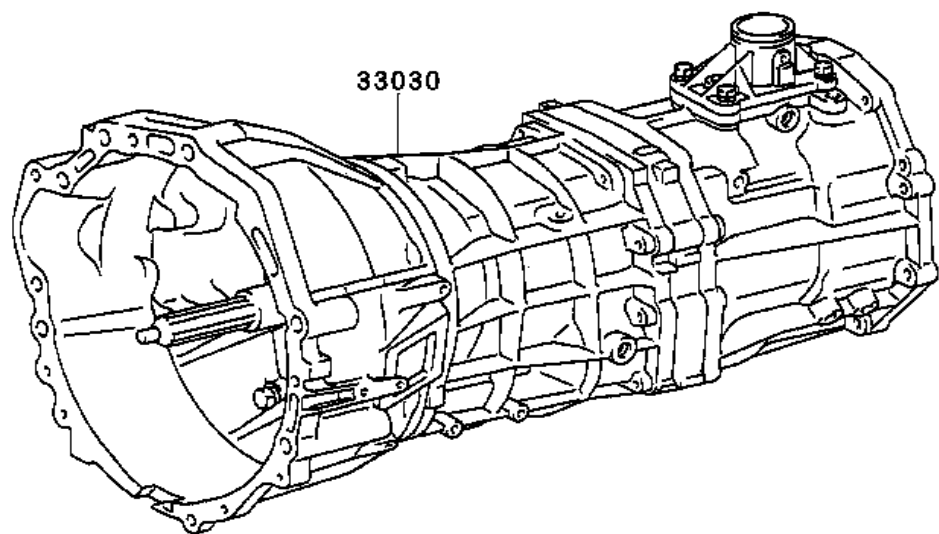
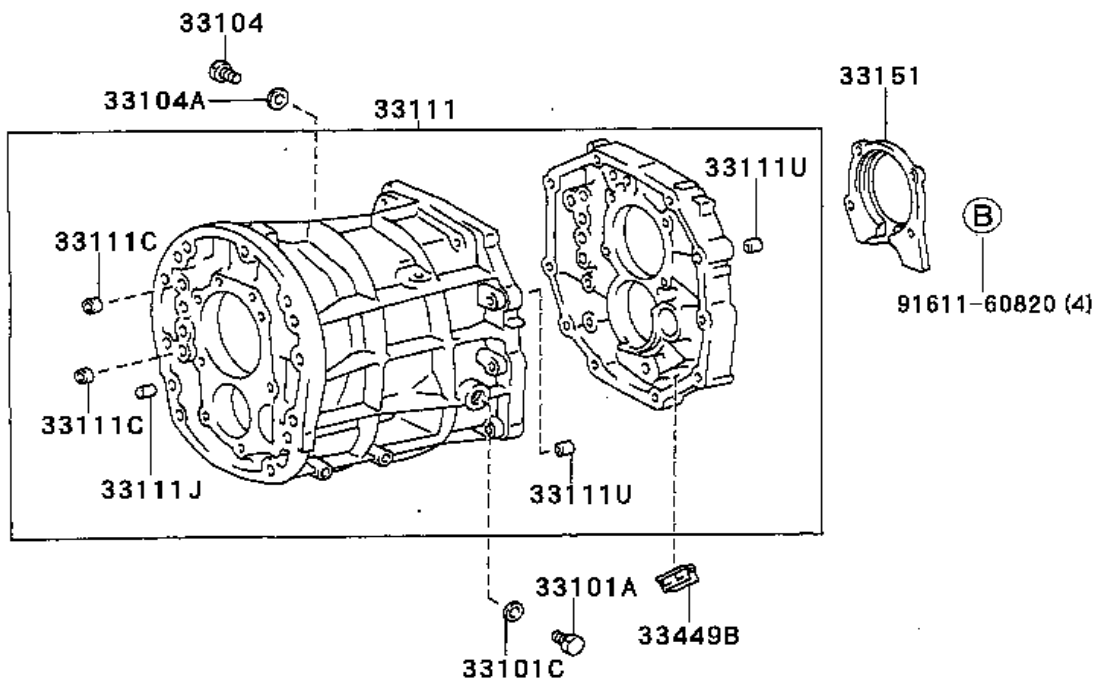
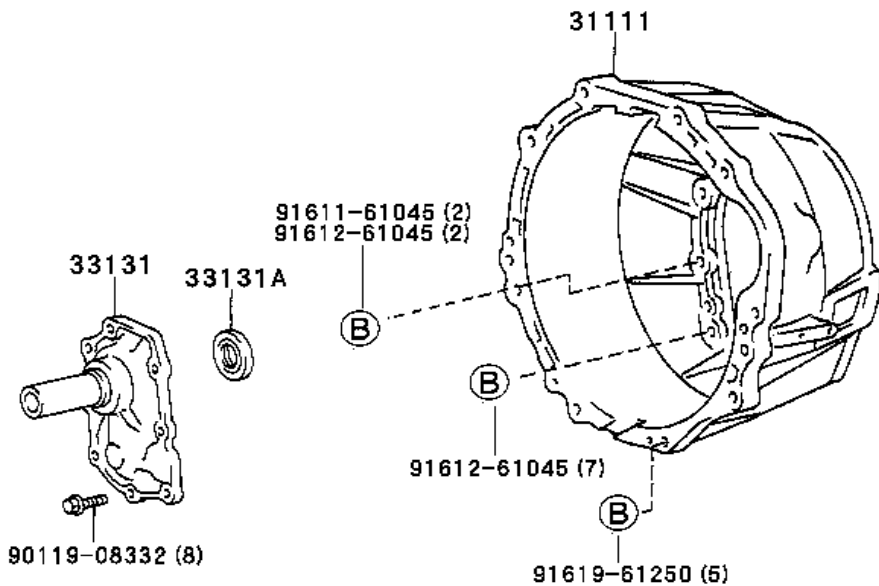


### 31232A

TYPE A	TYPE B		
<p>76.0 20.0</p>	<p>29.6 73.0 4.5</p>		



330002



91611-60828 — (B)

33404F — e

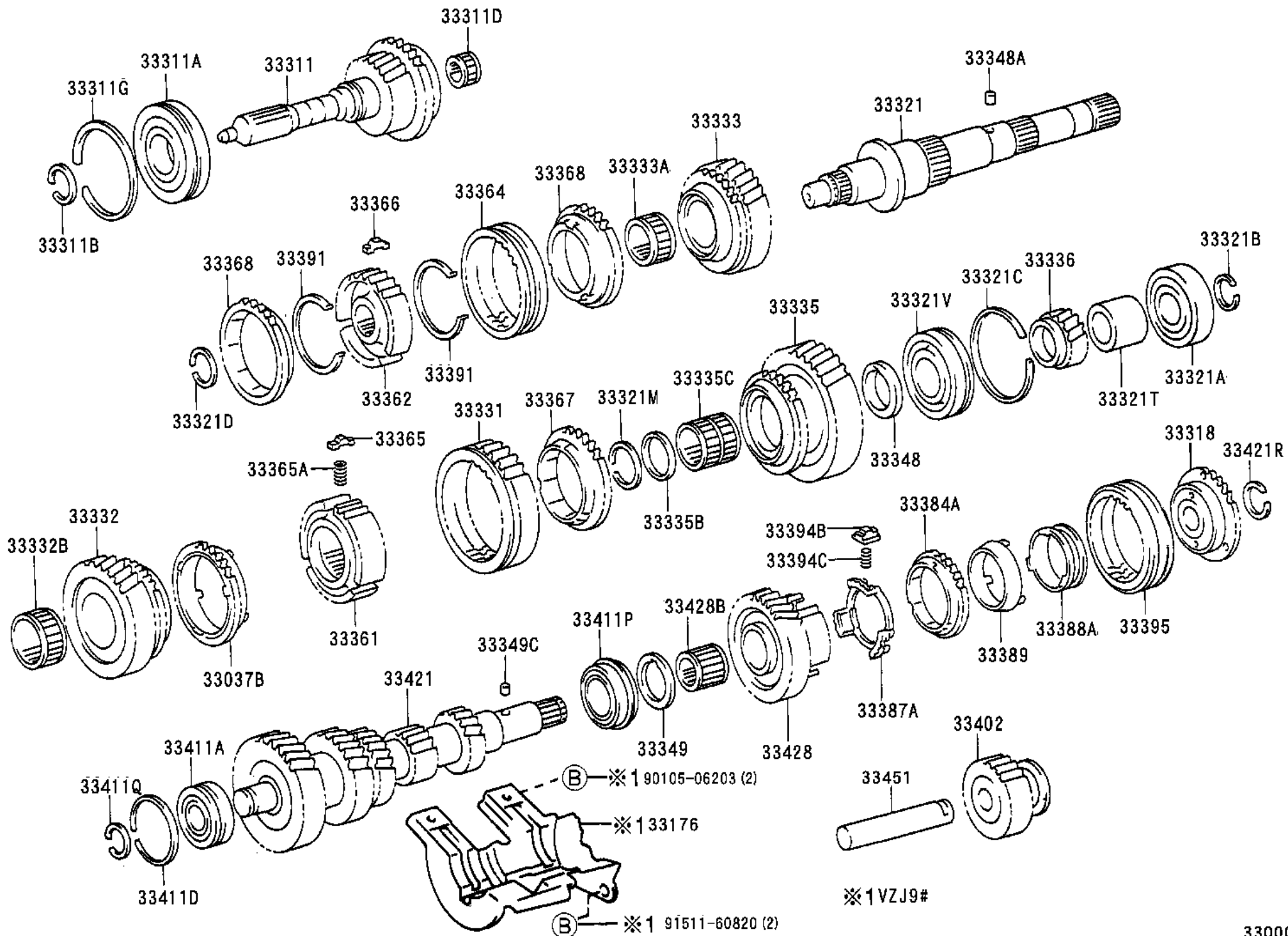
REFER TO  
FIG 83-01  
(PNC 83181A)



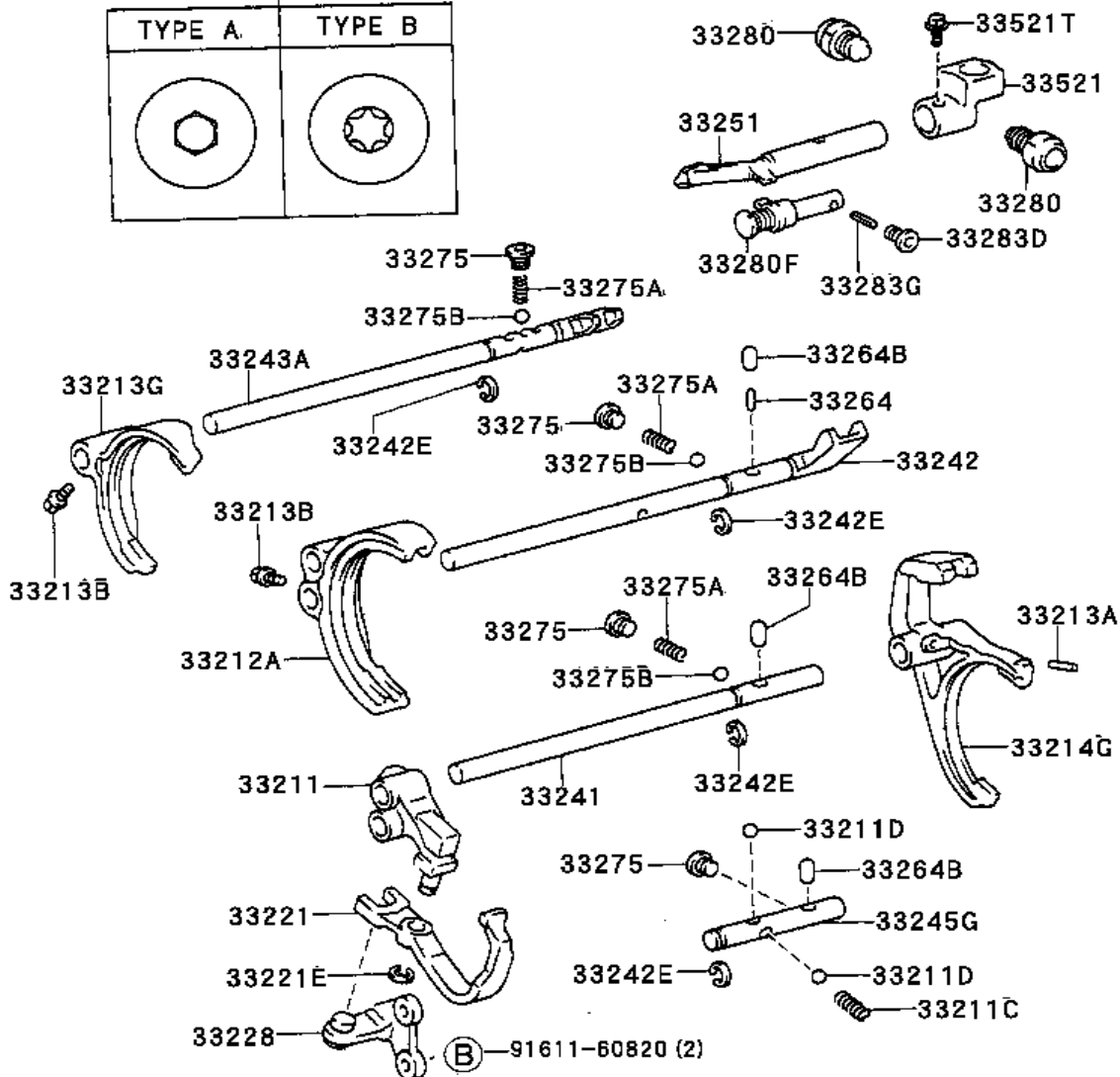
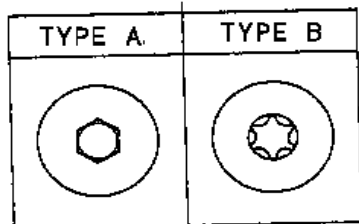
33403

e





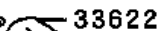
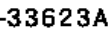
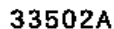
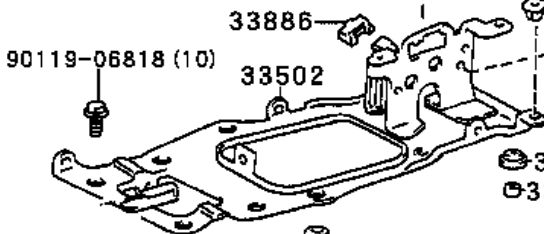
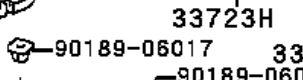
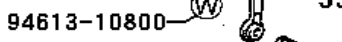
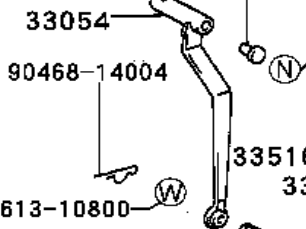
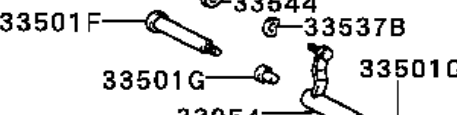
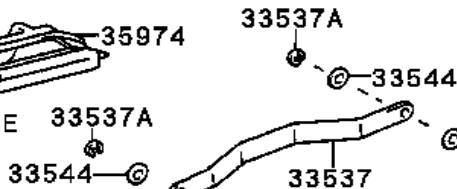
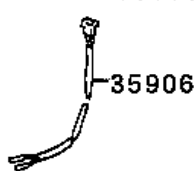
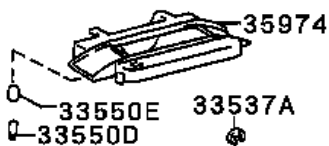
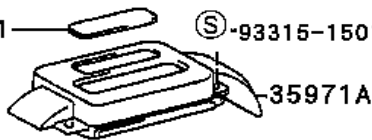
33275



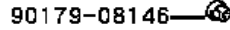
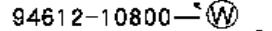
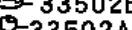
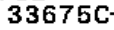
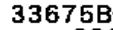
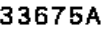
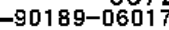
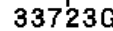
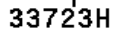
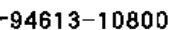
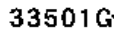
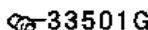
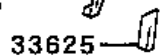
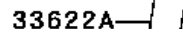
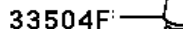
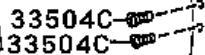
(B) 91611-60820 (2)

330017

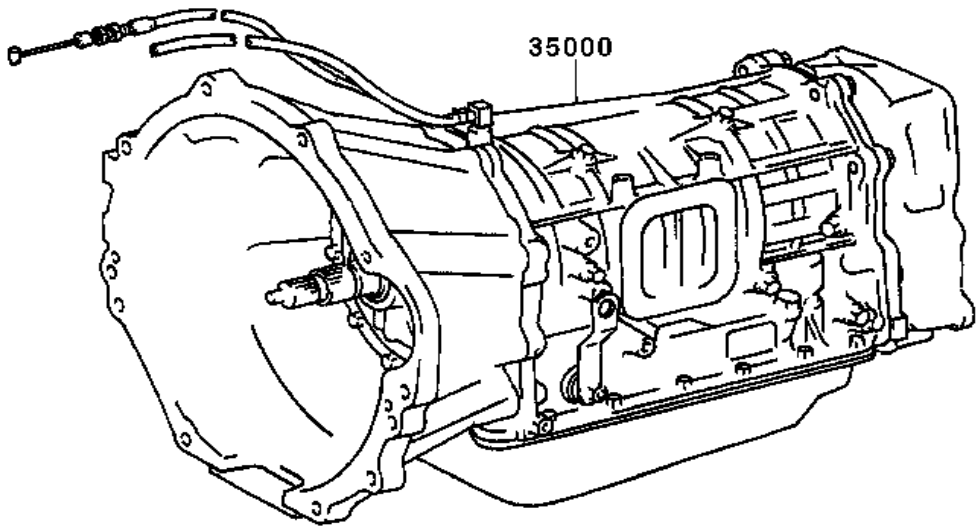
35921 — (S) -93315-15012 (3)



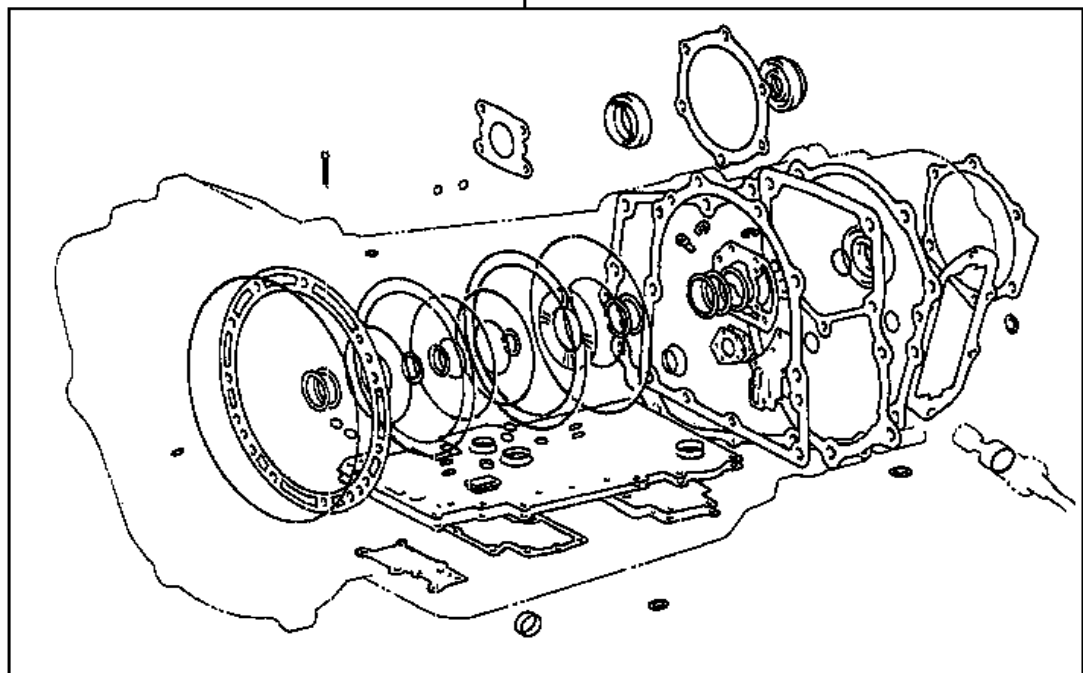
REFER TO FIG 84-10 (PNC 84722)



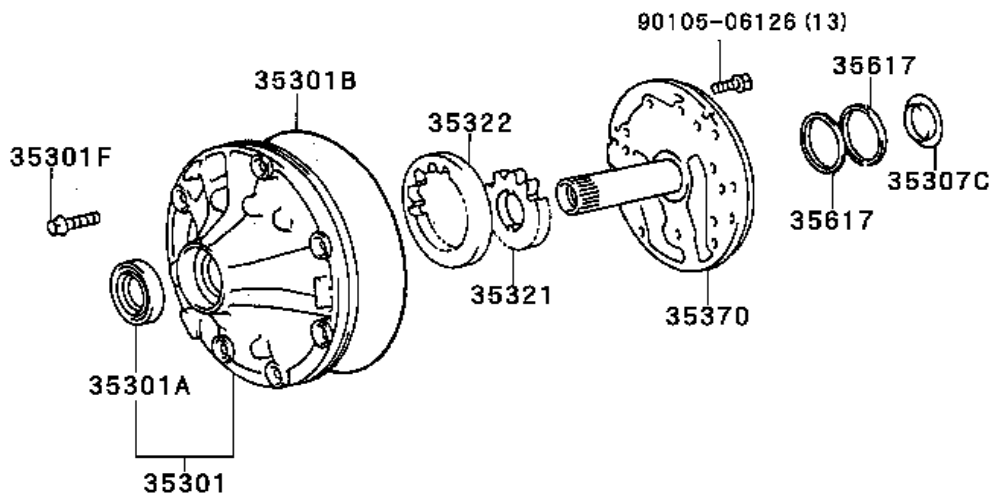
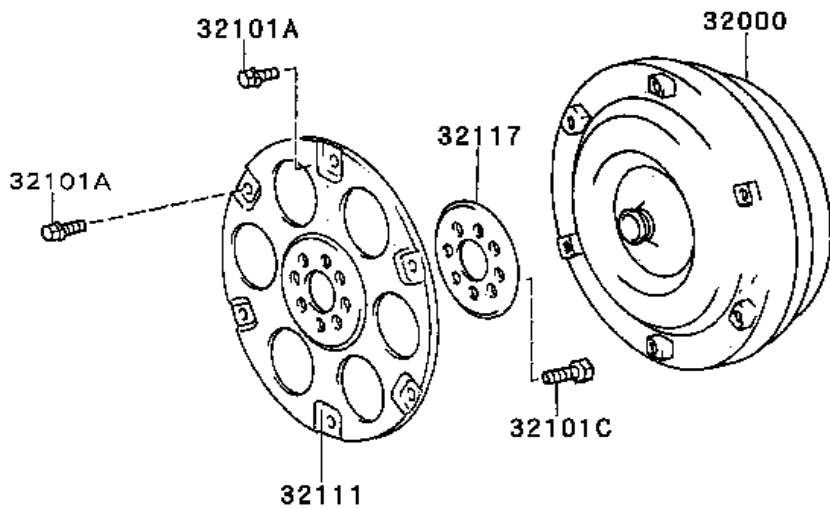
35000

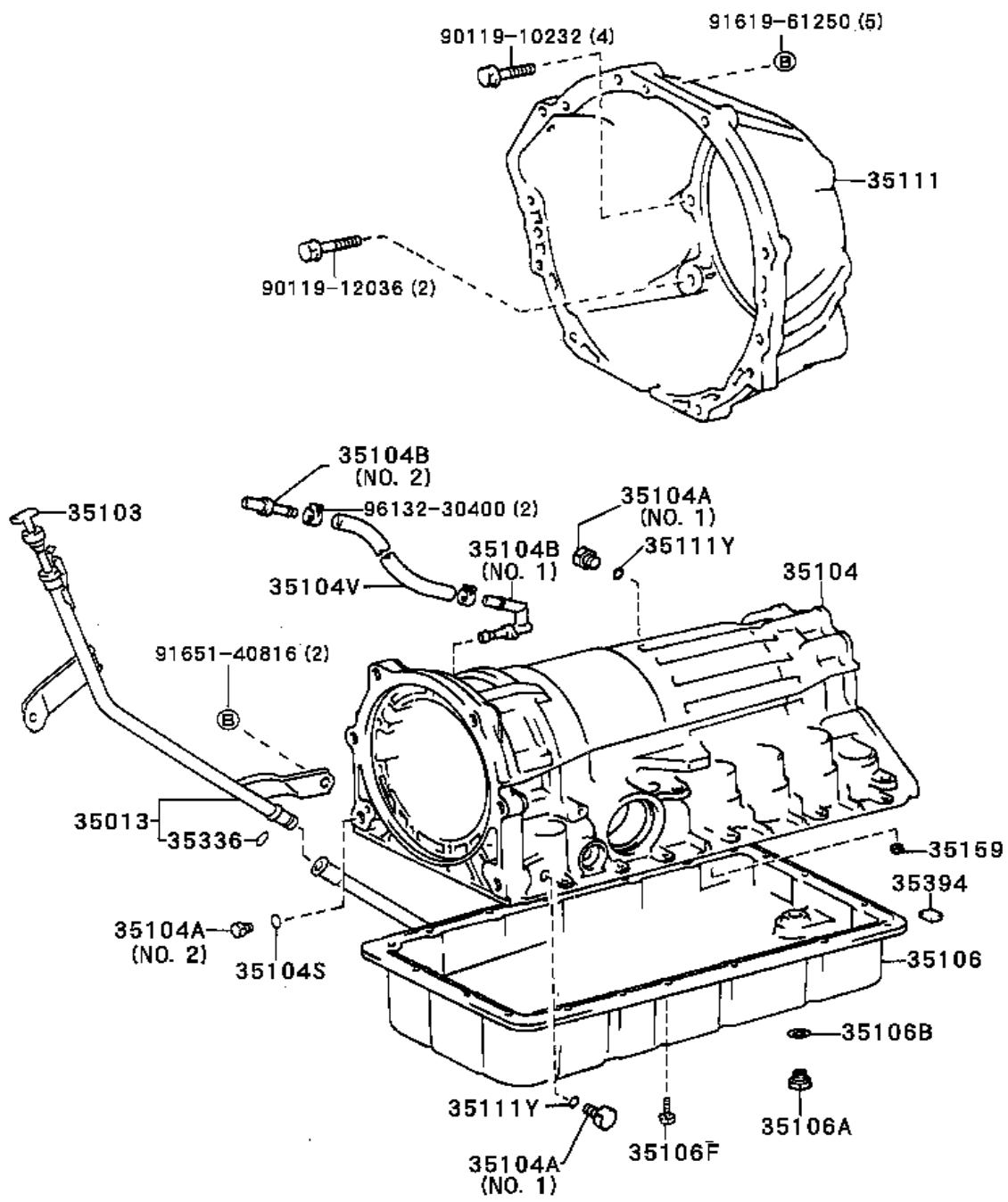


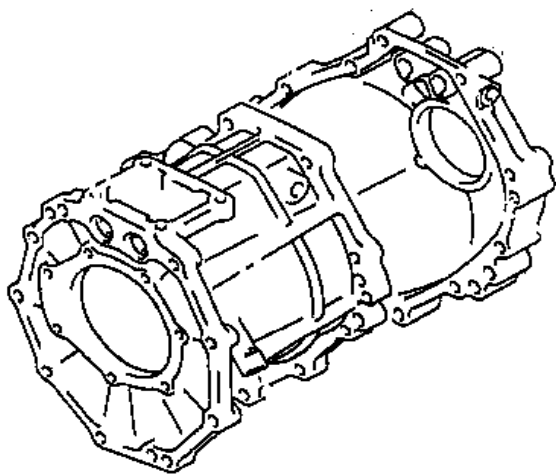
04351











⑨-91611-60828

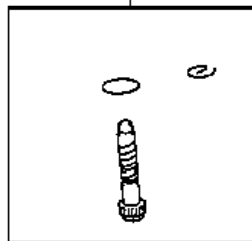


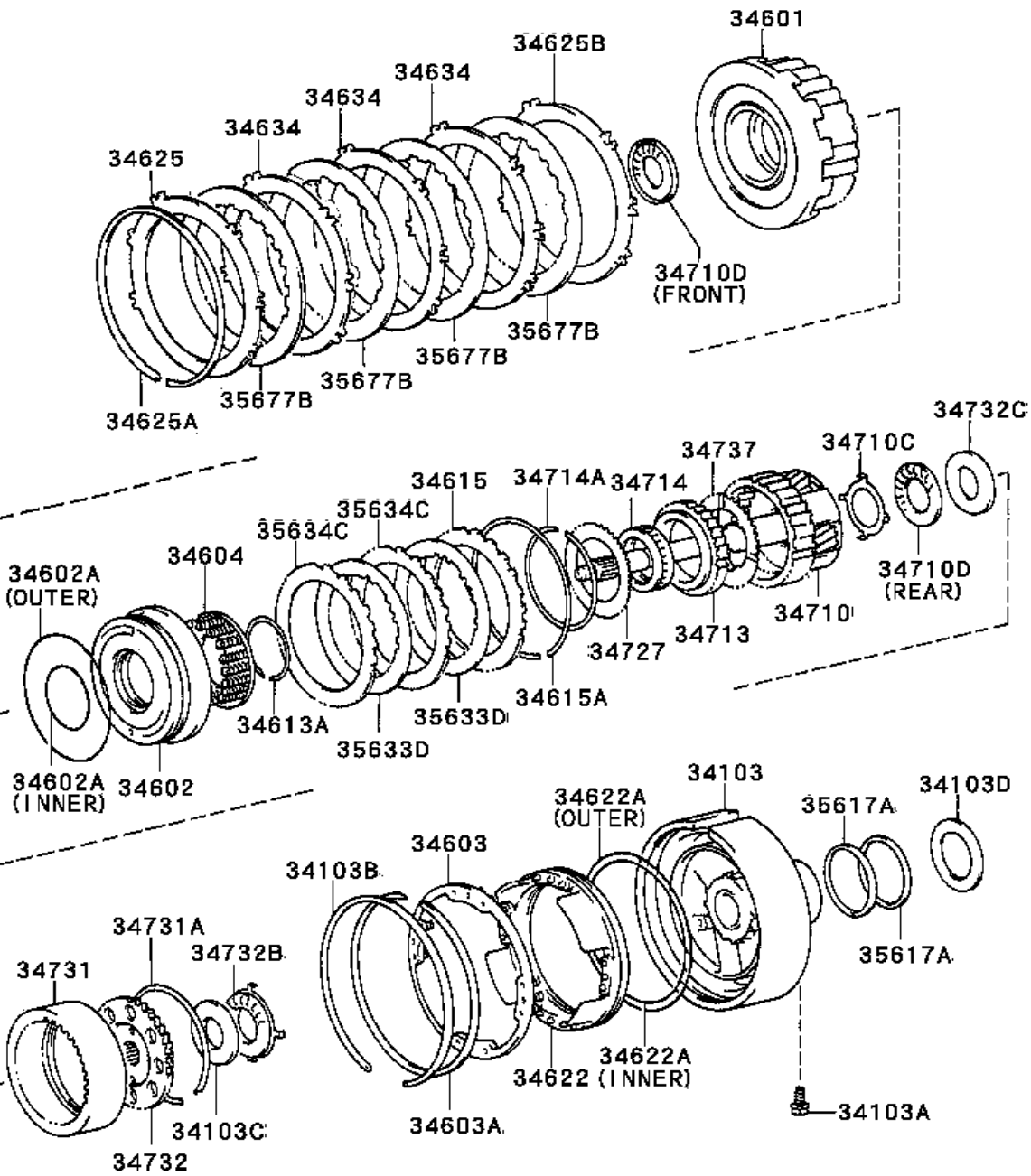
REFER TO  
FIG 83-01  
(PNC 83181A)

33404K



33403G

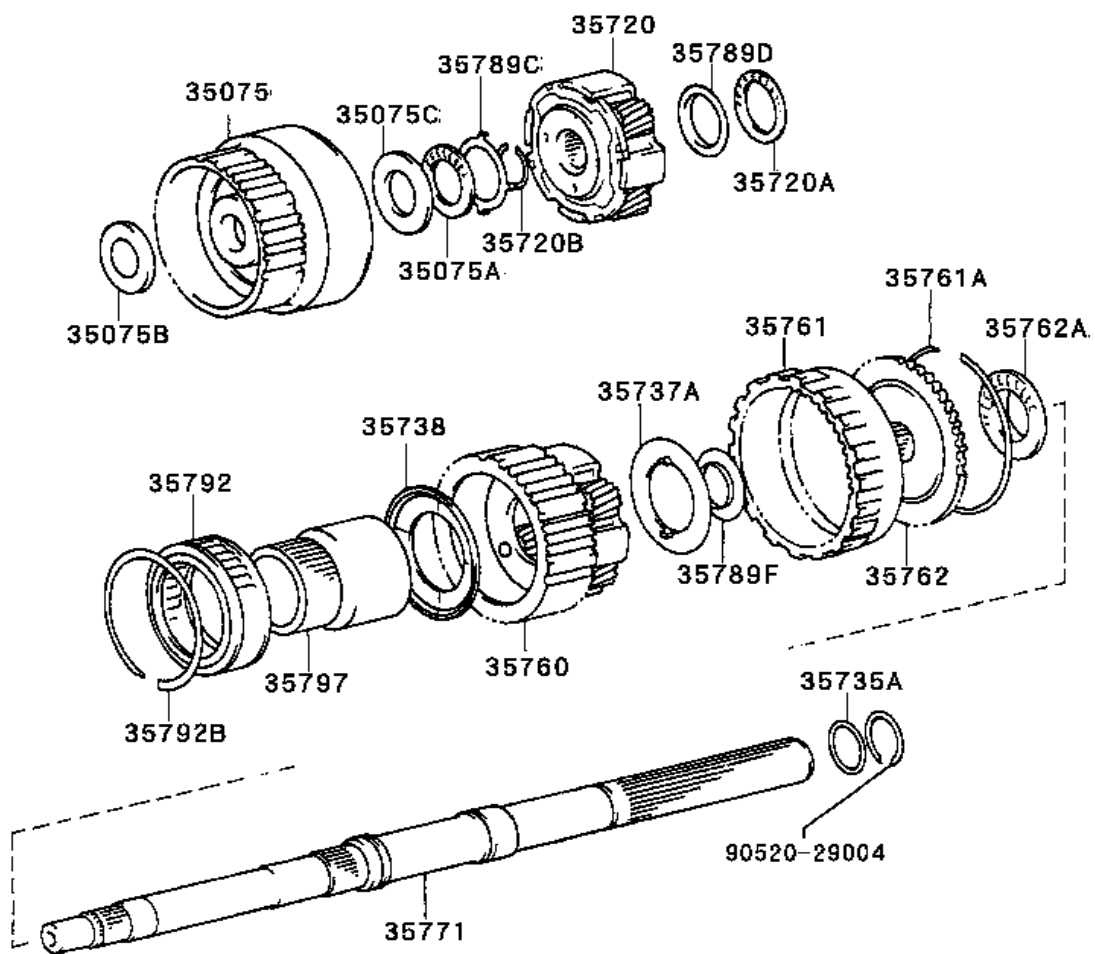




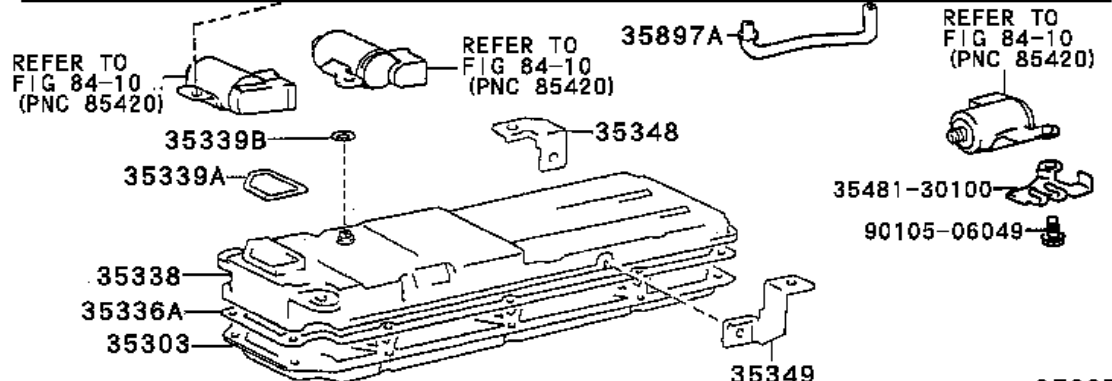
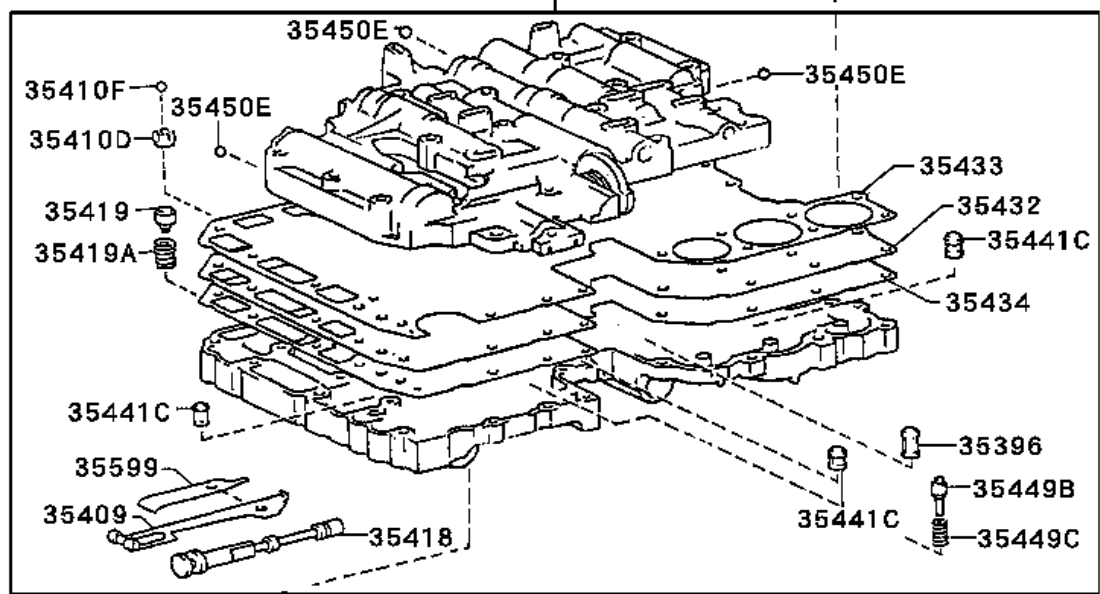
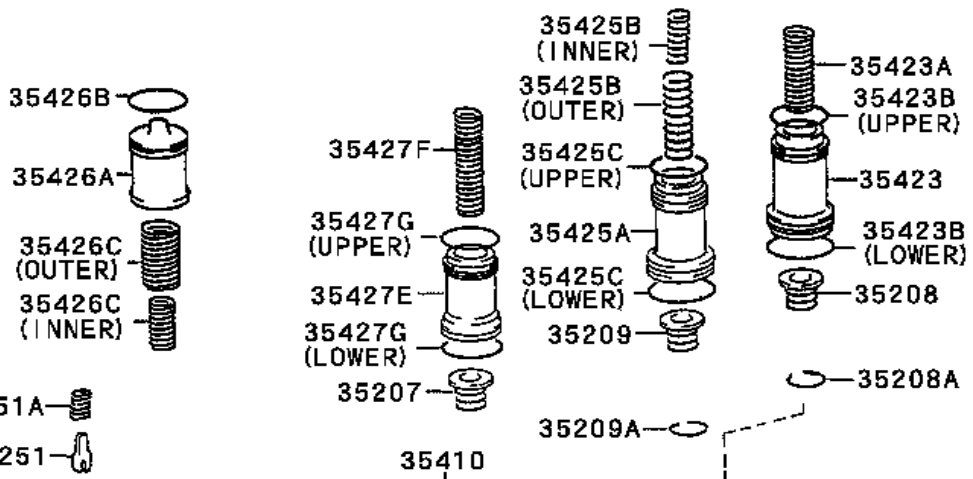




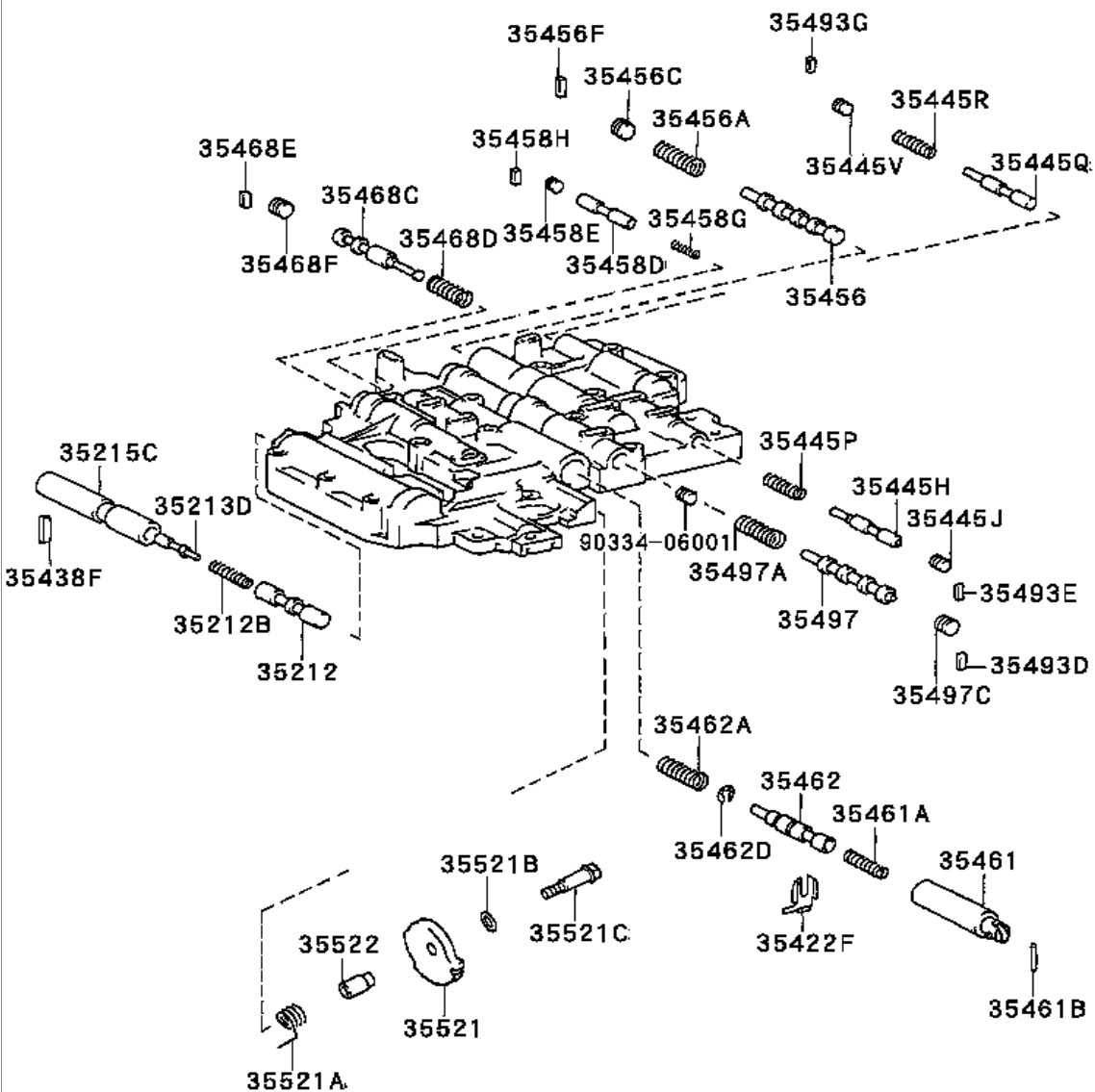




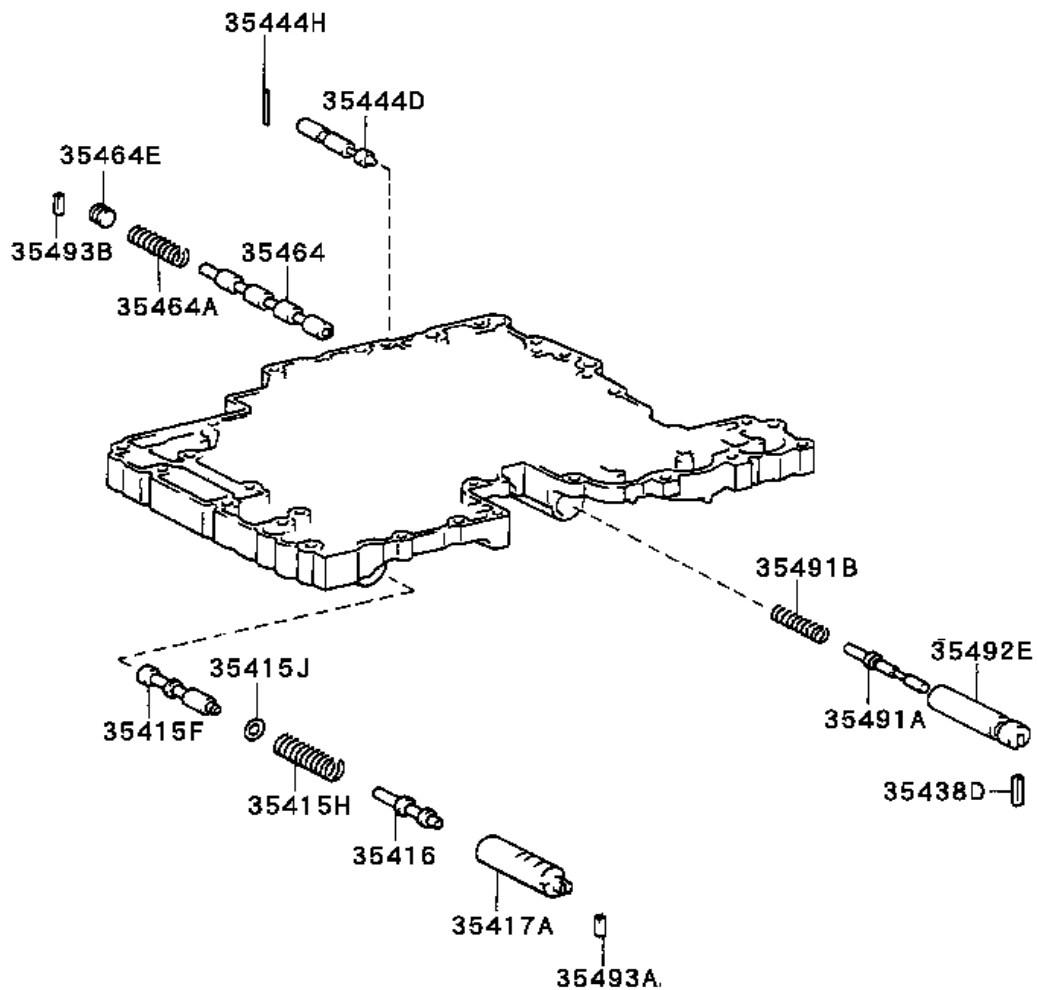




# UPPER VALVE BODY



# LOWER VALVE BODY



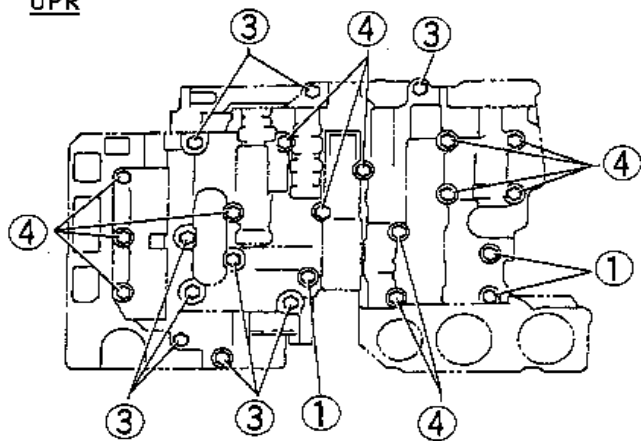
351423



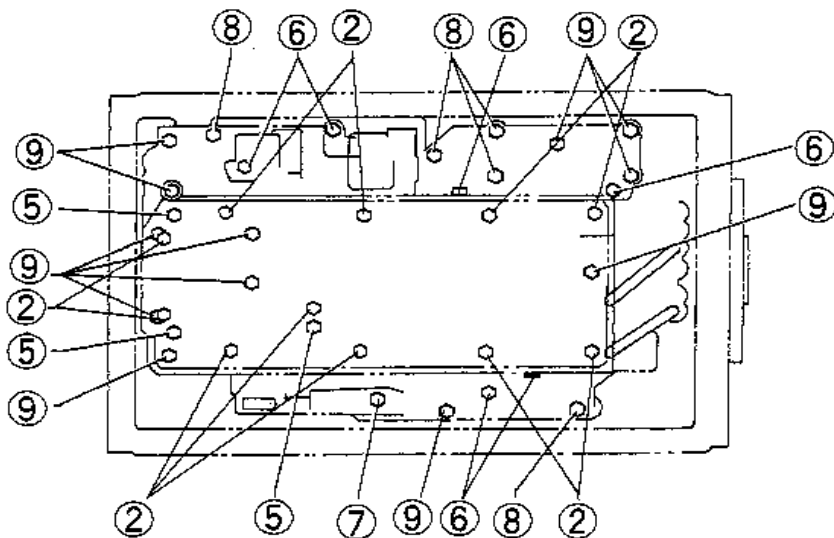
Valve Body Set Bolt

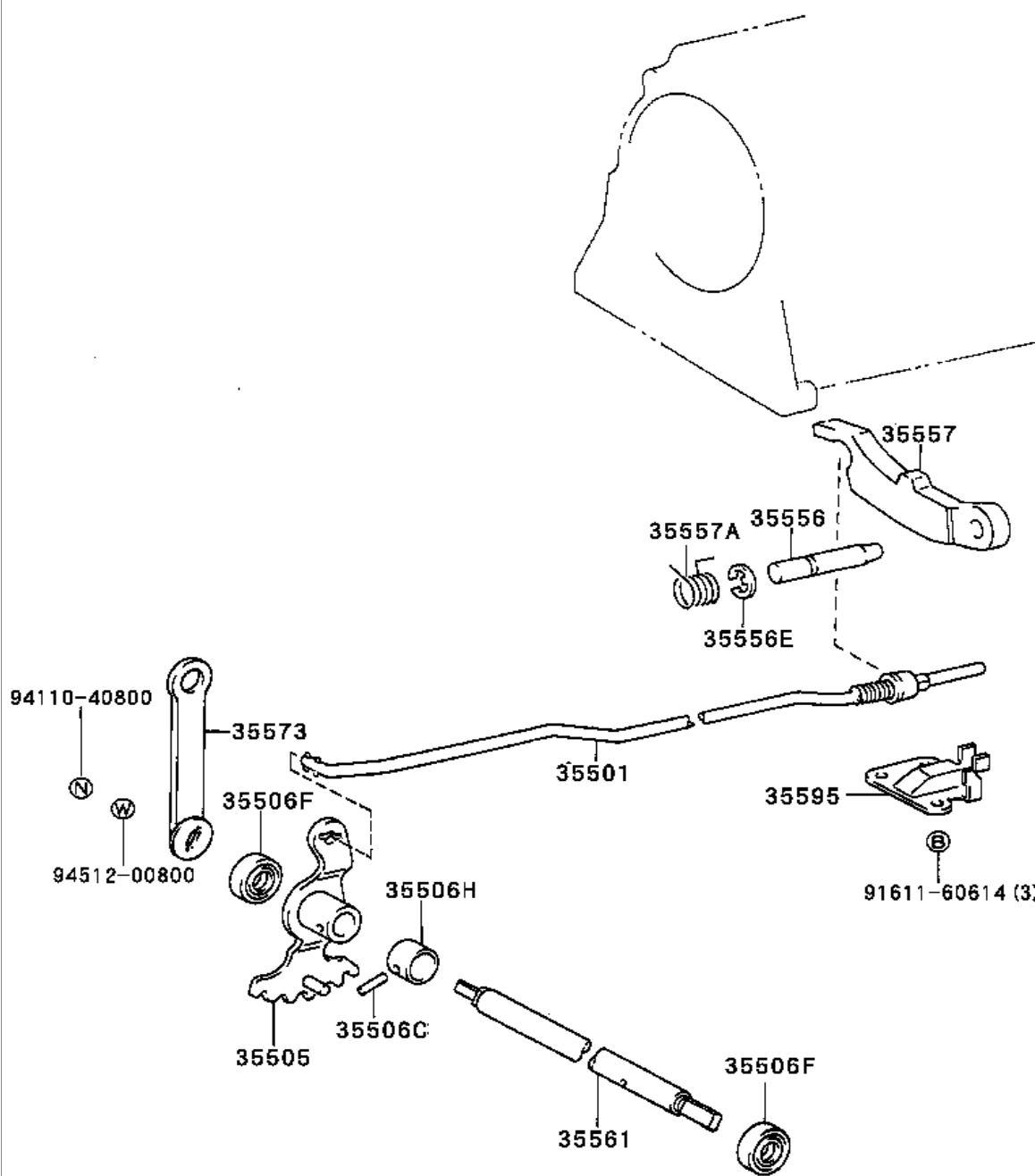
	PART NO.	L	QTY
1	90105-05003	28	3
2	90105-05005	12	11
3	90105-05008	20	9
4	90105-05031	28	13
5	90105-06026	20	3
6	90105-06049	12	6
7	90105-06053	16	1
8	90105-06075	23	5
9	90105-06076	32	12

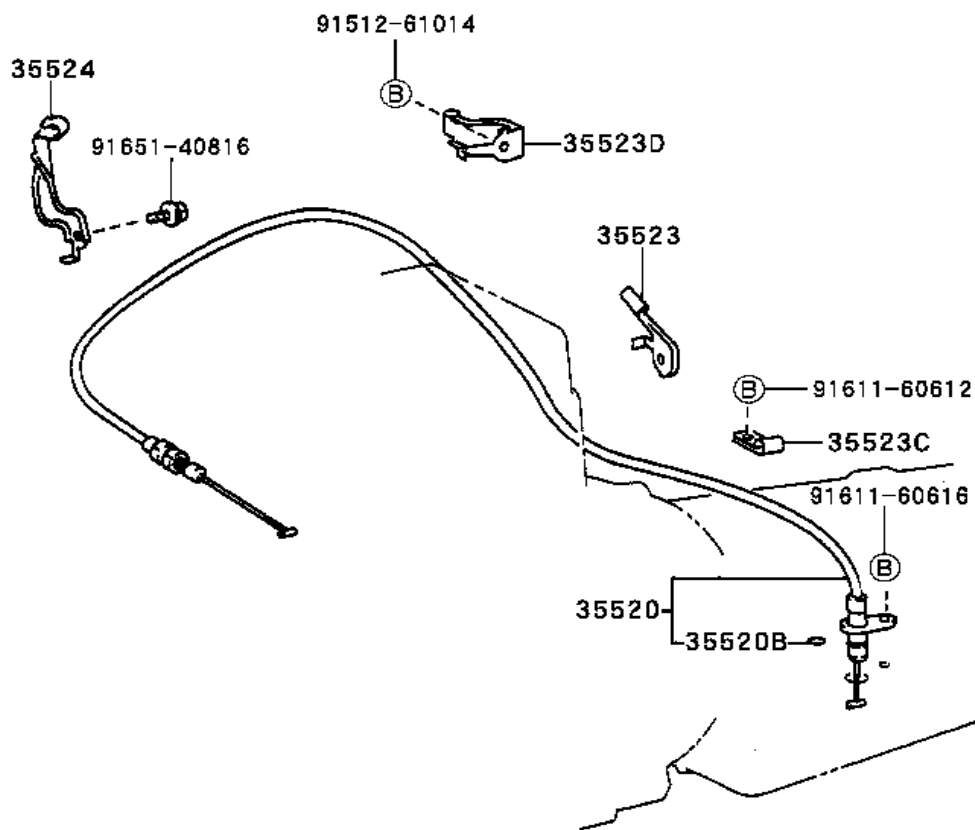
UPR

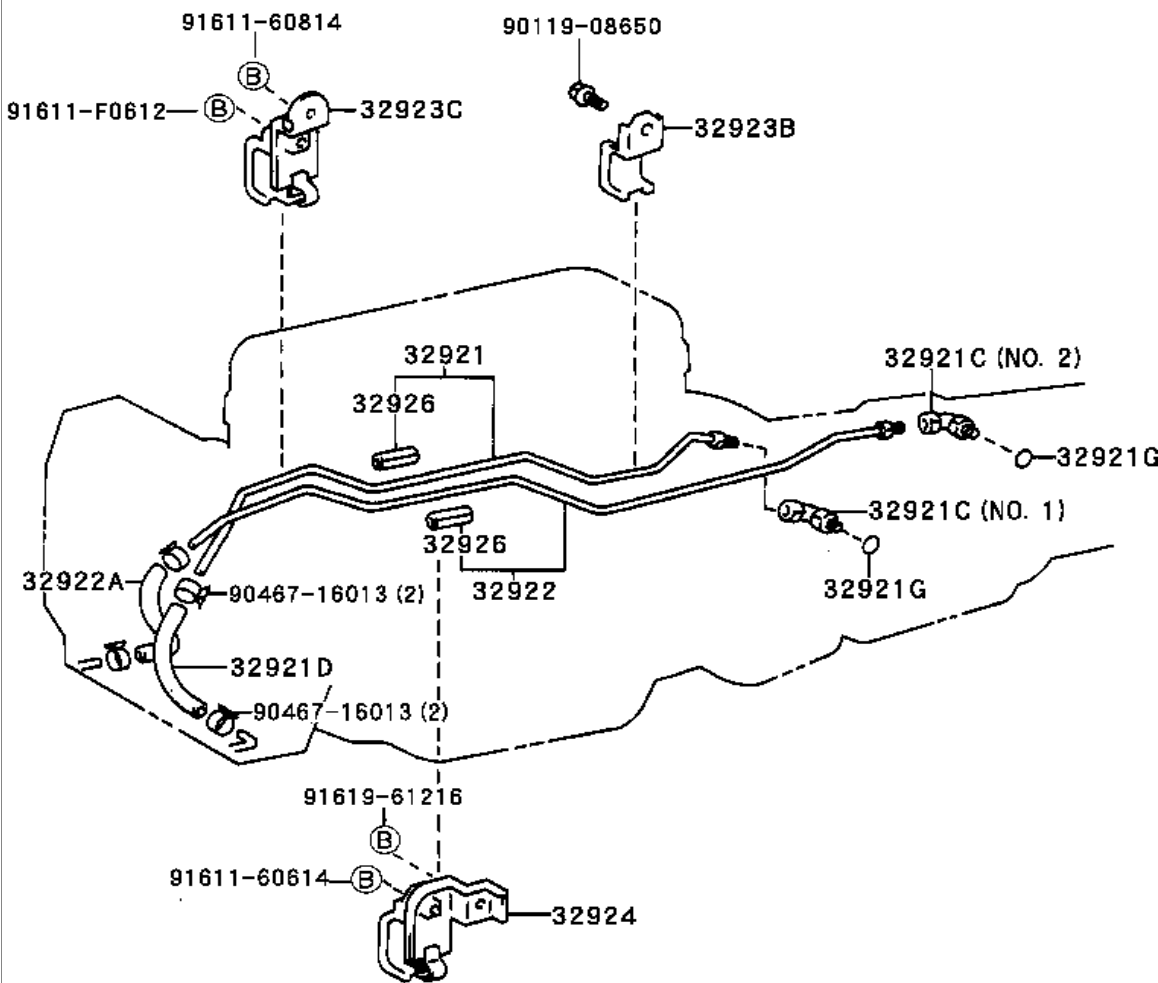


LWR

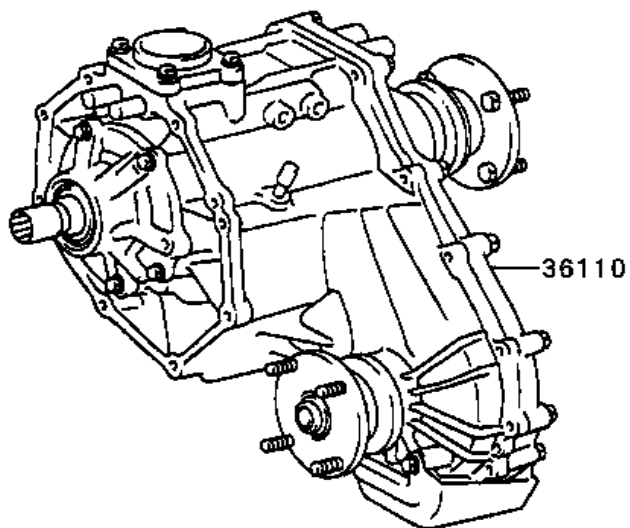




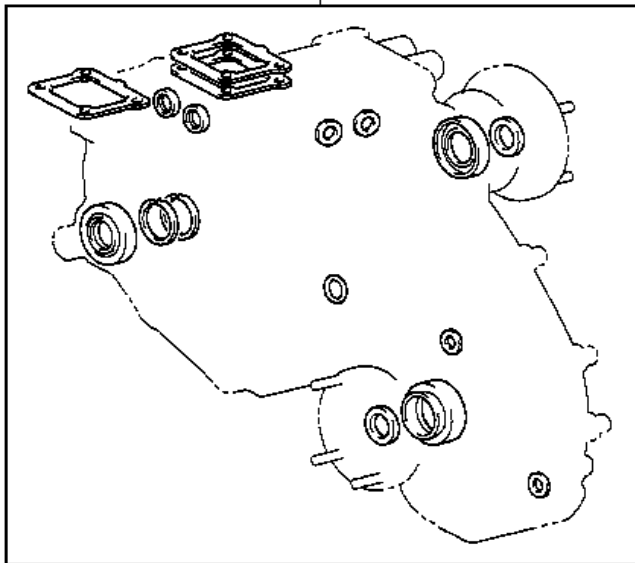




350020



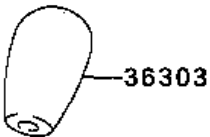
04362



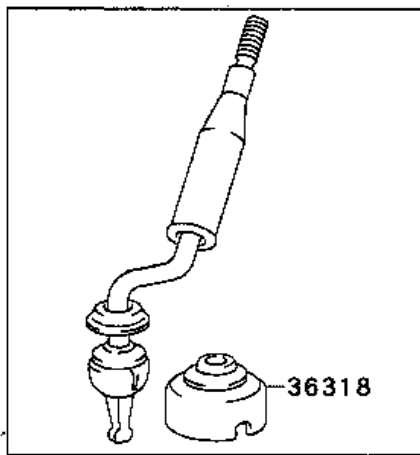






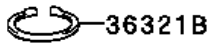


36303

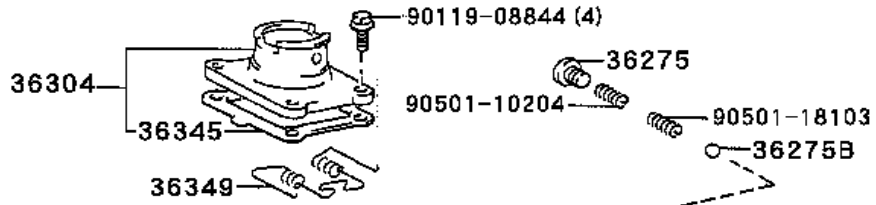


36360G

36318



36321B



36304

36345

90119-08844 (4)

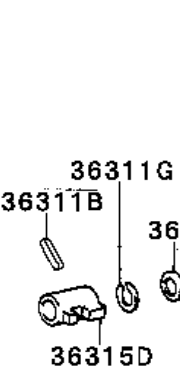
90501-10204

36275

90501-18103

36275B

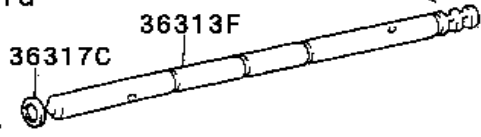
36349



36311G

36311B

36315D



36313F

36317C

90501-29038

36317C

36317C

36311B

36311G

36264

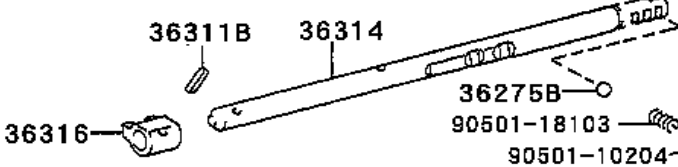
41451C

90501-29038

36317D

36311B

36311G



36311B

36314

36316

36275B

90501-18103

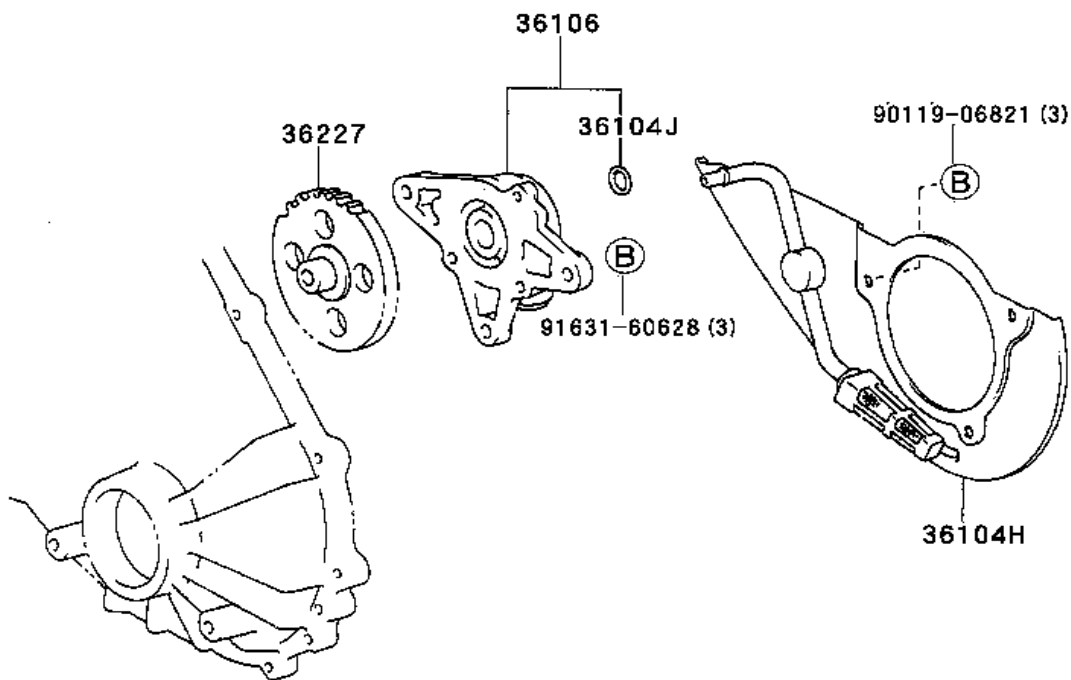
90501-10204

36275

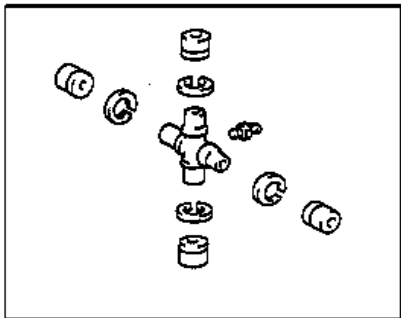


36312F

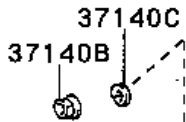
360026-A



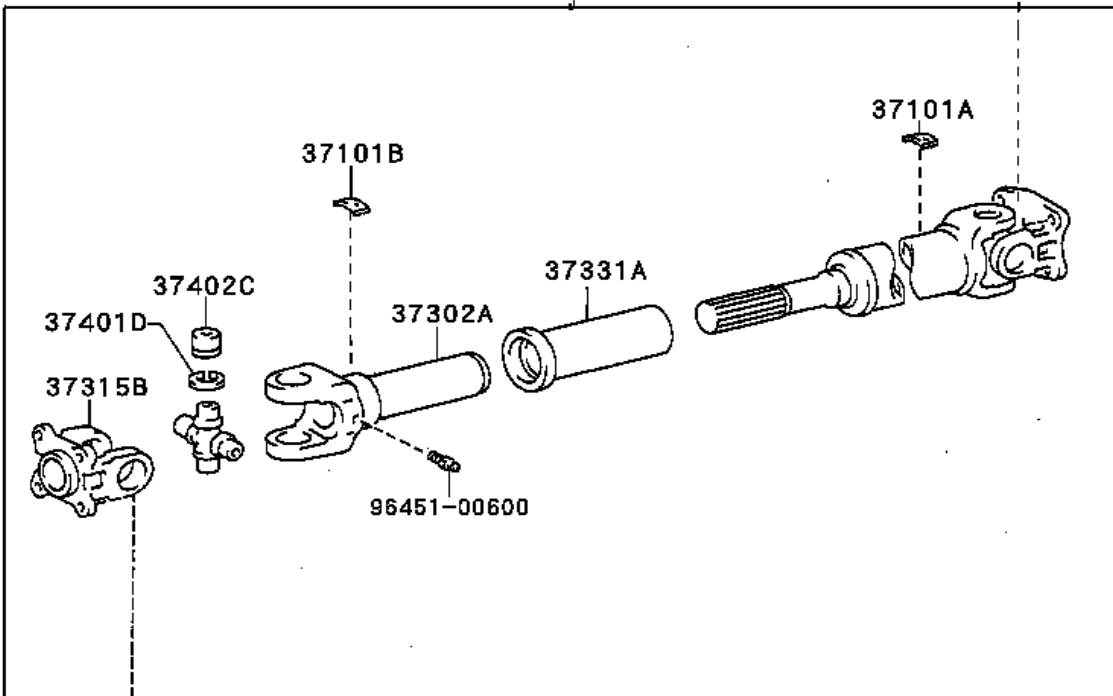
360008



04371G



37140



37101B

37101A

37402C

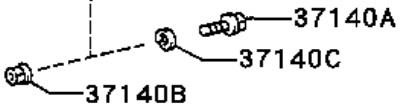
37401D

37302A

37331A

37315B

96451-00600

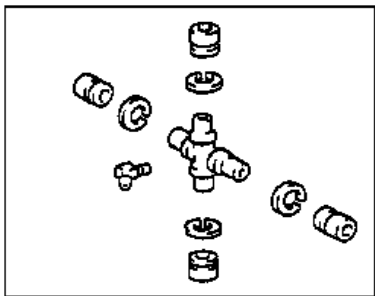


37140A

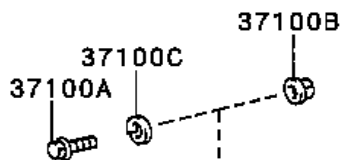
37140C

37140B

370001



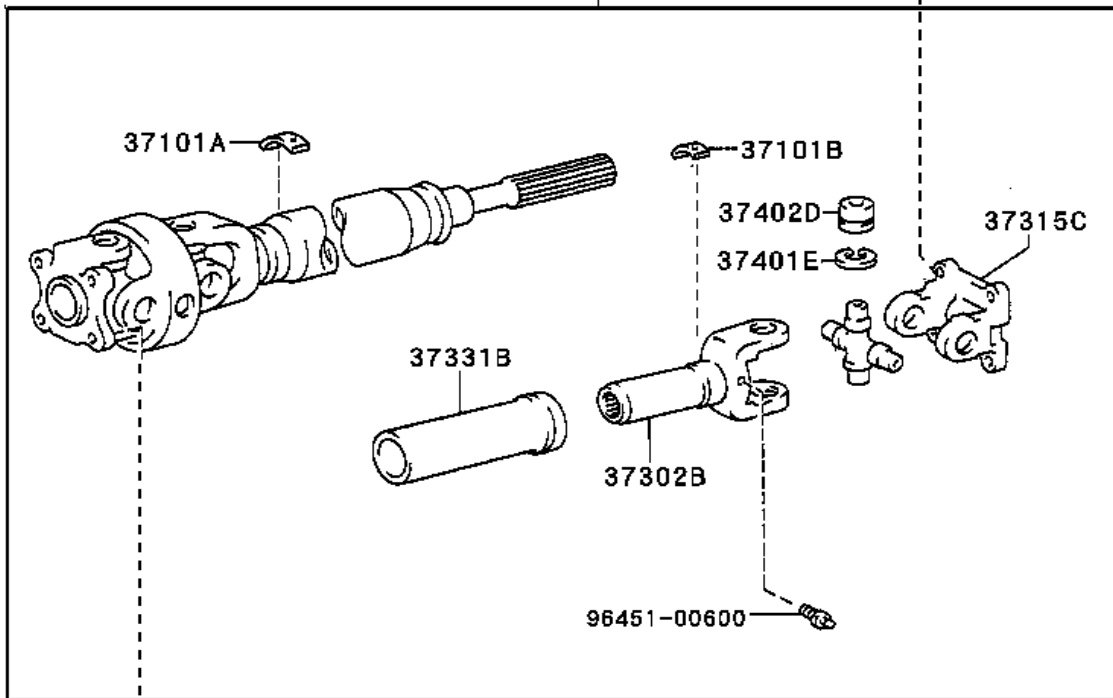
04371H



37100A 37100C

37100B

37110



37101A

37101B

37402D

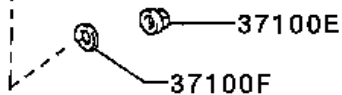
37401E

37315C

37331B

37302B

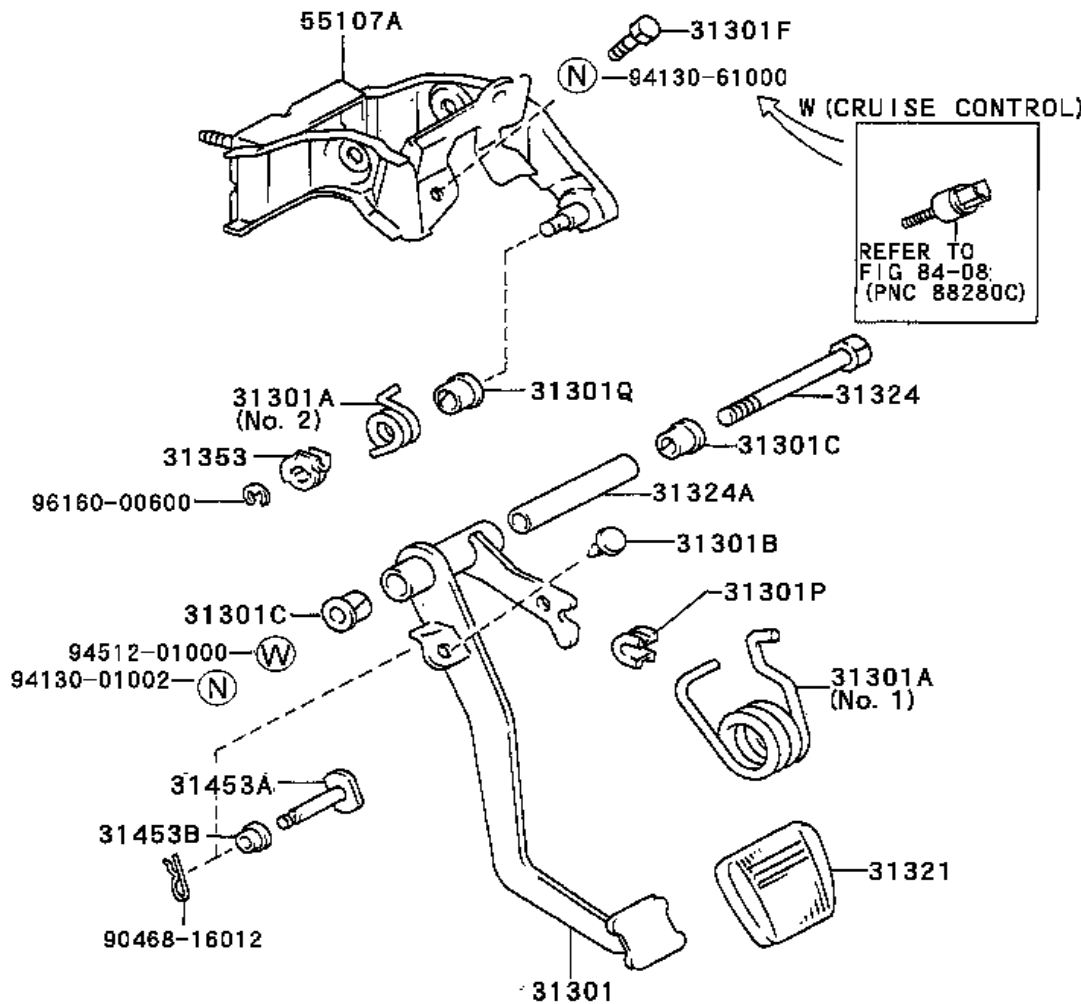
96451-00600

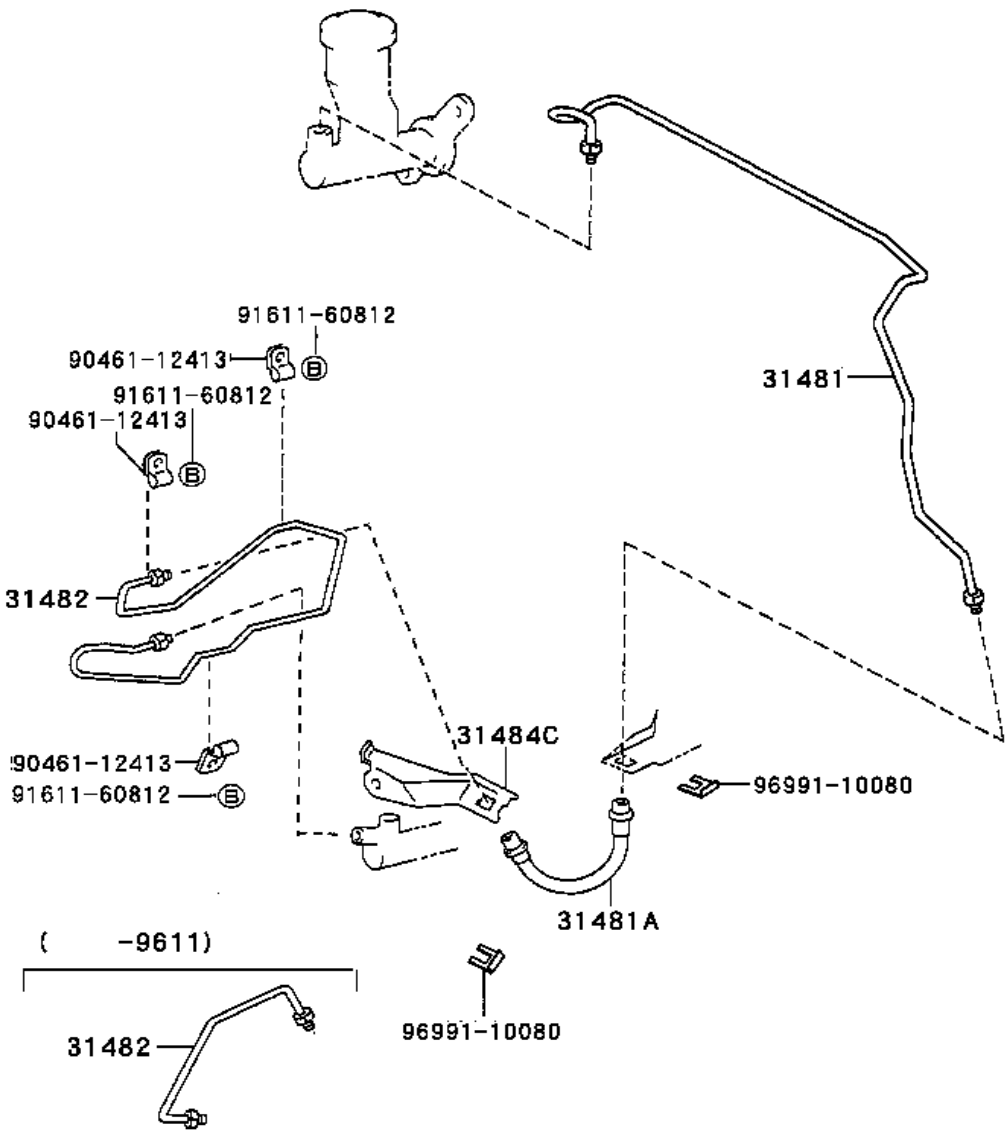


37100E

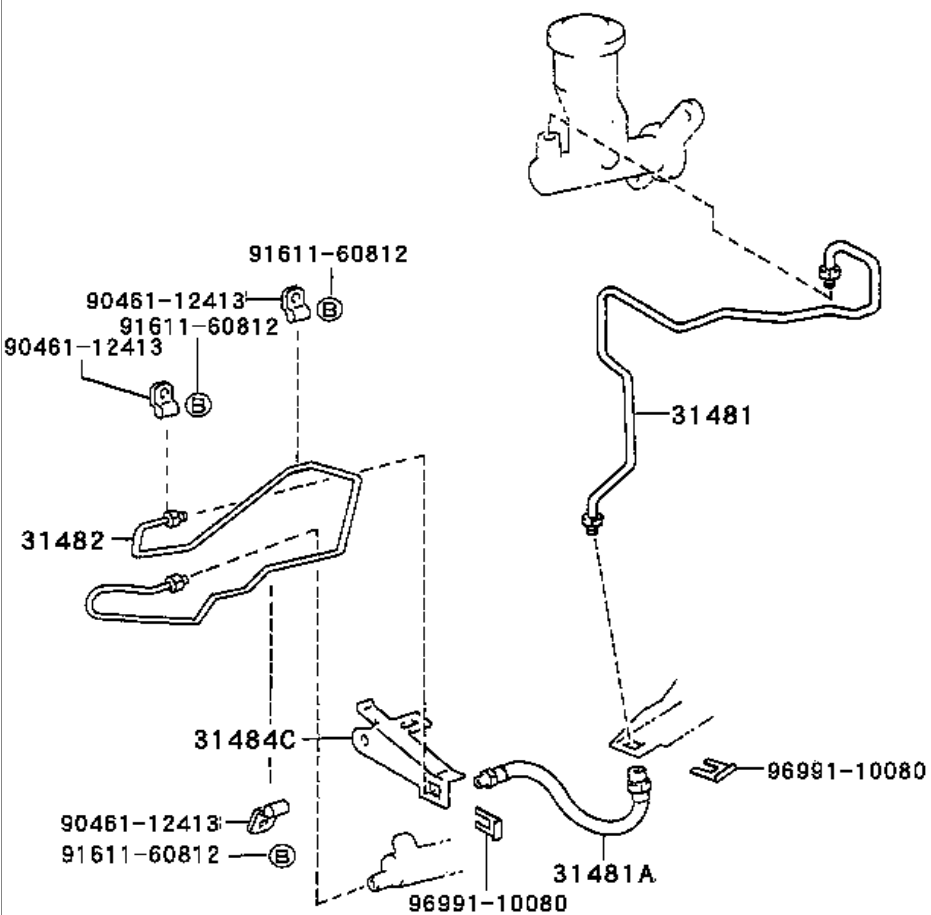
37100F

370002



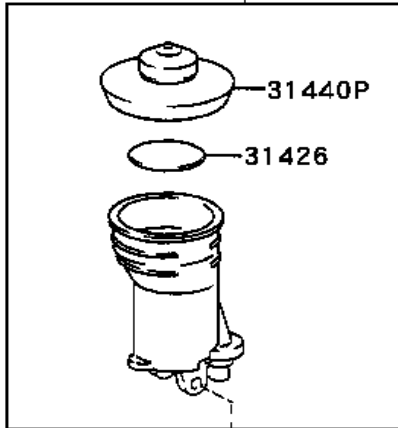




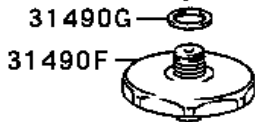
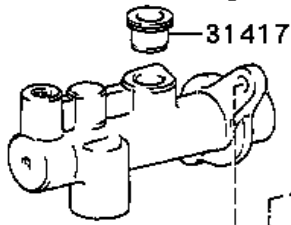


31410

31402



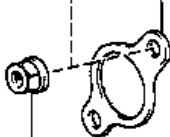
90254-05009



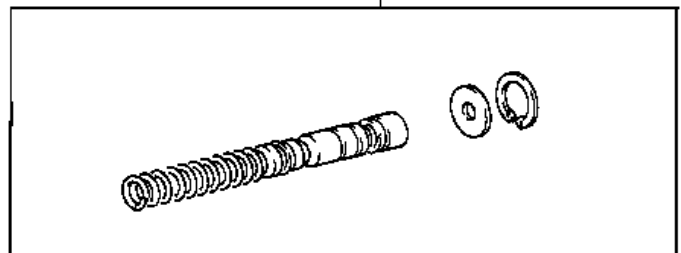
94120-40800



31415



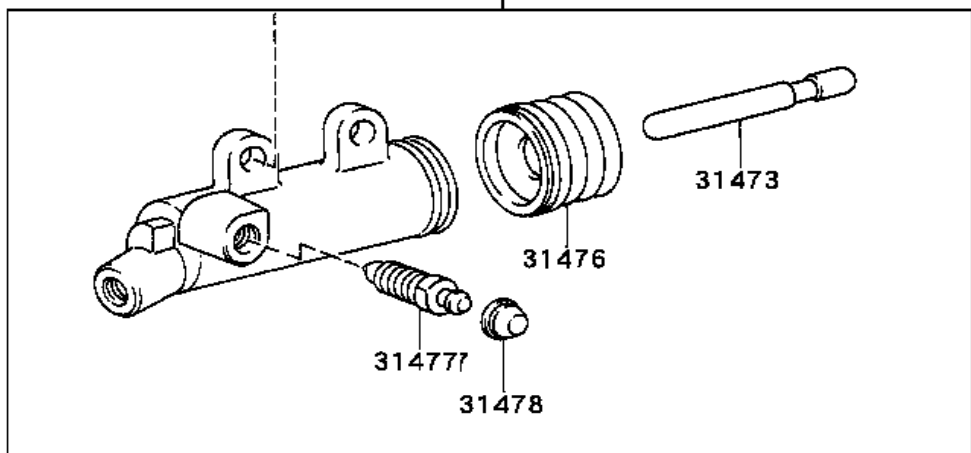
04311



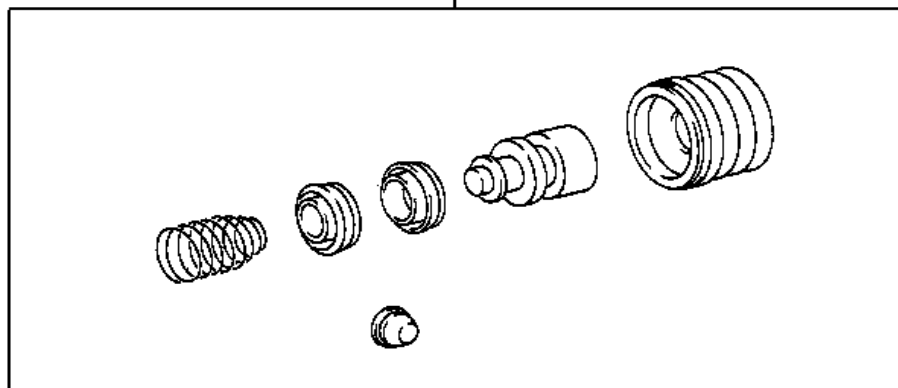
31470A



31470

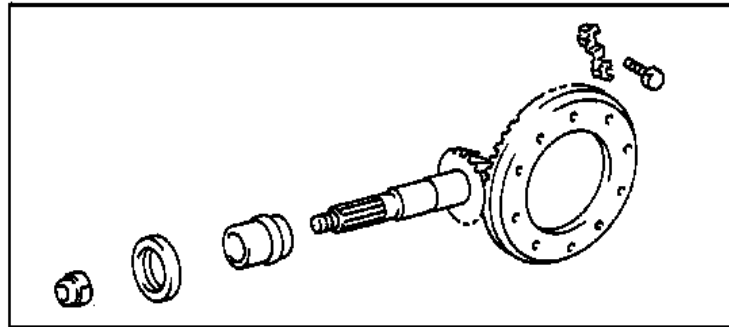
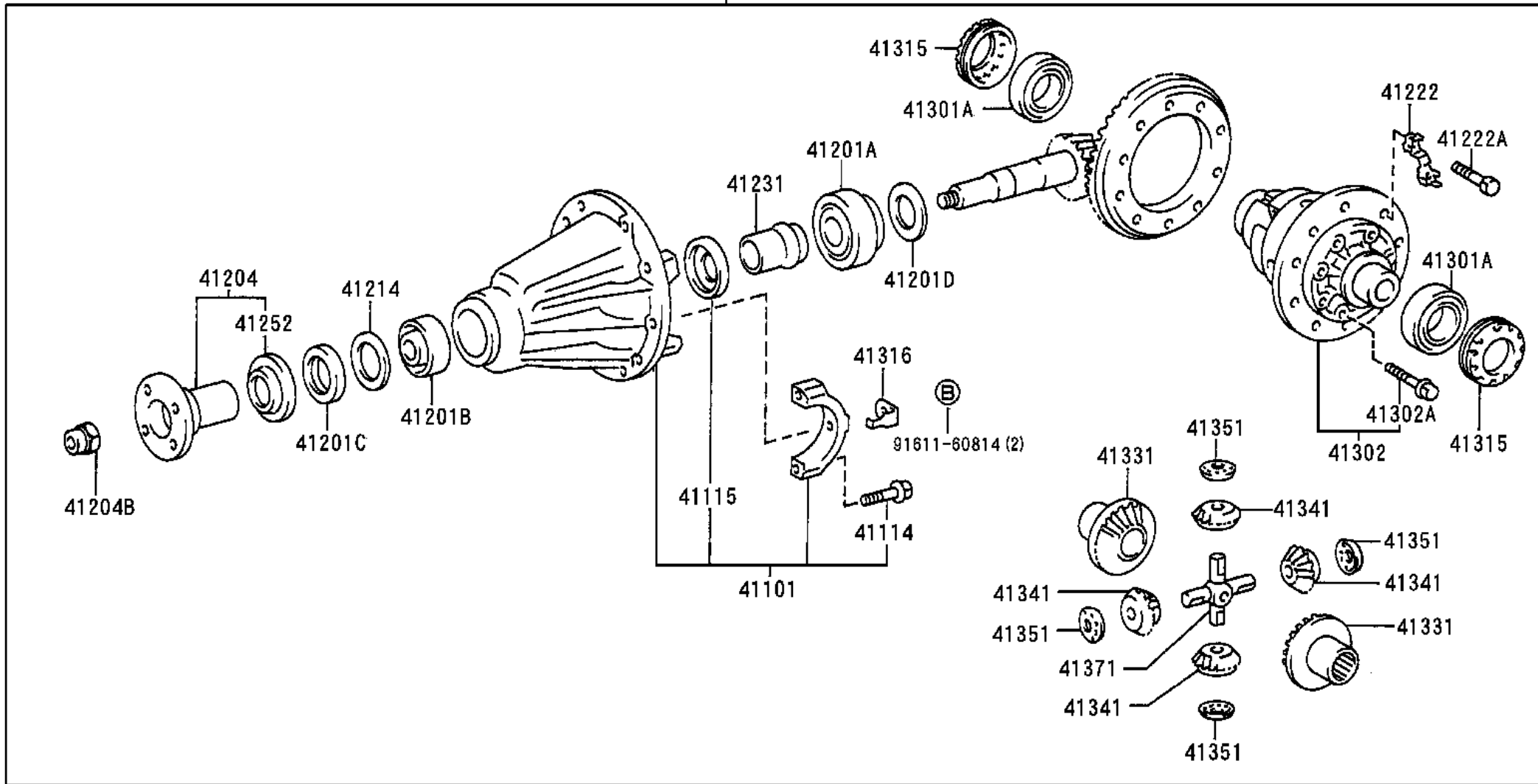


04313



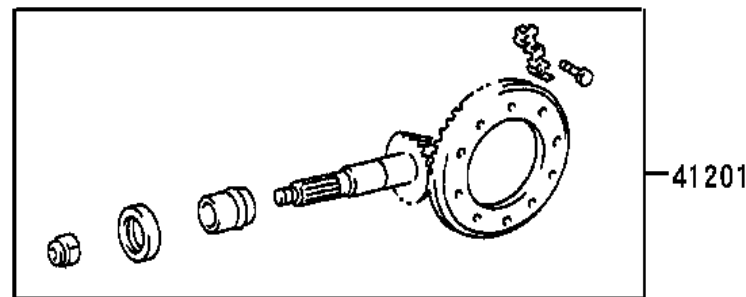
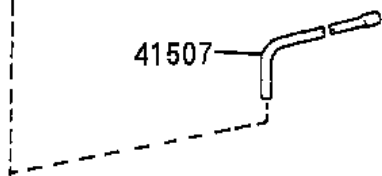
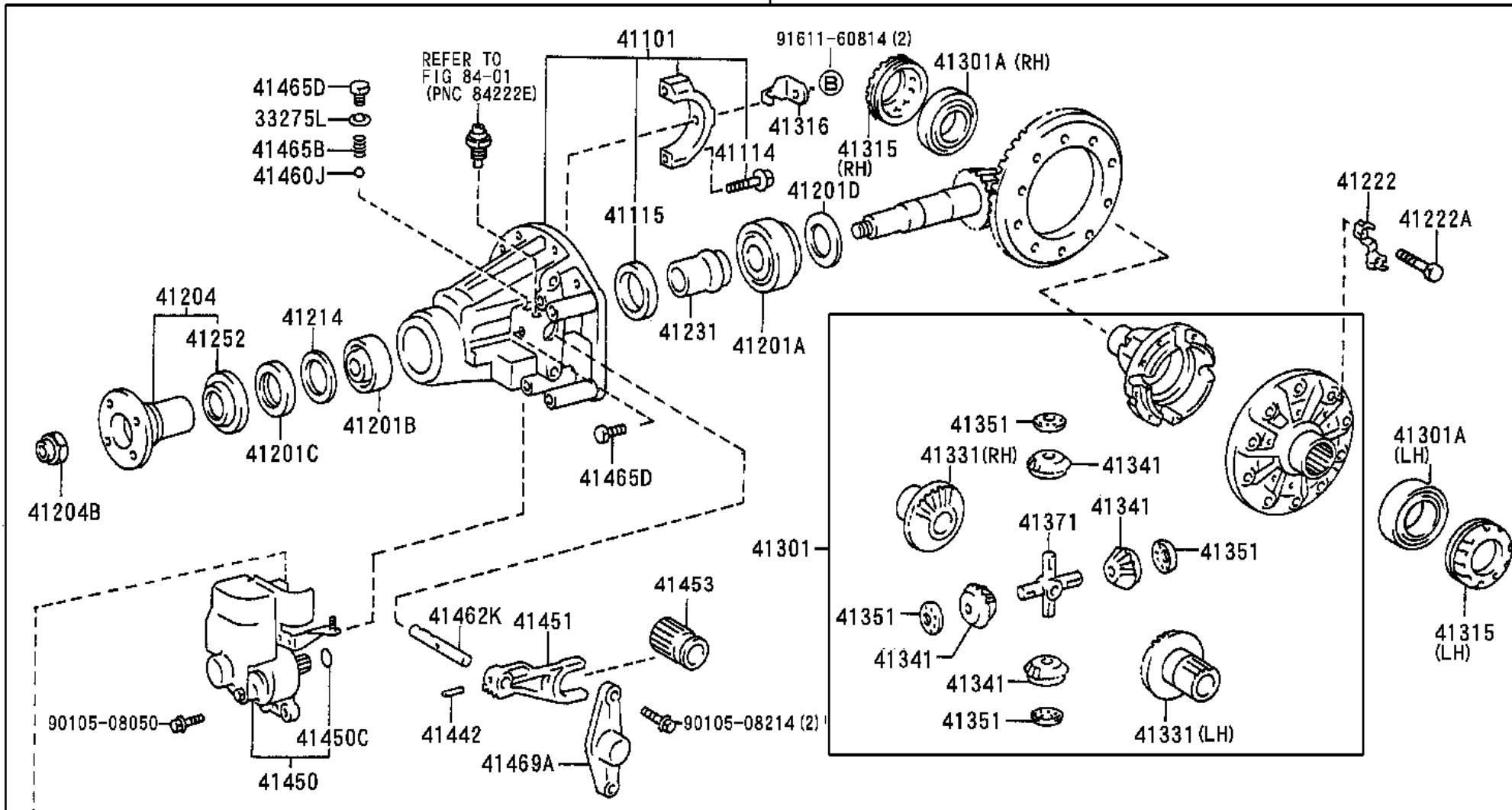
310008

41110

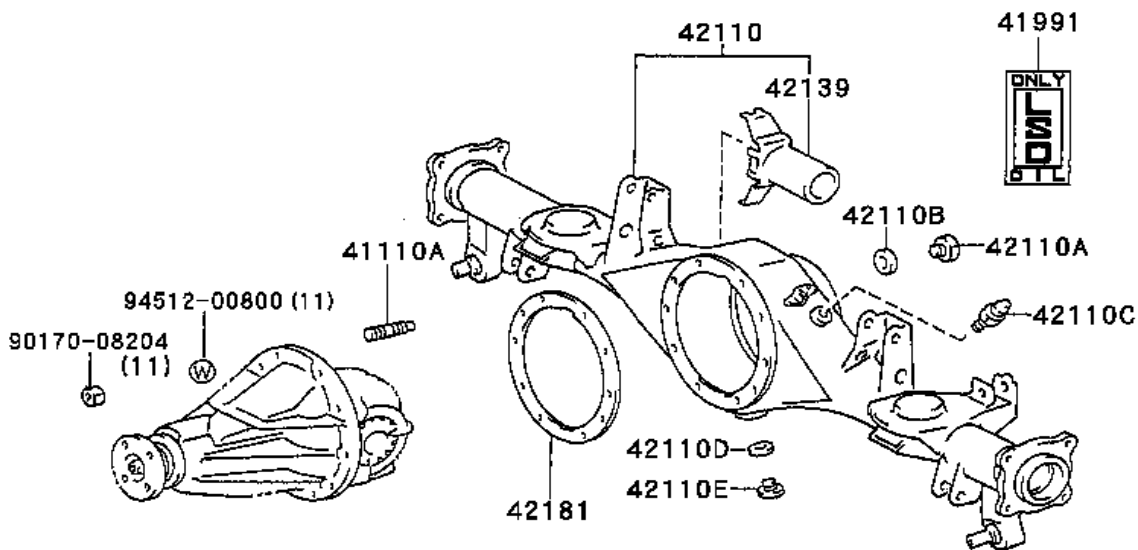
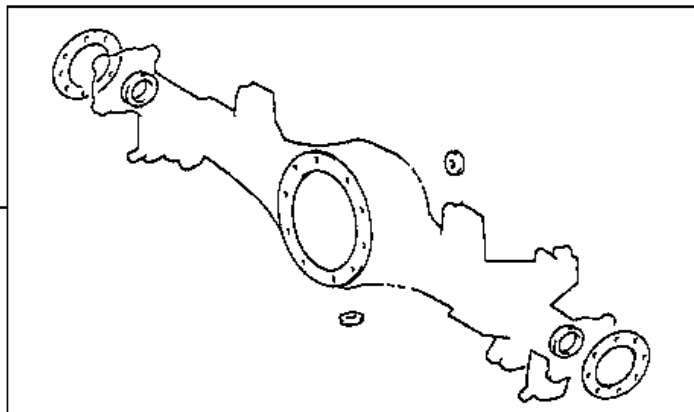


41201





04412



410812

42311T (RH)  
42312D (LH)

42311V (RH)  
42312C (LH)

REFER TO FIG 46-01

42311M (RH)  
42312A (LH)

42421F (RH)  
42422B (LH)

REFER TO  
FIG 46-01  
(PNC 46503A)

42311U (RH)  
42312E (LH)

42311F

42311E

42423A (RH)  
42423B (LH)  
(NO. 1)

42421D (RH)  
42422 (LH)

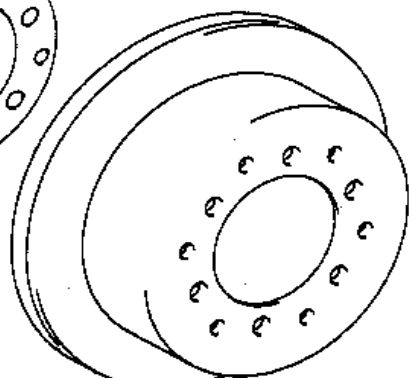
42441A (RH)  
42441B (LH)

42443A (RH)  
42443B (LH)

42311L (RH)  
42312 (LH)

42444A

W (ABS)



42431

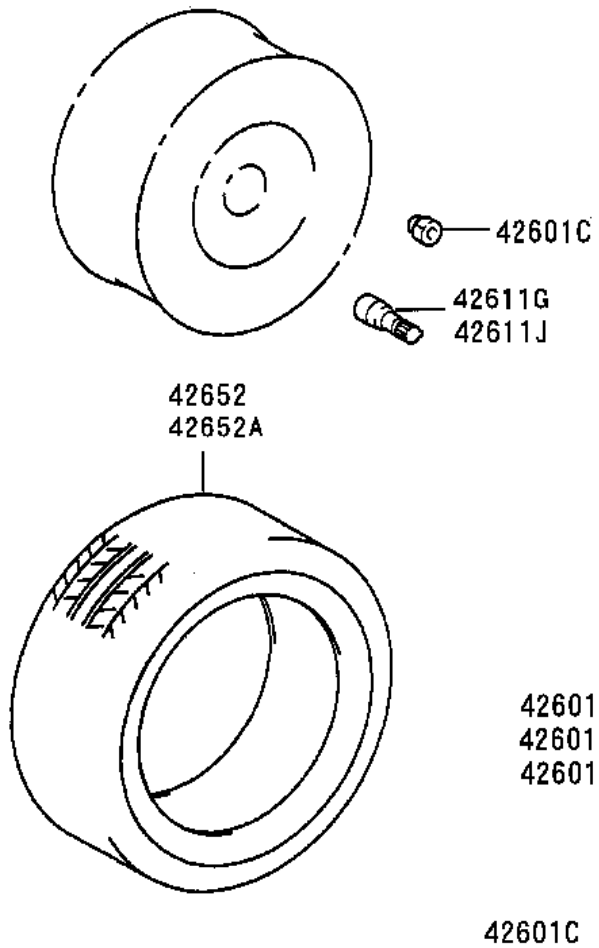
42423A (RH)  
42423B (LH)  
(NO. 1)

43517

42423A (RH)  
42423B (LH)  
(NO. 2)

410011B



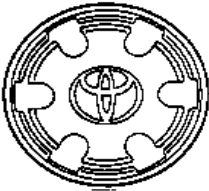
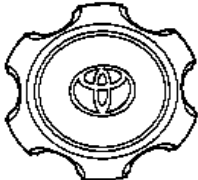



TYPE	A		TYPE	B	
SIZE	16X6J		SIZE	16X6JJ	
	STEEL			ALUMINUM	
	STEEL			ALUMINUM	

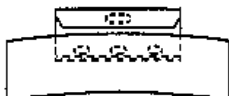
TYPE	C		TYPE	D	
SIZE	16X7JJ		SIZE	16X7JJ	
	ALUMINUM			ALUMINUM	

TYPE	E		TYPE	F		TYPE	G	
SIZE	16X7JJ		SIZE	16X7JJ		SIZE	16X7JJ	
	ALUMINUM			ALUMINUM			ALUMINUM	

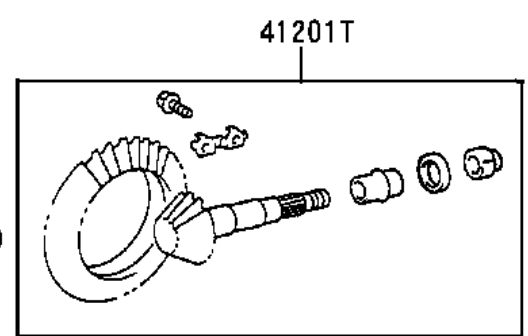
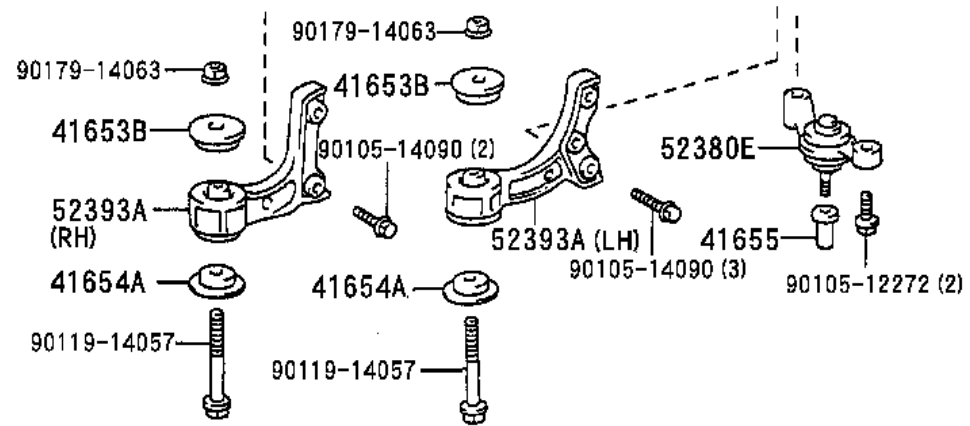
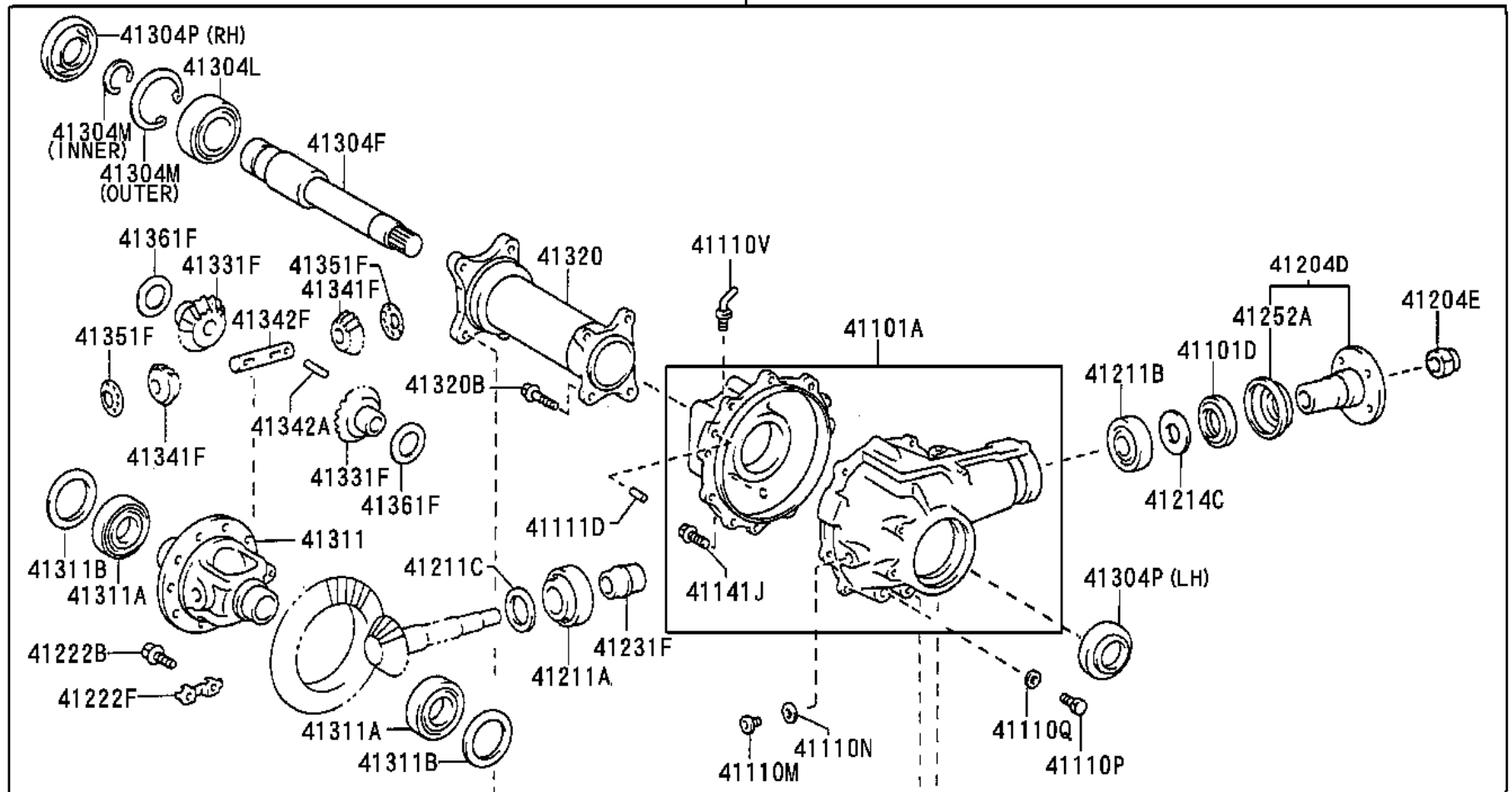
42603

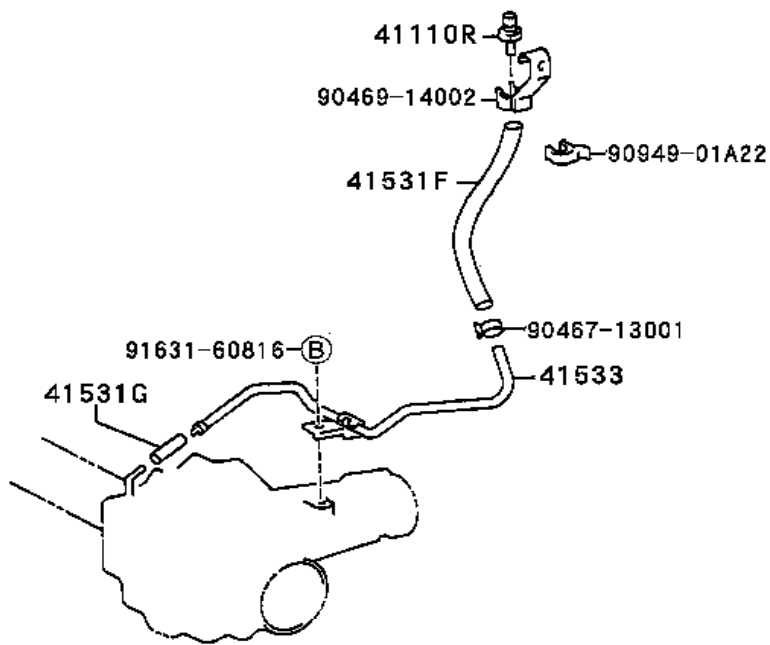
TYPE	A	TYPE	B	TYPE	C	
						

**BALANCE WHEIGHT (FOR DISC WHEEL)**



WHEIGHT	PART NUMBER	WHEIGHT	PART NUMBER
5G	90942-03218	5G	90942-03167
10G	90942-03107	7.5G	90942-03208
15G	90942-03219	10G	90942-03146
20G	90942-03079	12.5G	90942-03209
25G	90942-03220	15G	90942-03147
30G	90942-03080	17.5G	90942-03210
35G	90942-03221	20G	90942-03148
40G	90942-03081	22.5G	90942-03211
45G	90942-03222	25G	90942-03149
50G	90942-03082	27.5G	90942-03212
55G	90942-03223	30G	90942-03150
60G	90942-03083	32.5G	90942-03213
65G	90942-03224	35G	90942-03151
70G	90942-03084	37.5G	90942-03214
75G	90942-03225	40G	90942-03152
80G	90942-03085	45G	90942-03153
		50G	90942-03154
		55G	90942-03155
		60G	90942-03156

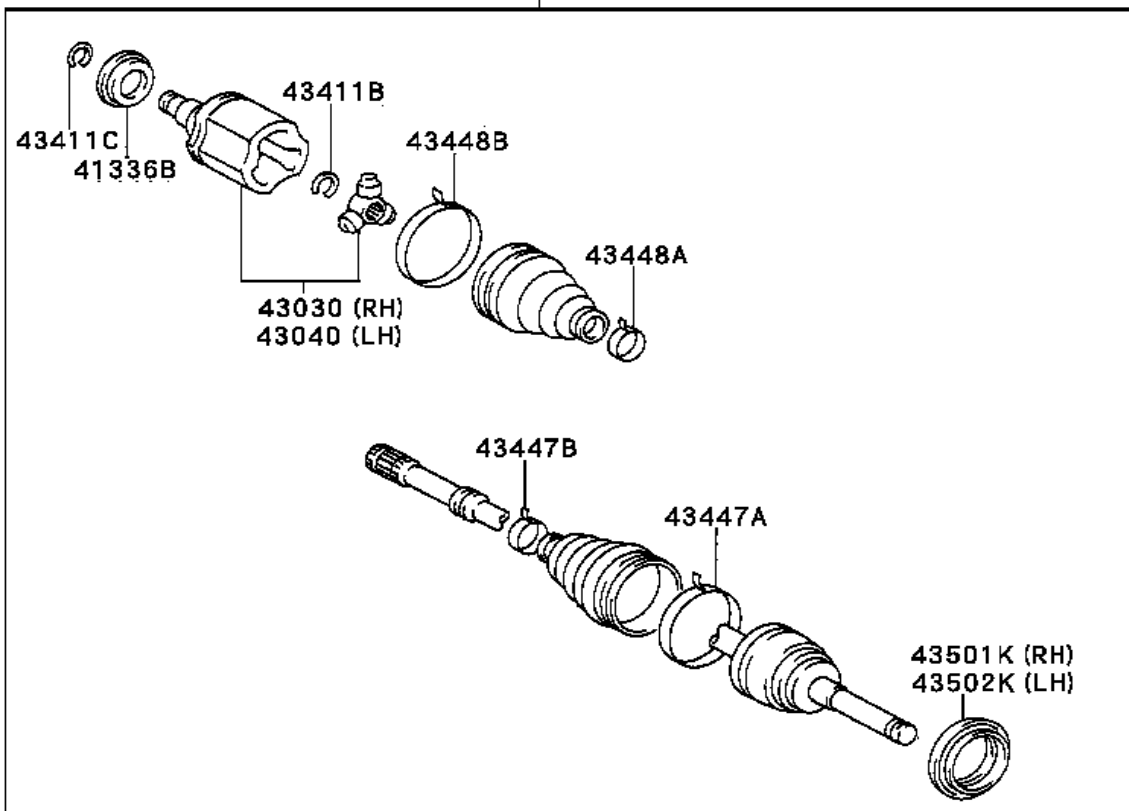




430003-C

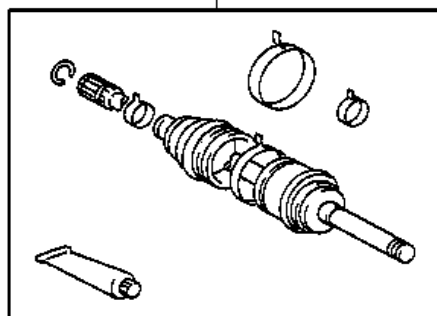
43410 (RH)

43420 (LH)

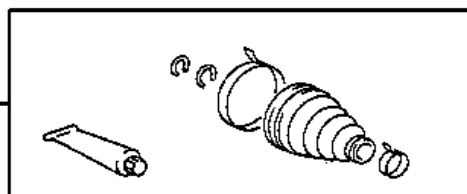


43460 (RH)

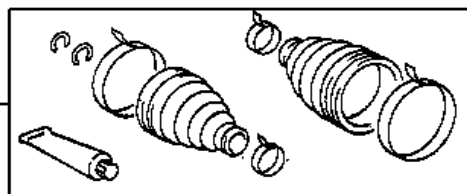
43470 (LH)

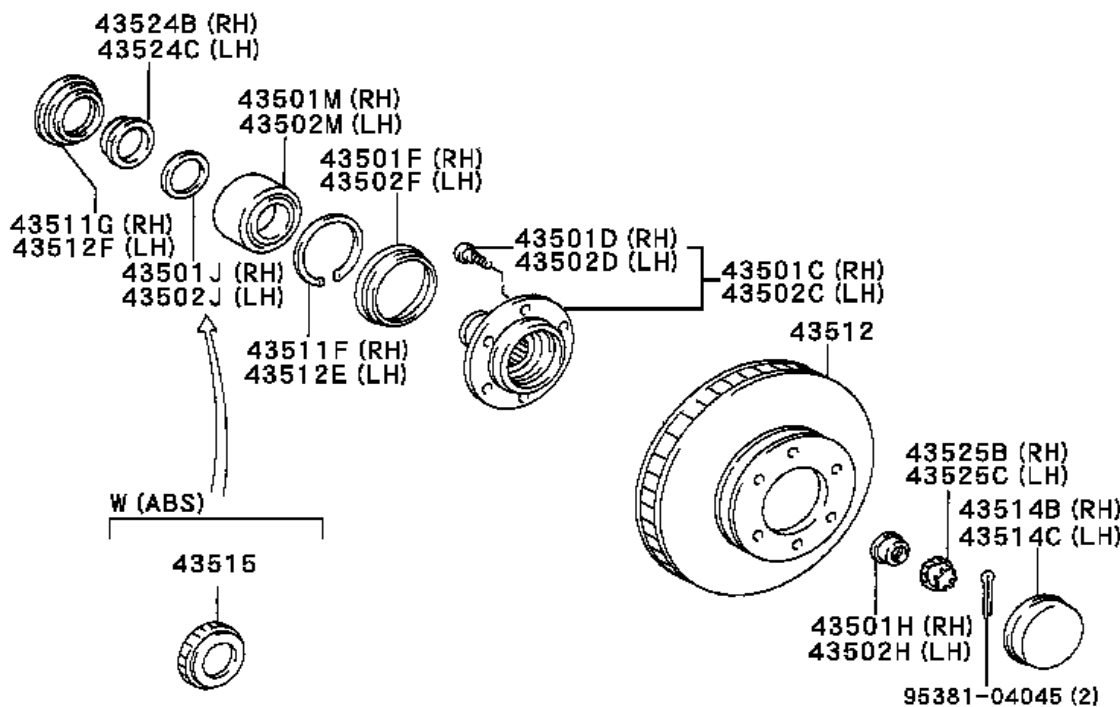


04438A

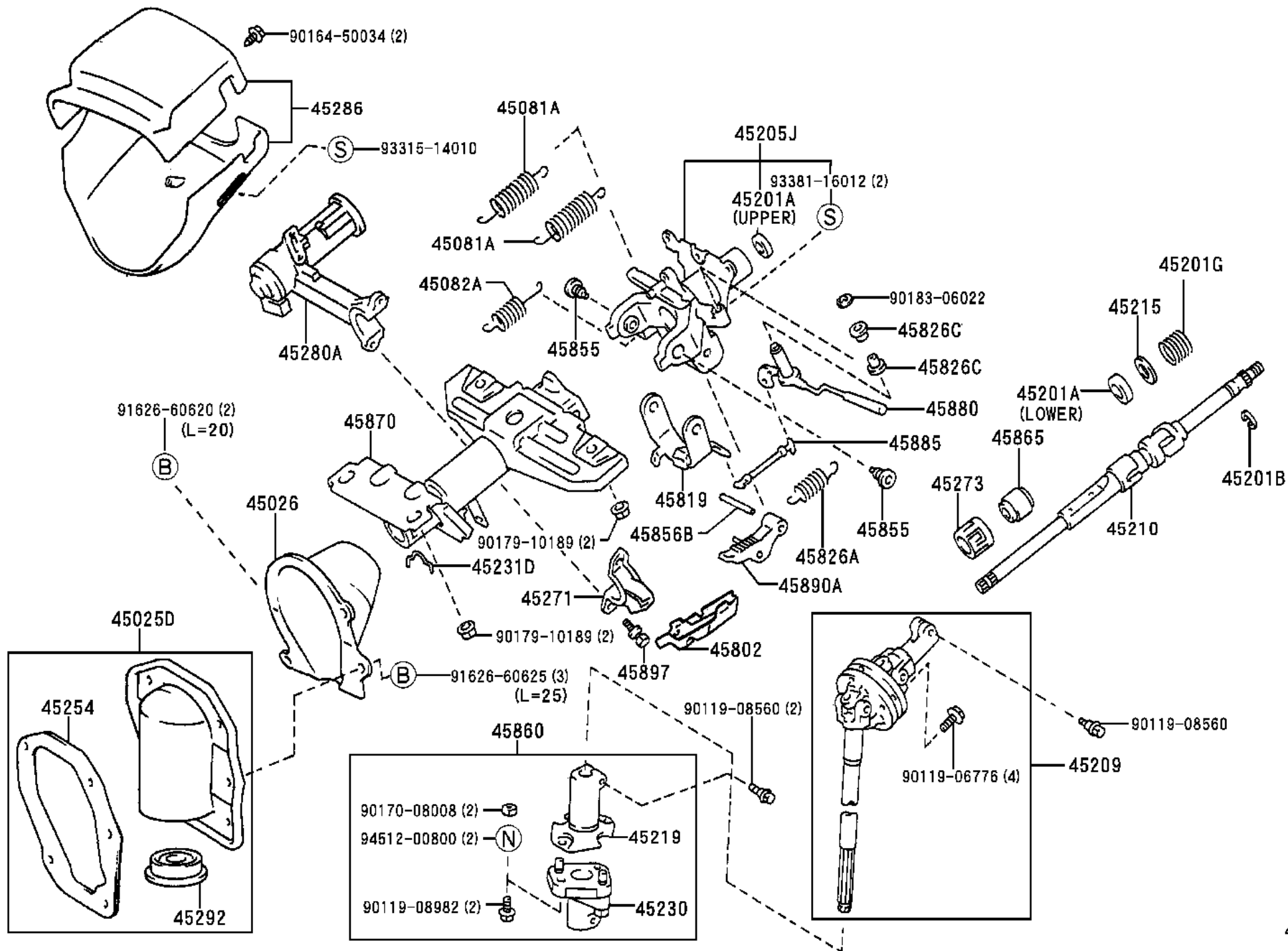


04438

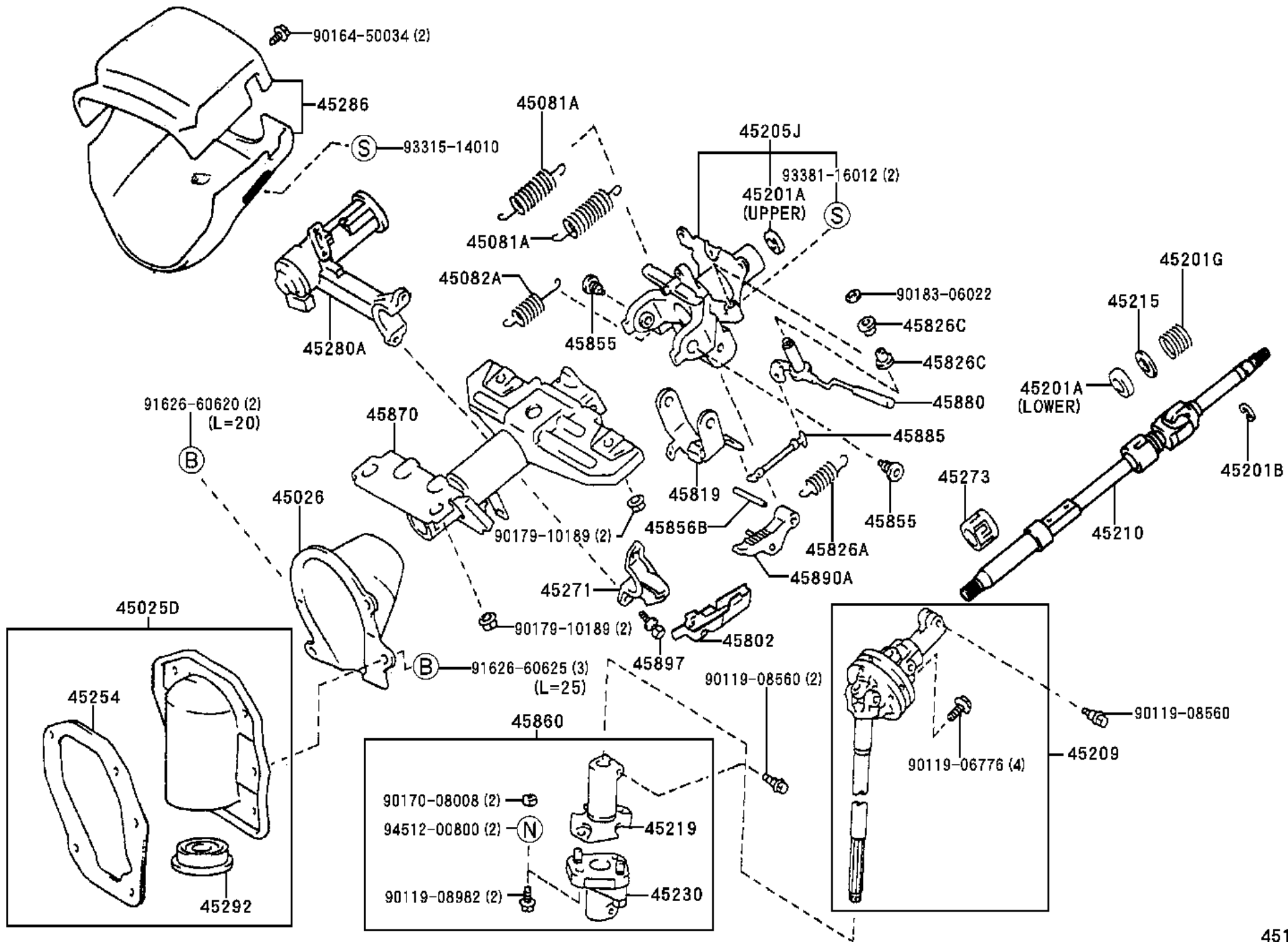




430008-A







44310C



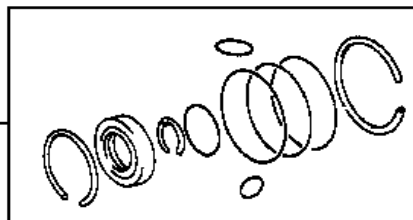
44316

90179-10087 (2)



44310

04446



44308



44338A



44330



44330A



44312B



44302G



44302H



44312

44312A



44302



44316

44337A



44337



90119-08469 (2)



44326A



44345B



44326



44324A



44324C



44324C



44324B



90206-30002

44342



44341



44341A  
(INNER)



44326A

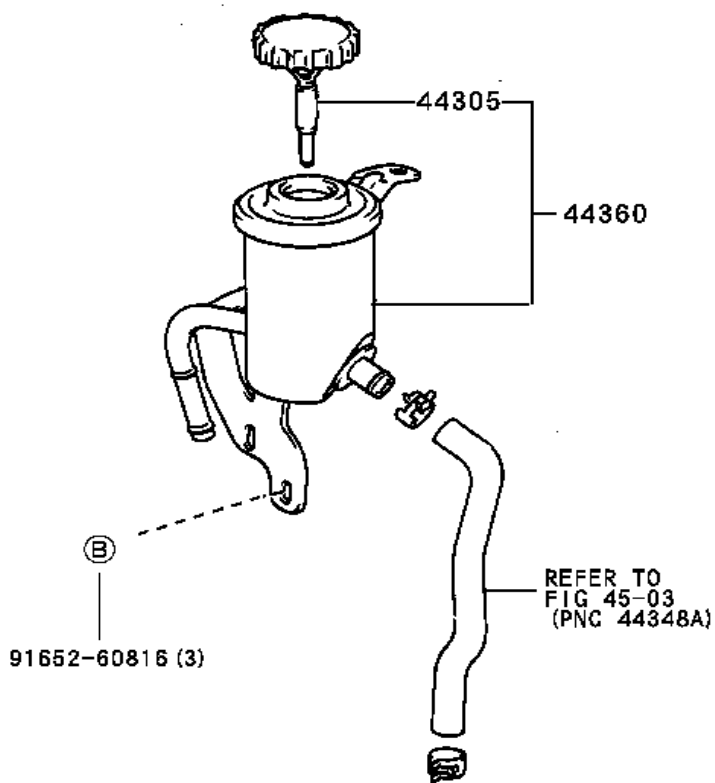


44313

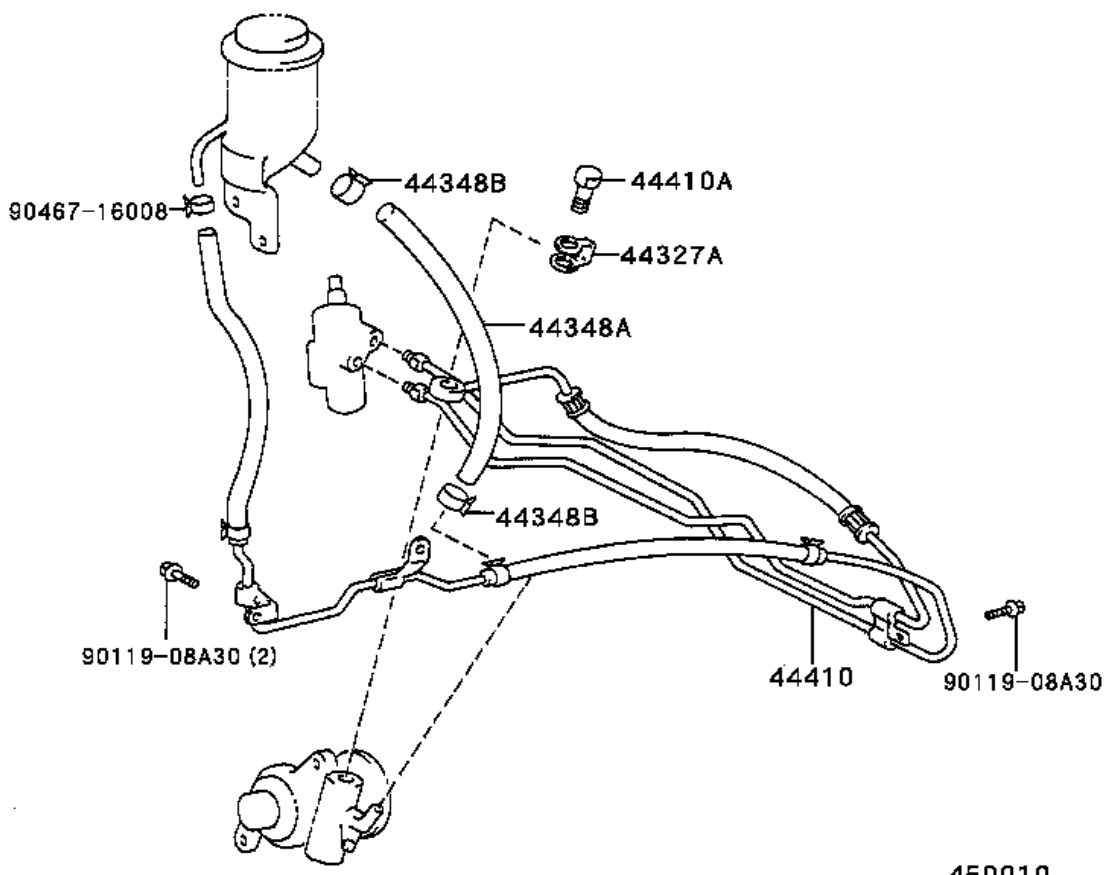


44324C  
(OUTER)

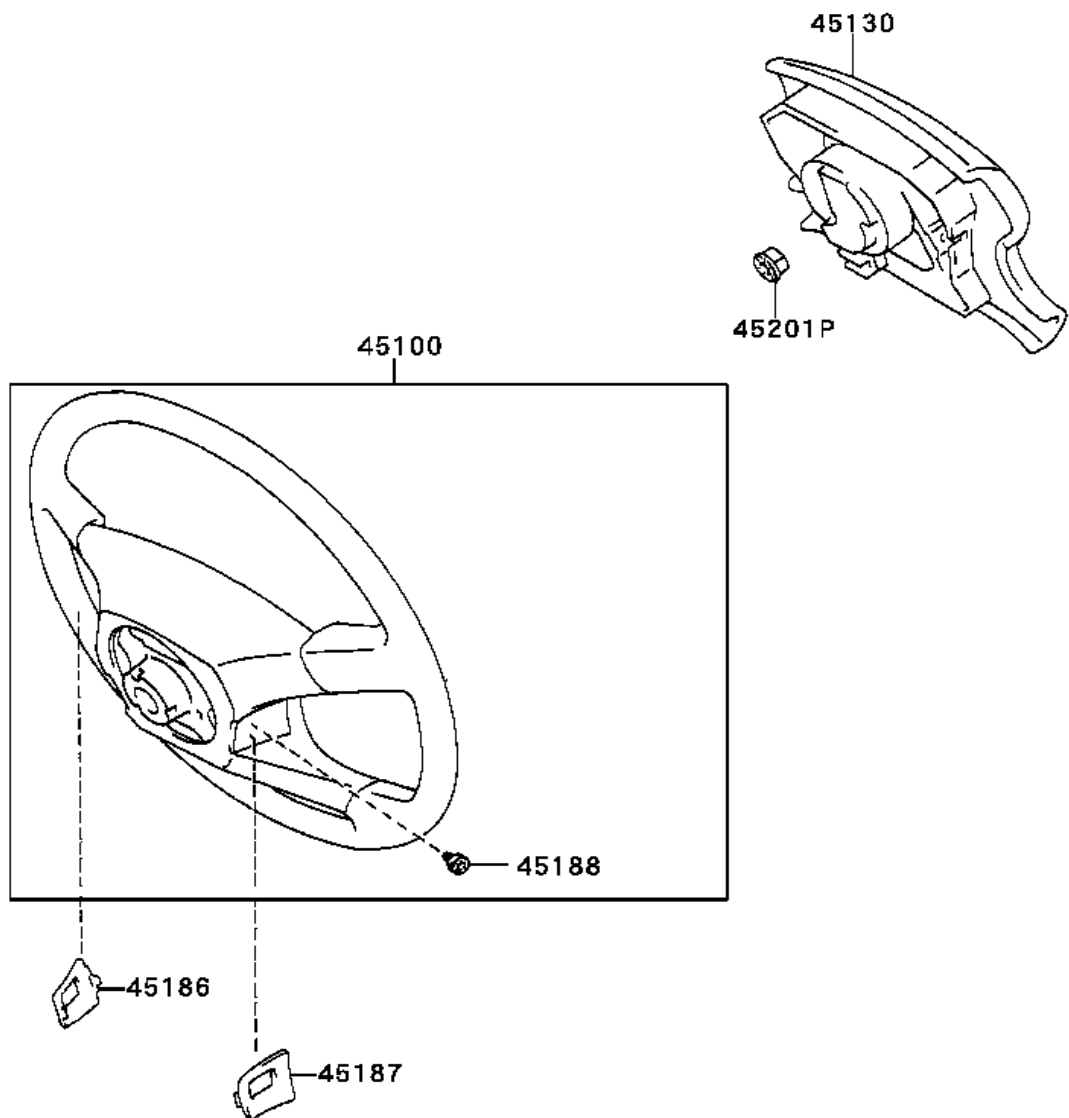


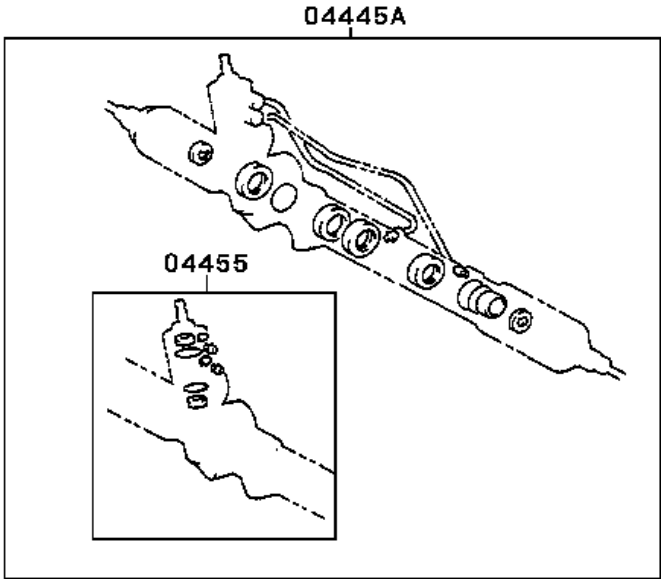
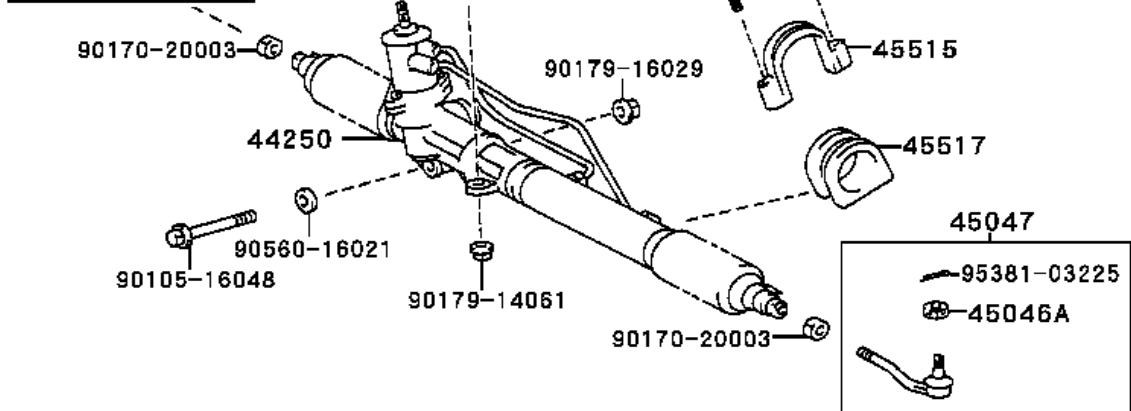
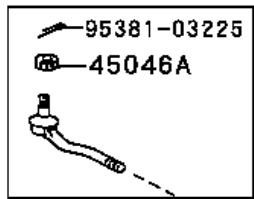


450002

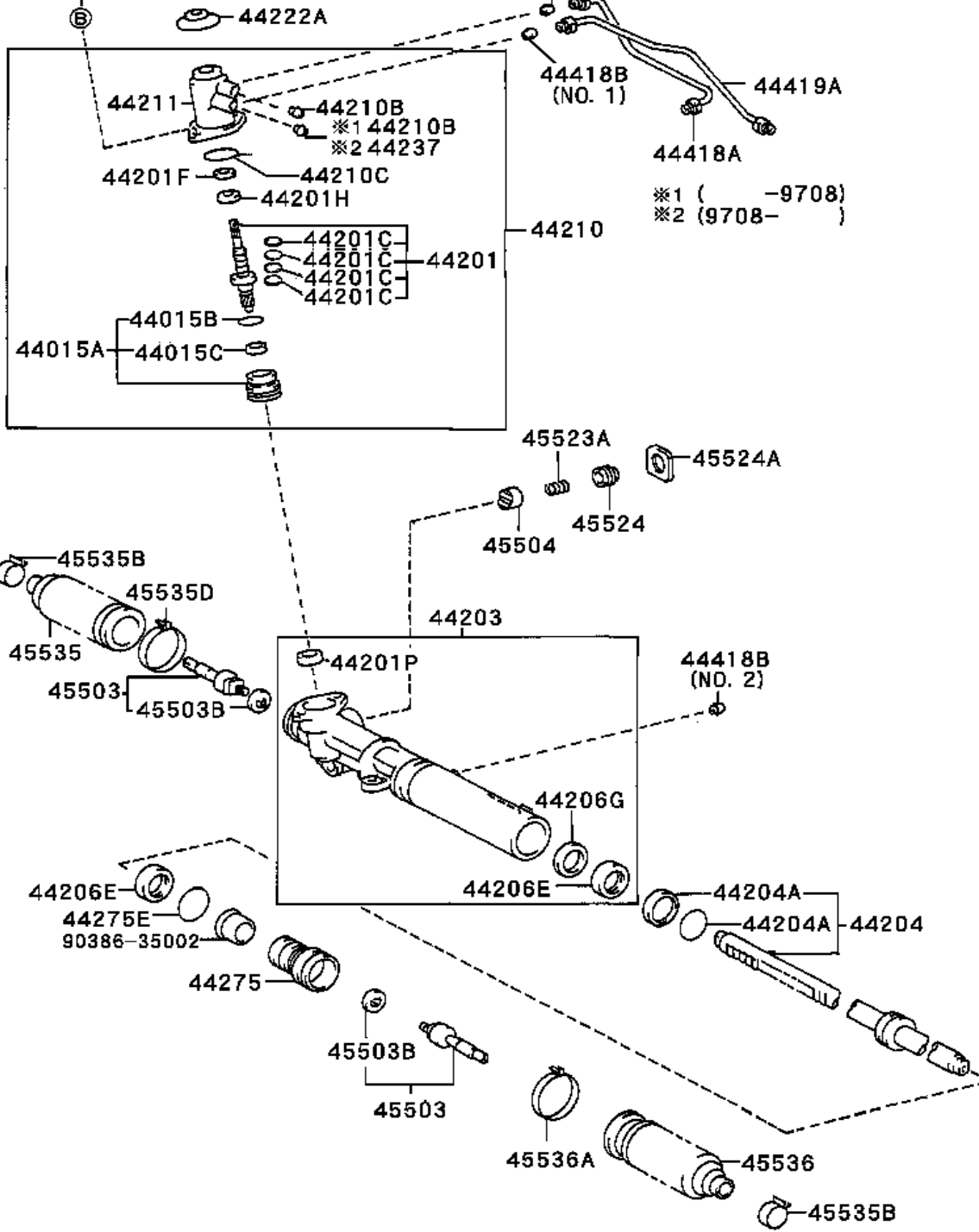


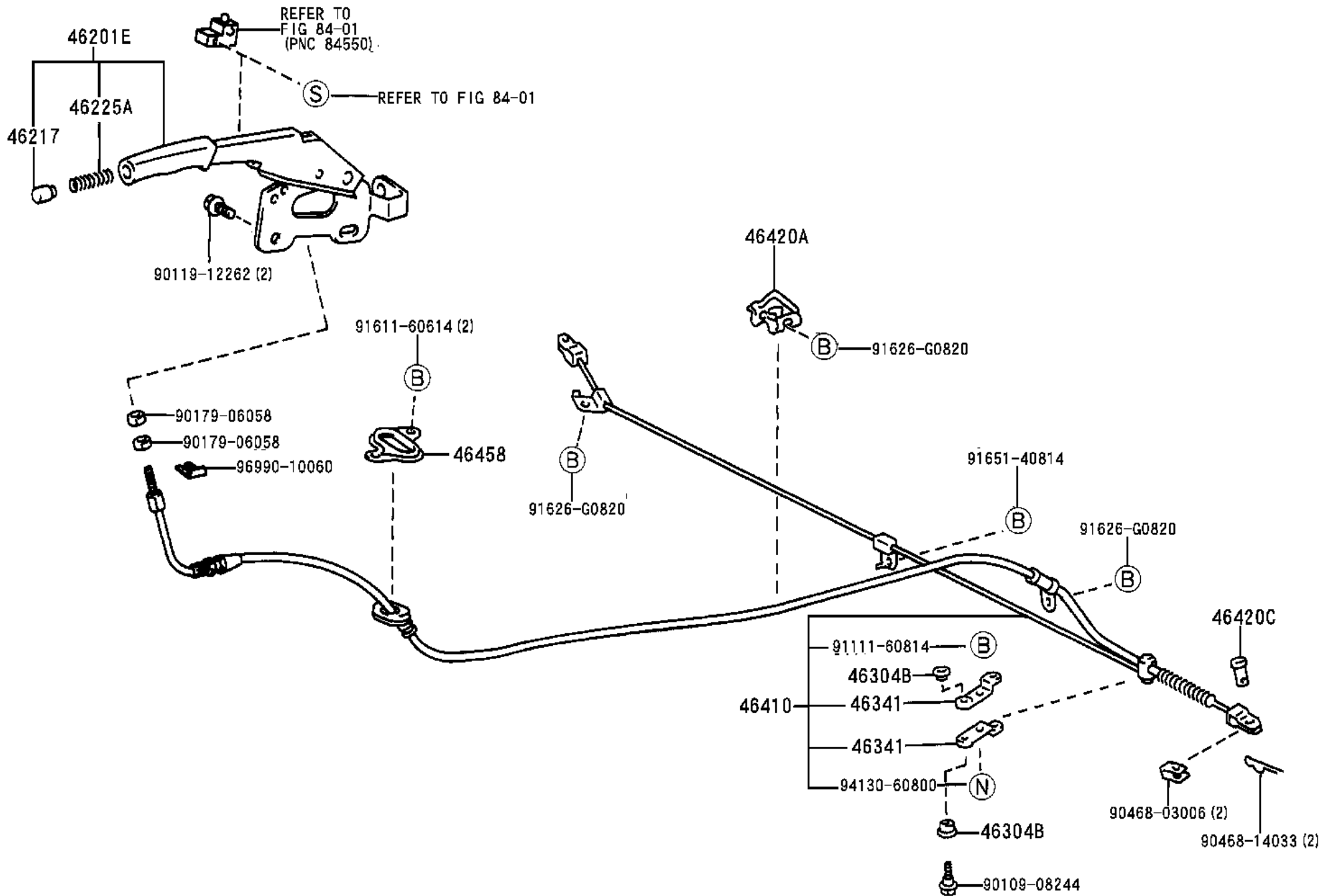
450010





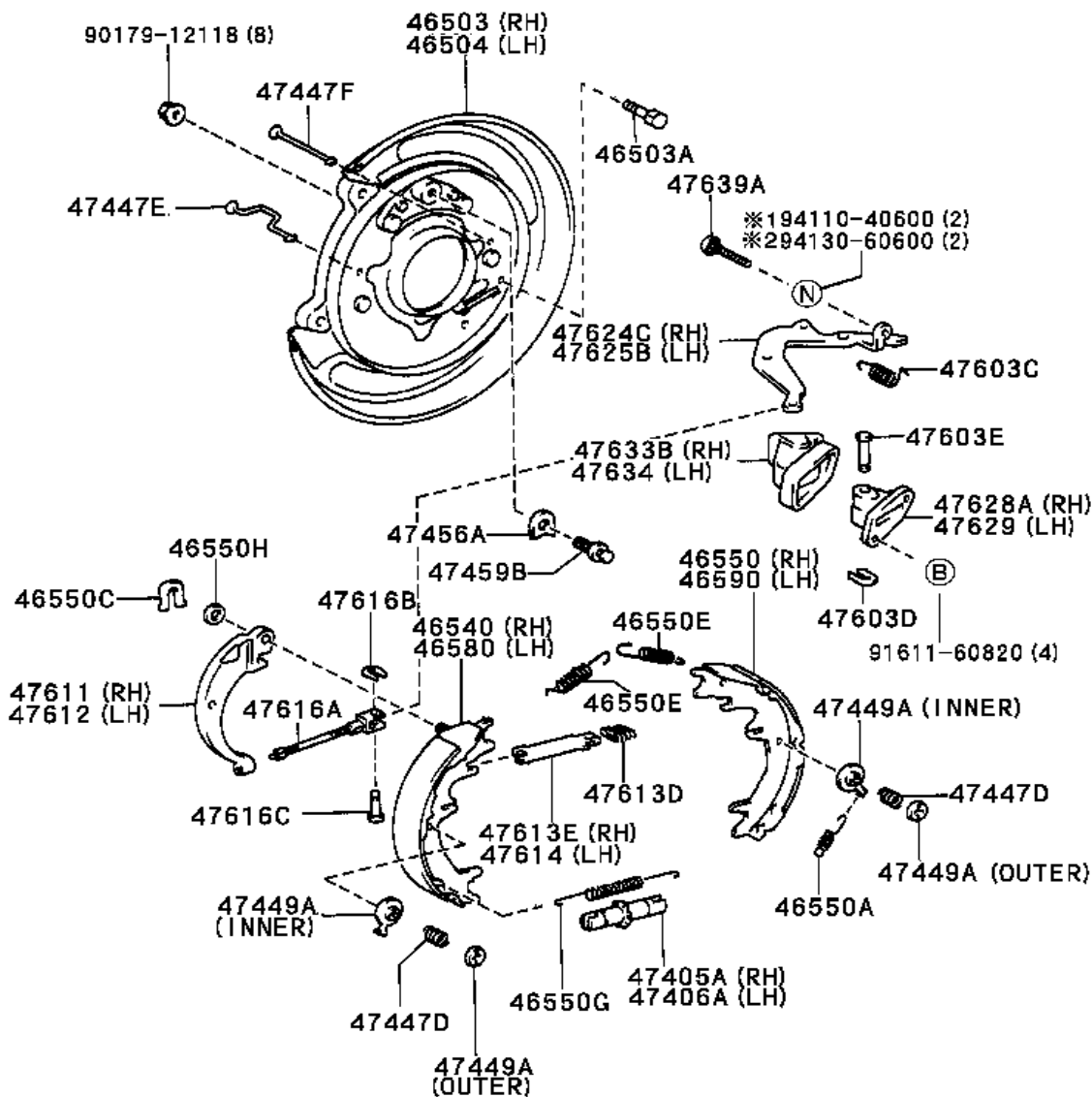
91511-60825 (2)



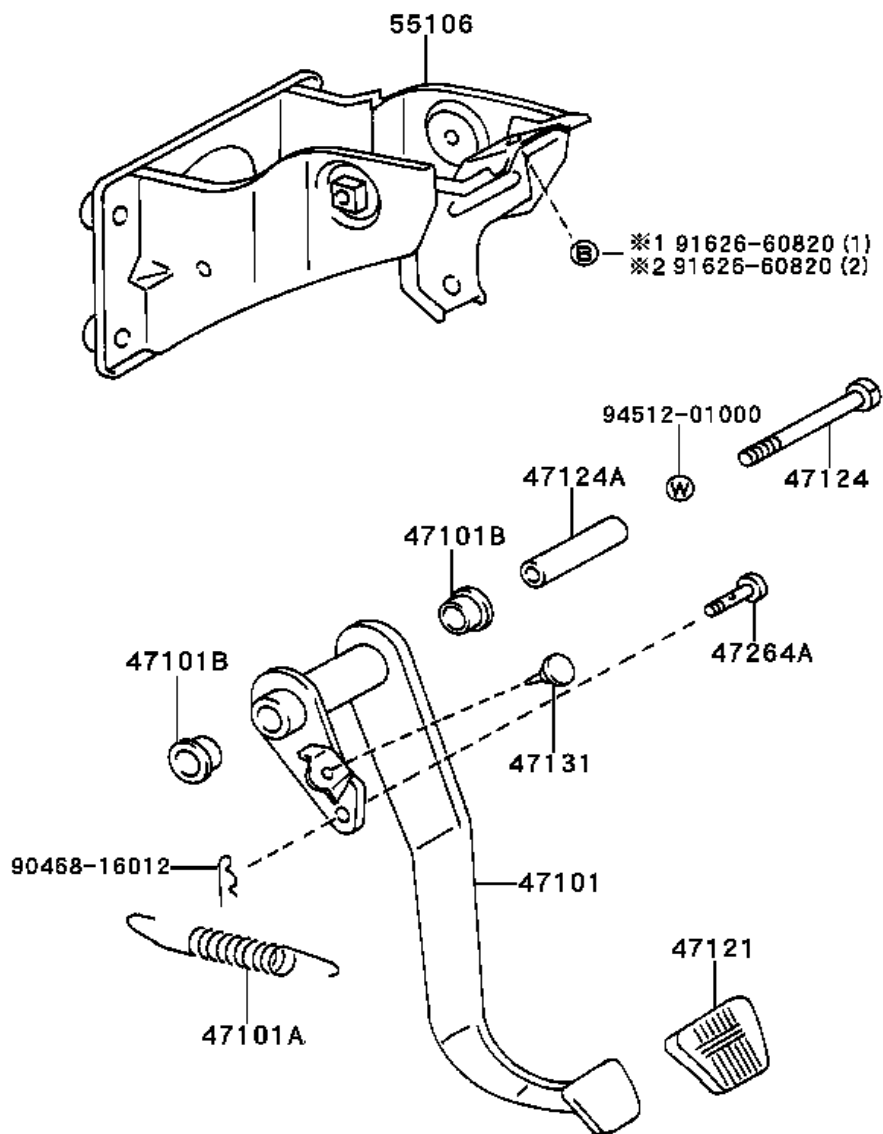




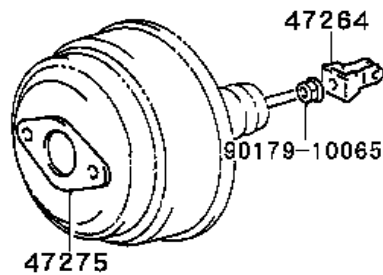
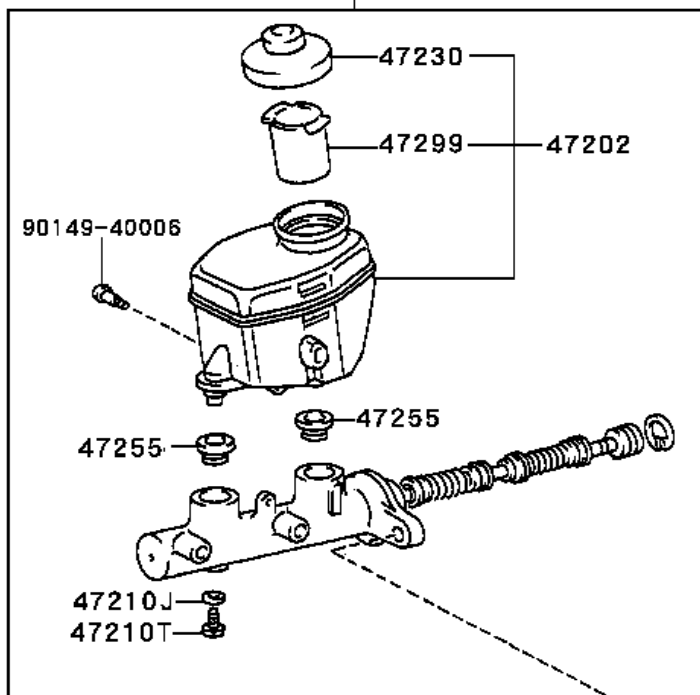
※1 ( -9906 )  
 ※2 ( 9906 - )



※1 ATM  
※2 MTM

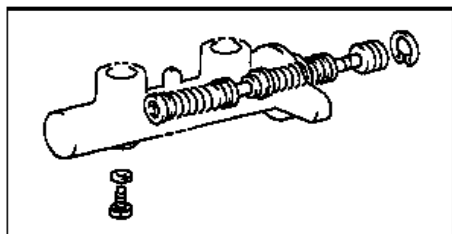


47201



90179-08146 (2)

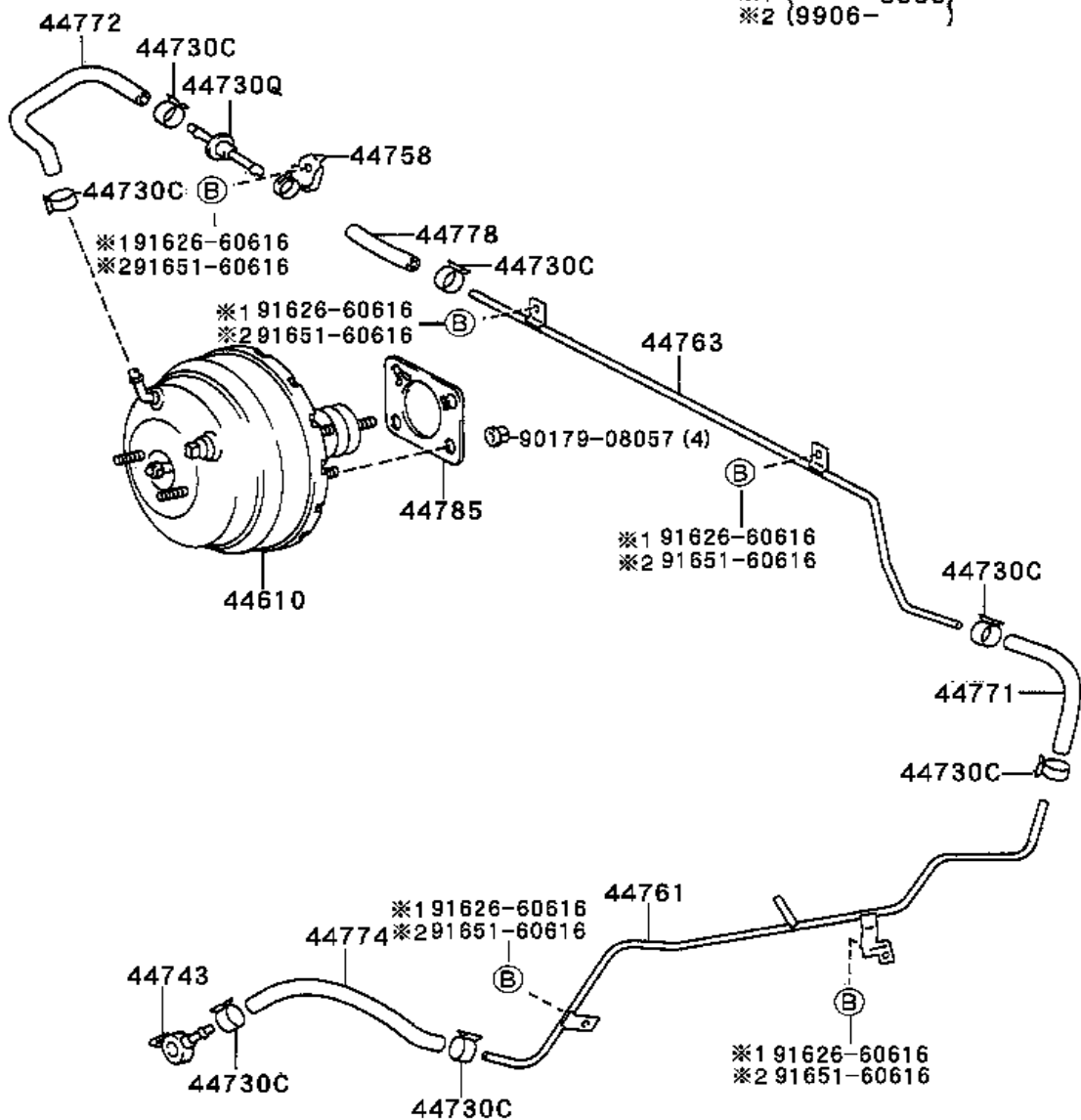
REFER TO FIG 82-02

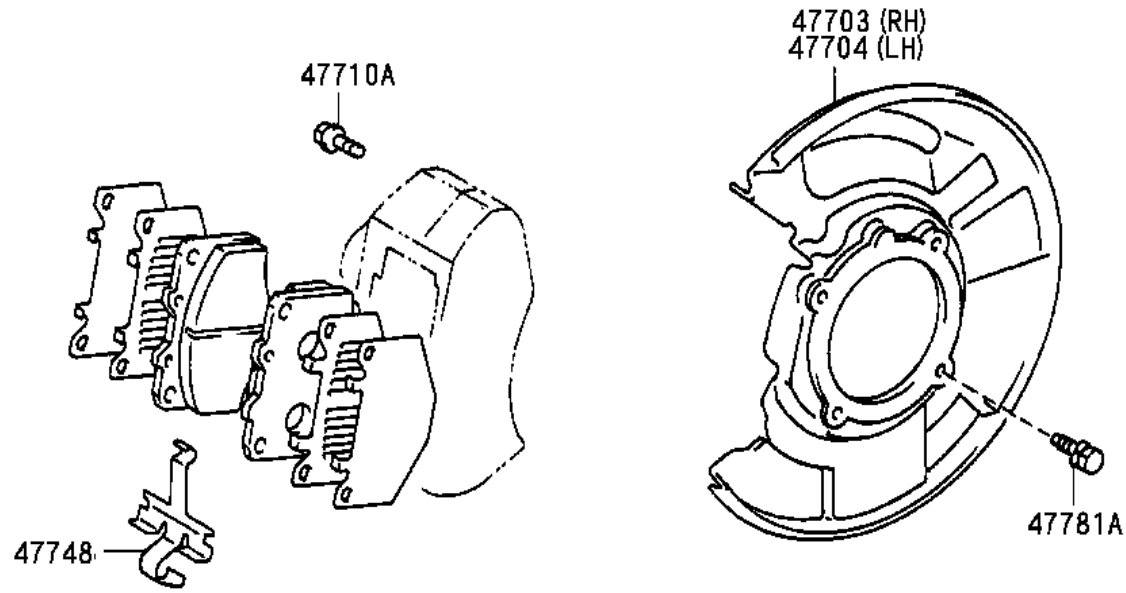


04493

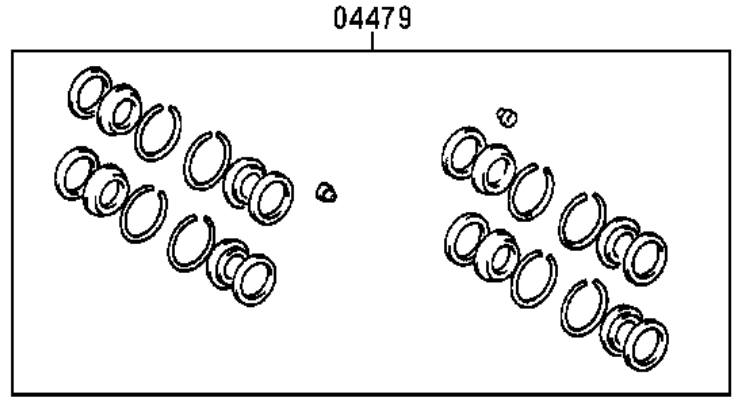
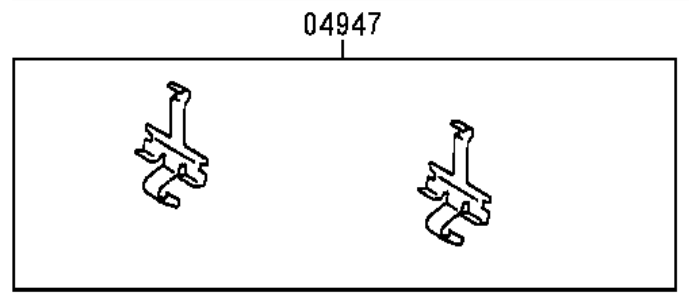
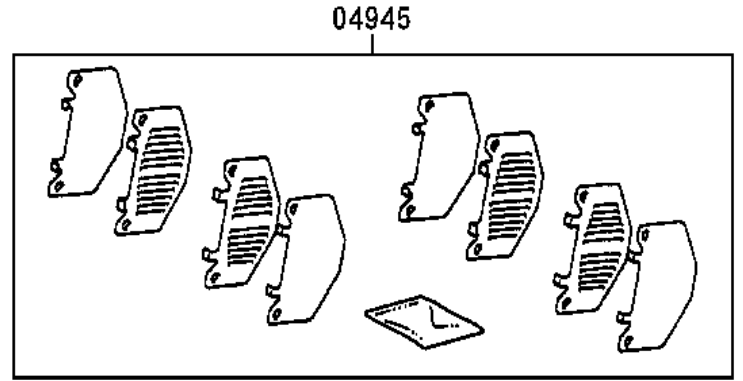
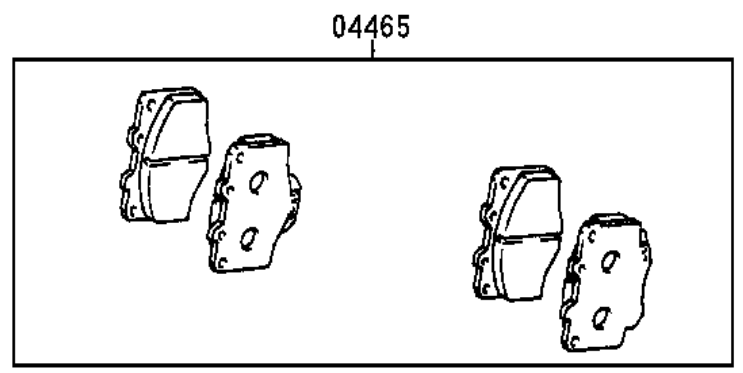
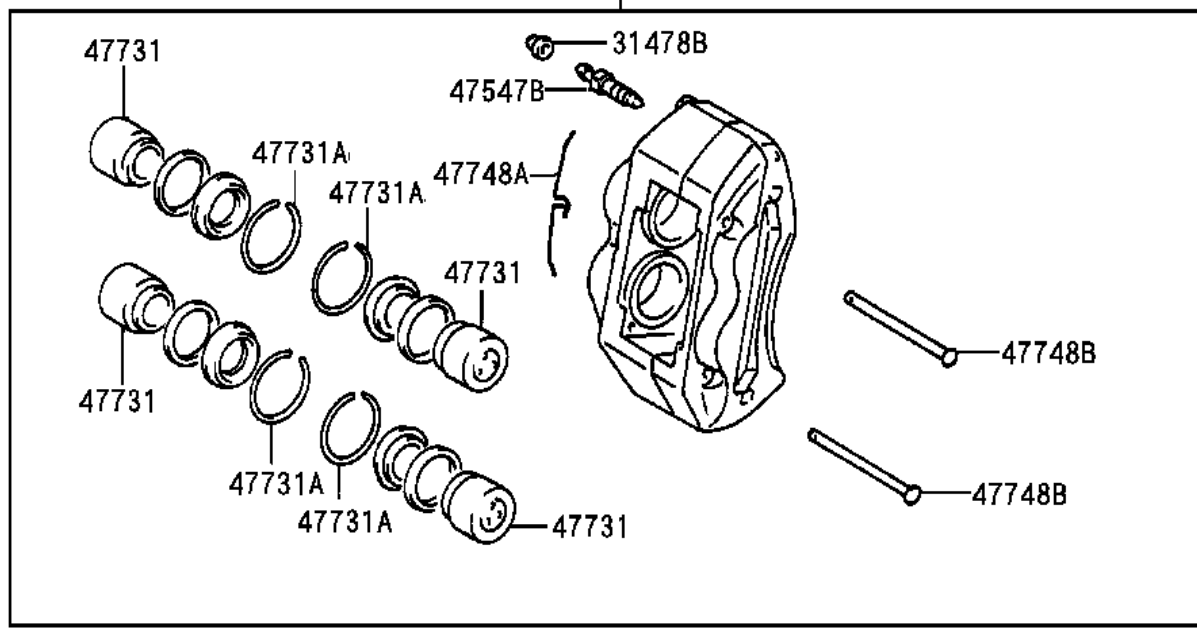
470006

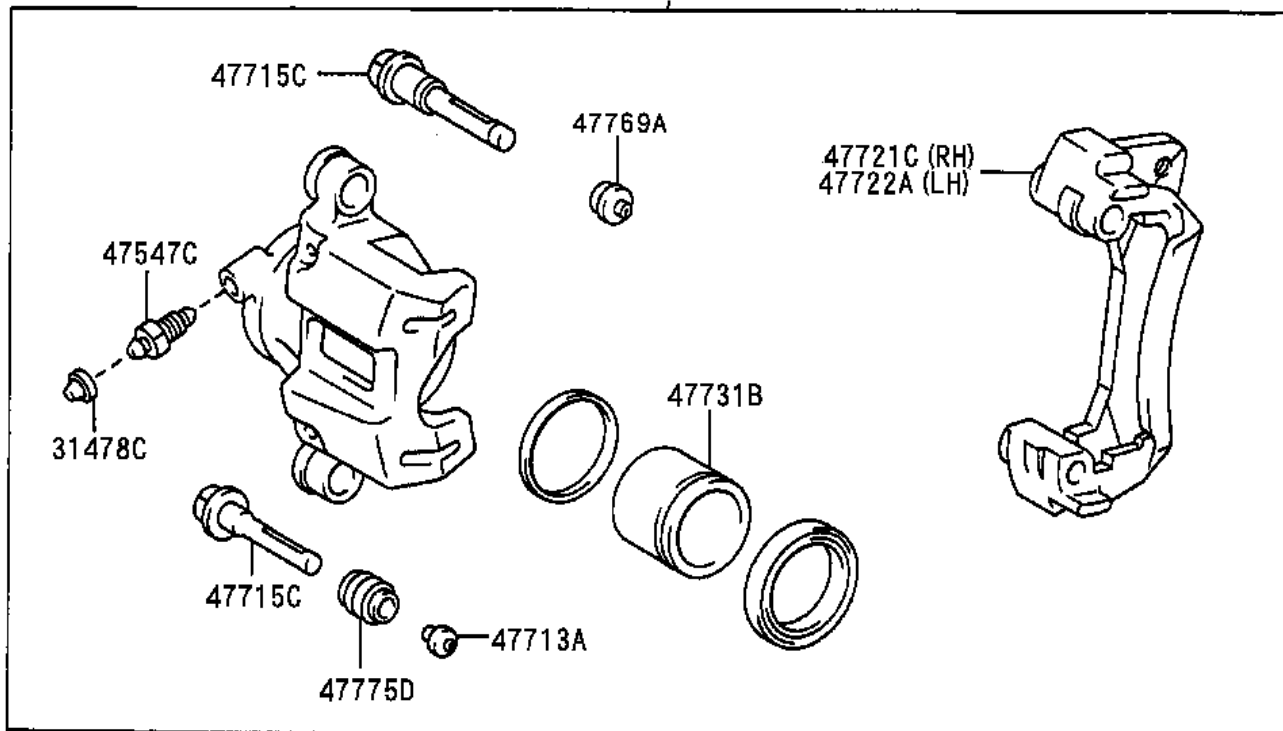
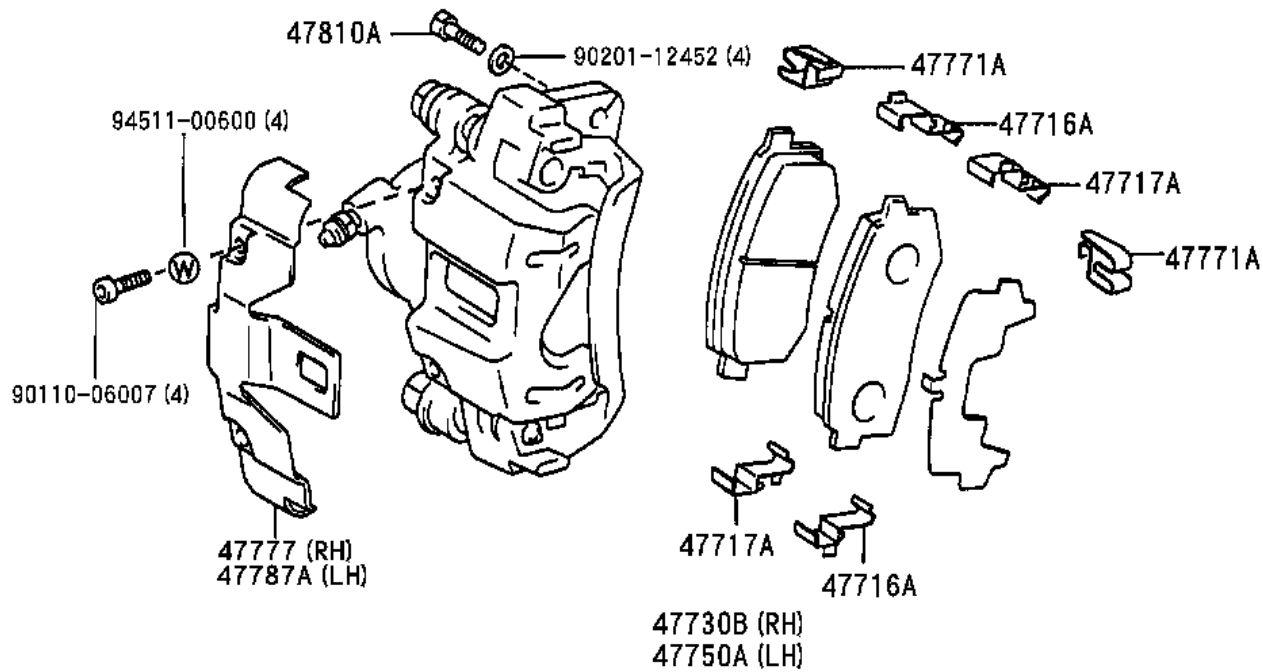
※1 { -9906 }  
※2 { 9906-



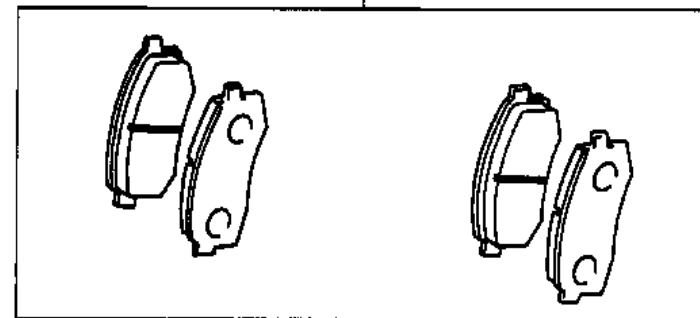


47730 (RH)  
47750 (LH)

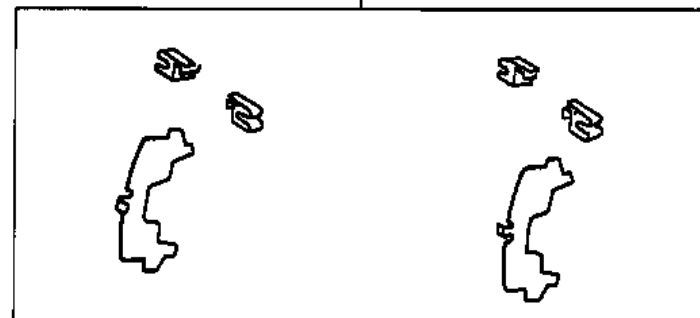




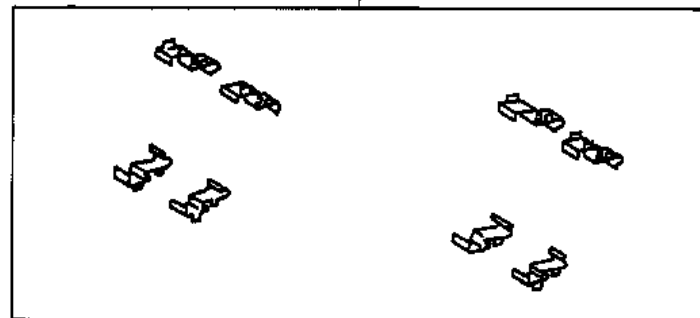
04466



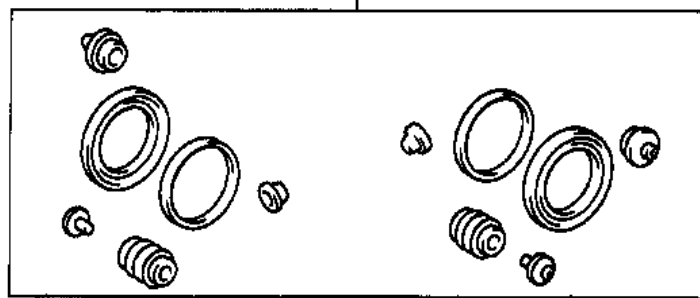
04946



04948

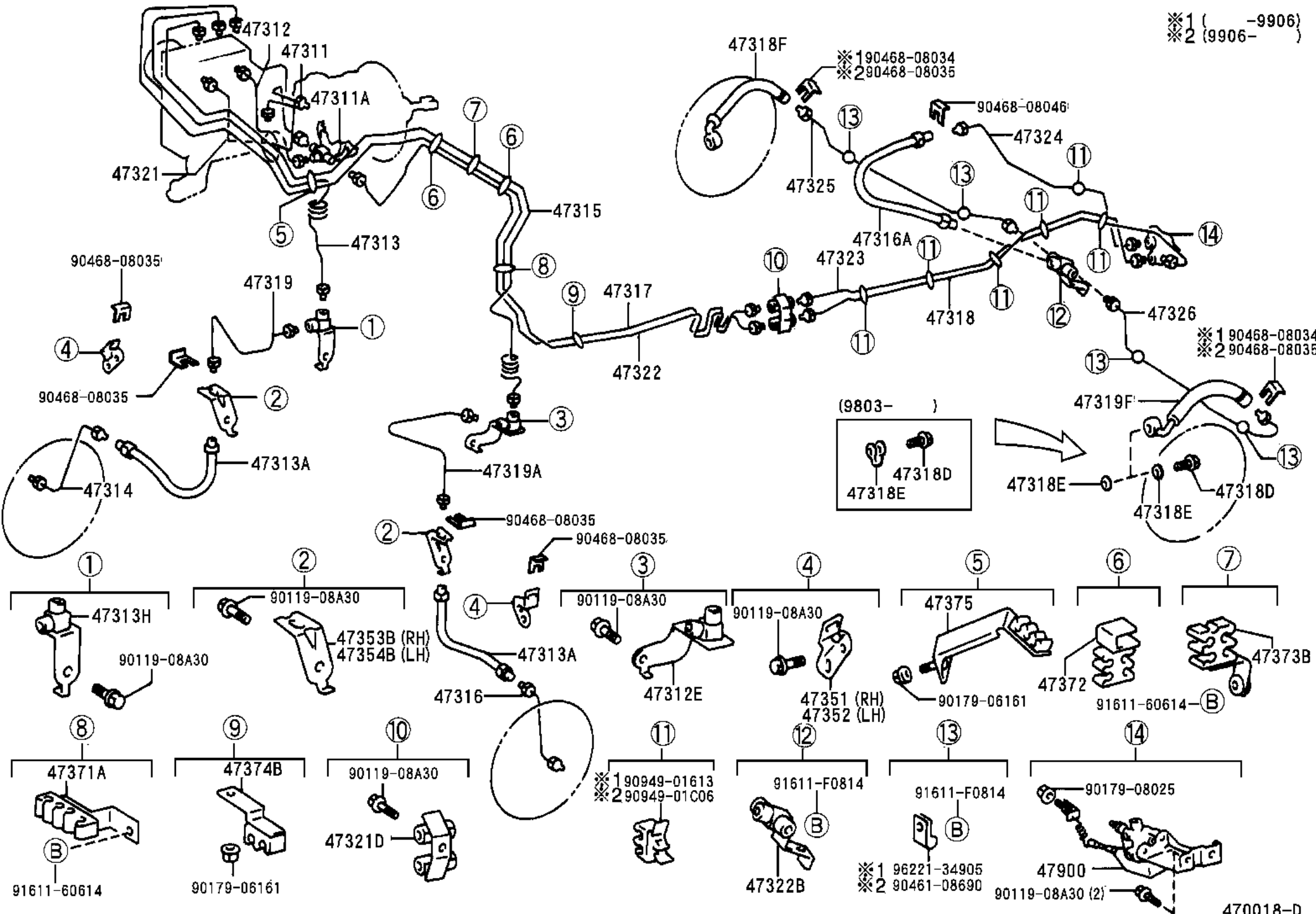


04479A

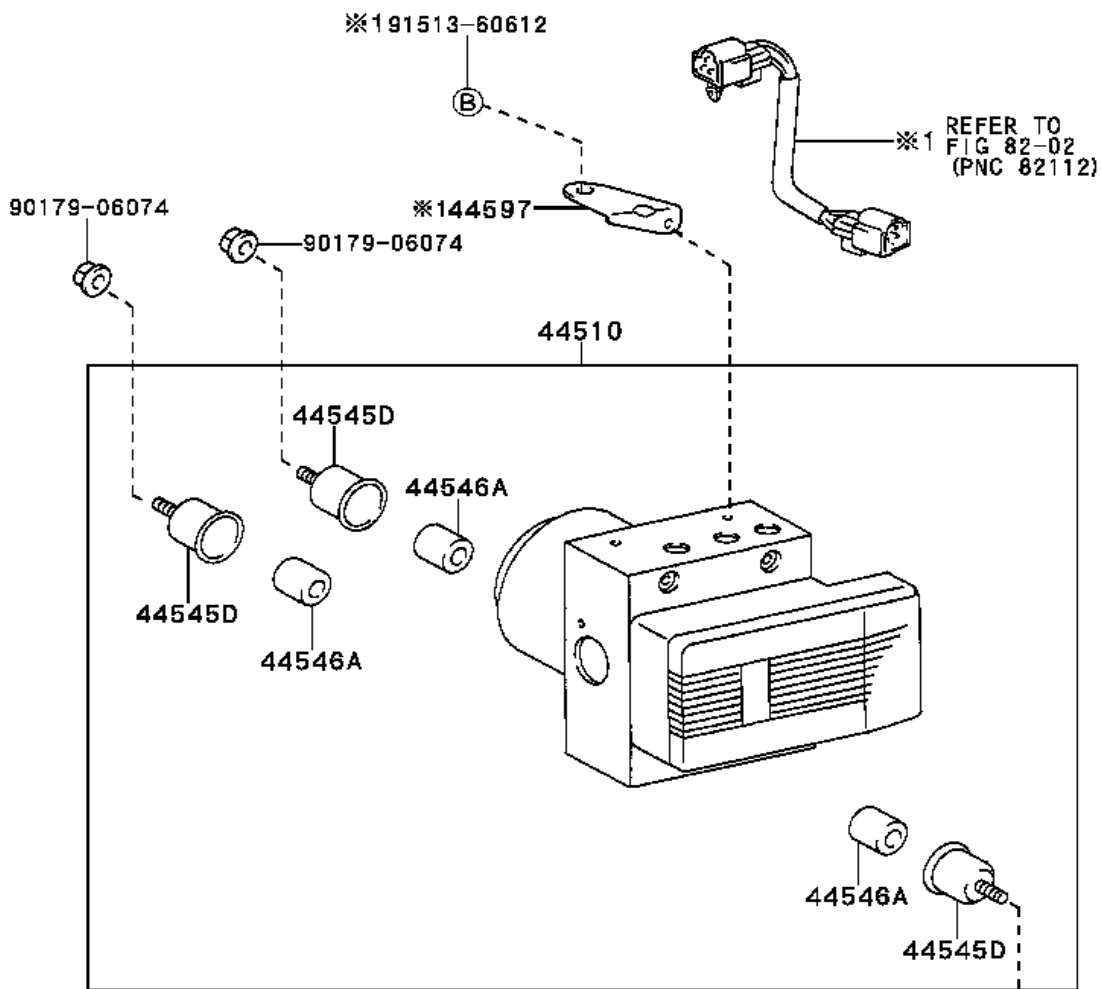




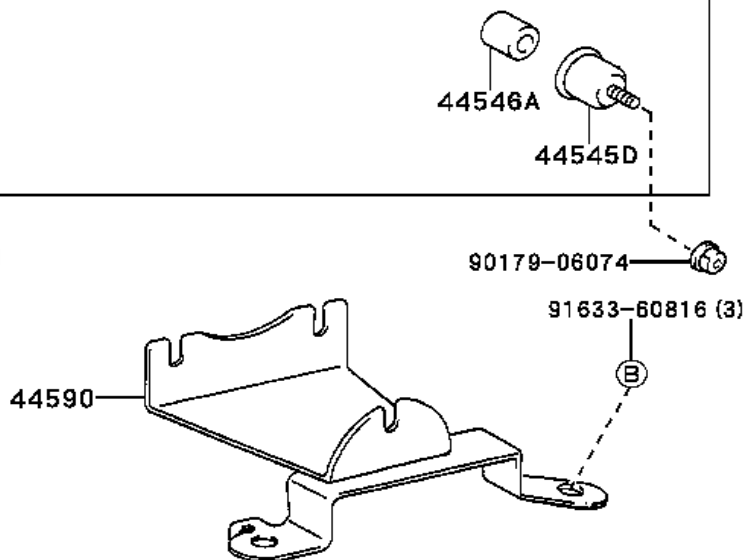
※1 ( -9906)  
 ※2 (9906- )







\*1W (CRUISE CONTROL)



48610 (RH)  
48630 (LH)

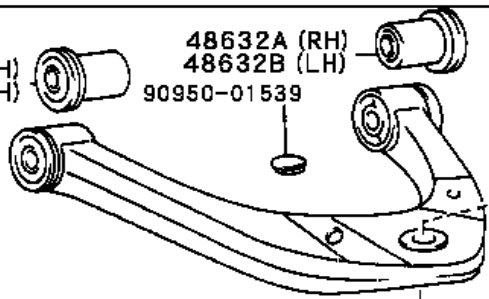
48632A (RH)  
48632B (LH)

48632A (RH)  
48632B (LH)

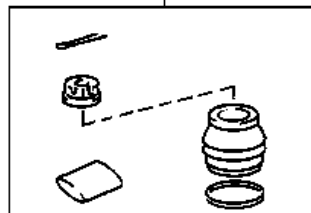
90950-01539

95381-03225 (2)

43350A (RH)  
43360A (LH)



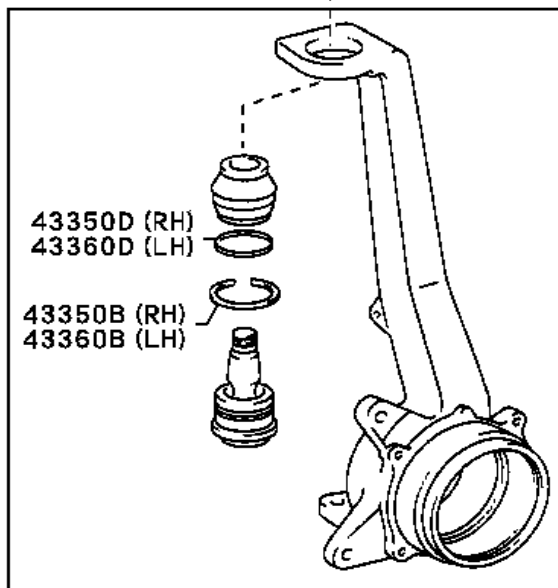
43324B (RH)  
43324C (LH)



43350D (RH)  
43360D (LH)

43350B (RH)  
43360B (LH)

43211 (RH)  
43212 (LH)



43350 (RH)  
43360 (LH)

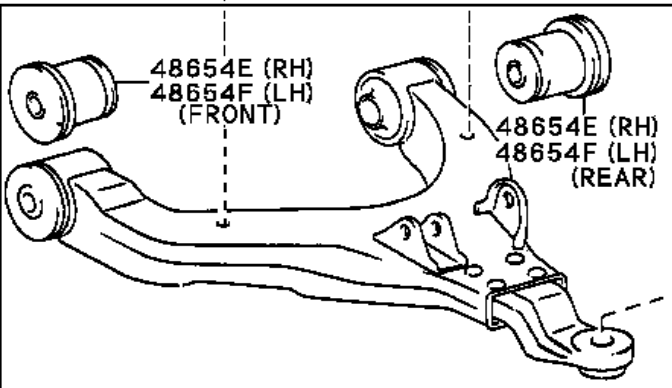
48331D (RH)  
48331E (LH)

48332B (RH)  
48332C (LH)



48654E (RH)  
48654F (LH)  
(FRONT)

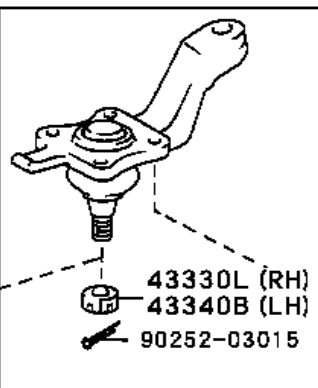
48654E (RH)  
48654F (LH)  
(REAR)



48068 (RH)  
48069 (LH)

43330L (RH)  
43340B (LH)

90252-03015



43330K (RH) 43330M (RH)  
43340A (LH) 43340C (LH)

480001-B

